



JDP-22F

DRILL PRESS

50000214T....400/50/3

PARTS LIST



JPW Tool Group Hong Kong Limited

98 Granville Road, Tsimshatsui East, Kowloon, Hong Kong,
PRC

www.jettools.com

Импортер в РФ: ООО «ИТА Технолоджи»

105082, Москва, Переведеновский пер., д. 17

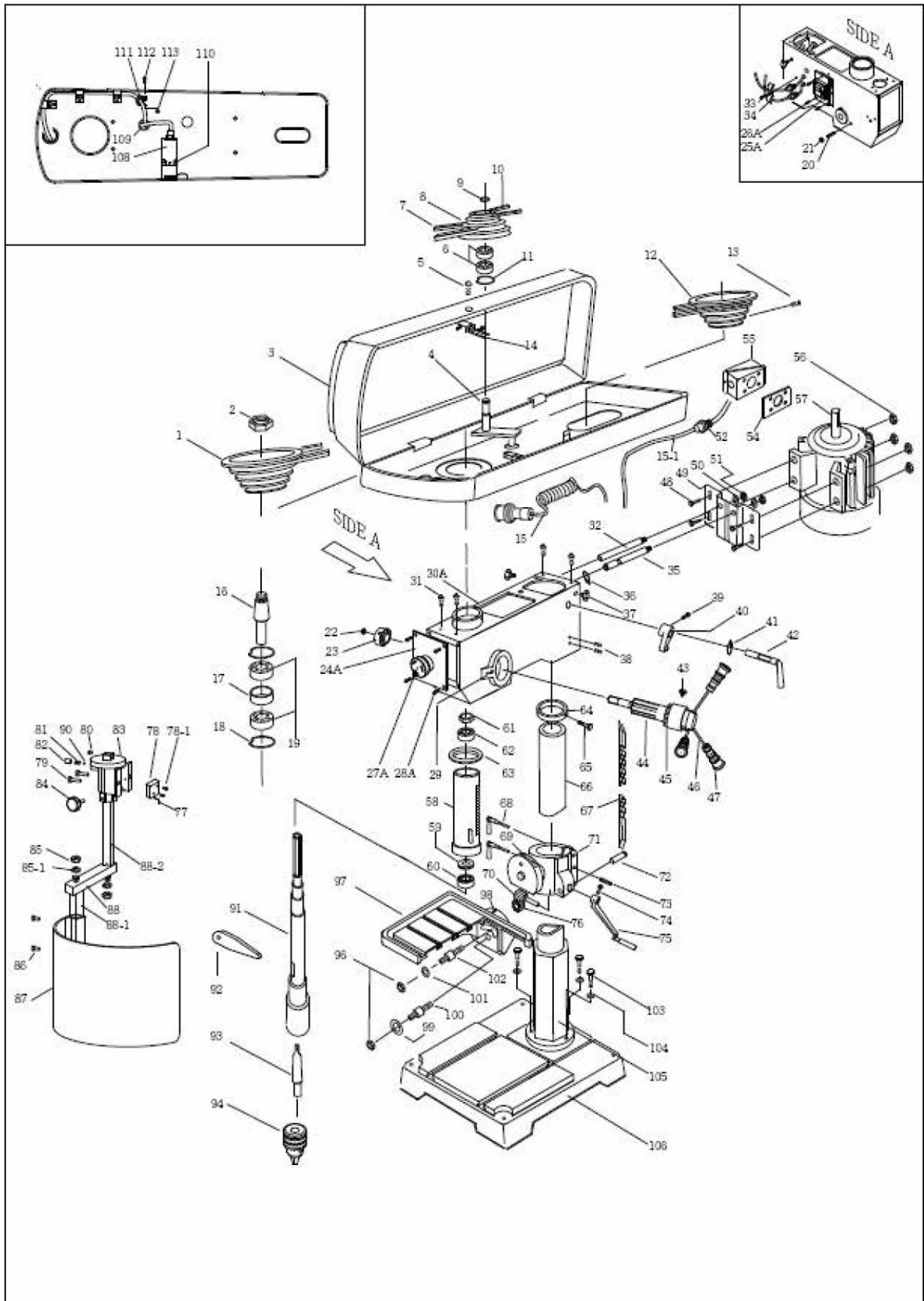
www.jettools.ru

Made in PRC / Сделано в КНР

P-50000214T

2022-09

Parts Breakdown for JDP-22F Drill Press



Parts List for JDP-22F Drill Press

Index No	Part No	Description	Size	Qty
1.....	JDP22F-001.....	Spindle Pulley.....		1
2.....	JDP22F-002.....	Nut.....	M33.....	1
3.....	JDP22F-003.....	Pulley Cover.....		1
4.....	JDP22F-004.....	Shaft.....		1
5.....	JDP22F-005.....	Screw.....	M6 x 10.....	1
6.....	JDP22F-006.....	Ball Bearing.....	BB-6203ZZ.....	2
7.....	JDP22F-007.....	V-belt.....		1
8.....	JDP22F-008.....	Center Pulley.....		1
9.....	JDP22F-009.....	Retaining Ring.....		1
10.....	JDP22F-010.....	V-belt.....		1
11.....	JDP22F-011.....	C-ring.....		1
12.....	JDP22F-012.....	Motor Pulley.....		1
13.....	JDP22F-013.....	Screw.....	M6 x 10.....	1
14.....	JDP22F-014.....	Holder.....		1
15.....	JDP22F-015.....	Power Cord with Plug.....		1
16.....	JDP22F-016.....	Cable.....		1
17.....	JDP22F-017.....	Sleeve.....		1
18.....	JDP22F-018.....	C-ring.....	φ66.....	2
19.....	JDP22F-019.....	Ball Bearing.....	BB-6007ZZ.....	2
20.....	JDP22F-020.....	Screw.....	M8 x 34.....	1
21.....	JDP22F-021.....	Nut.....	M8.....	1
22.....	JDP22F-022.....	Nut.....	M12.....	1
23.....	JDP22F-023.....	Return Spring.....		1
24A.....	JDP22F-024.....	Plate.....		1
25A.....	JDP22F-025.....	ON/OFF Switch.....		1
26A.....	JDP22F-026.....	Screw.....	M4 x 10.....	3
27A.....	JDP22F-027.....	Emergency Stop Switch.....		1
28A.....	JDP22F-028.....	Screw.....	M5 x 10.....	4
29.....	JDP22F-029.....	Arrow.....		1
30A.....	JDP22F-030.....	Head Housing.....		1
31.....	JDP22F-031.....	Screw.....	M6 x10.....	4
32.....	JDP22F-032.....	Bar.....		1
33.....	JDP22F-033.....	Screw.....	M5 x 10.....	1
34.....	JDP22F-034.....	Hose Clip.....		1
35.....	JDP22F-035.....	Bar.....		1
36.....	JDP22F-036.....	Retaining Ring.....		1
37.....	JDP22F-037.....	Set Screw.....	M10 x 32.....	2
38.....	JDP22F-038.....	Screw.....	M10 x 12.....	2
39.....	JDP22F-039.....	Screw.....	M10 x 12.....	1
40.....	JDP22F-040.....	Handle.....		1
41.....	JDP22F-041.....	Seeger Ring.....	φ14.....	1

42.....	JDP22F-042.....	Locking Handle.....		1
43.....	JDP22F-043.....	Set Screw.....	M8x25.....	1
44.....	JDP22F-044.....	Transverse Shaft.....		1
45.....	JDP22F-045.....	Depth Adjustment Ring.....		1
46.....	JDP22F-046.....	Handle Bar.....		3
47.....	JDP22F-047.....	Handle.....		3
48.....	JDP22F-048.....	Screw.....	M8x25.....	4
49.....	JDP22F-049.....	Motor Plate.....		1
50.....	JDP22F-050.....	Washer.....	φ8.....	2
51.....	JDP22F-051.....	Nut.....	M8.....	2
52.....	JDP22F-052.....	Cable Grommet.....		3
53.....	JDP22F-053.....	Motor Assembly.....	400V, 50Hz.....	1
54.....	JDP22F-054.....	Seal.....		1
55.....	JDP22F-055.....	Motor Junction Box.....		1
56.....	JDP22F-056.....	Nut.....	M8.....	4
57.....	JDP22F-057.....	Motor.....		1
58.....	JDP22F-058.....	Spindle Sleeve.....		1
59.....	JDP22F-059.....	Thrust Bearing.....	TBB-51107.....	1
60.....	JDP22F-060.....	Ball Bearing.....	BB-6007ZZ.....	1
61.....	JDP22F-061.....	Nut.....	1/2.....	1
62.....	JDP22F-062.....	Ball Bearing.....	BB-6005ZZ.....	1
63.....	JDP22F-063.....	Rubber Seal.....		1
64.....	JDP22F-064.....	Locking Ring.....		1
65.....	JDP22F-065.....	Screw.....	M6x16.....	1
66.....	JDP22F-066.....	Column.....		1
67.....	JDP22F-067.....	Rack.....		1
68.....	JDP22F-068.....	Locking Handle.....		1
69.....	JDP22F-069.....	Scale.....		1
70.....	JDP22F-070.....	Worm.....		1
71.....	JDP22F-071.....	Flange.....		1
72.....	JDP22F-072.....	Pin.....		1
73.....	JDP22F-073.....	Screw.....	M12x50.....	1
74.....	JDP22F-074.....	Screw.....	M8x16.....	1
75.....	JDP22F-075.....	Handle.....		1
76.....	JDP22F-076.....	Gear.....		1
77.....	JDP22F-077.....	Cable.....		1
78.....	JDP22F-078.....	Micro Switch.....		1
78-1.....	JDP22F-078A.....	Screw.....	M3x16.....	2
79.....	JDP22F-079.....	Screw.....	M5x20.....	2
80.....	JDP22F-080.....	Screw.....	M5x8.....	1
81.....	JDP22F-081.....	Retaining Ring.....	φ7.....	1
82.....	JDP22F-082.....	Screw.....	M10x12.....	1
83.....	JDP22F-083.....	Bracket.....		1
84.....	JDP22F-084.....	Screw.....	M6x16.....	1

85.....	JDP22F-085.....	Nut.....	2
85-1.....	JDP22F-085A.....	Washer.....	2
86.....	JDP22F-086.....	Screw..... M4x12.....	2
87.....	JDP22F-087.....	Chuck Guard.....	1
88.....	JDP22F-088.....	Rod.....	1
88-1.....	JDP22F-088A.....	Chuck Guard Support (lower).....	1
88-2.....	JDP22F-088B.....	Chuck Guard Support (up).....	1
90.....	JDP22F-090.....	Ball.....	1
91.....	JDP22F-091.....	Spindle.....	1
92.....	JDP22F-092.....	Drift Key.....	1
93.....	JDP22F-093.....	Taper..... MT-3.....	1
94.....	JDP22F-094.....	Keyless Chuck..... B16.....	1
96.....	JDP22F-096.....	Nut..... M16.....	2
97.....	JDP22F-097.....	Table.....	1
98.....	JDP22F-098.....	Arrow.....	1
99.....	JDP22F-099.....	Washer..... ϕ 16x32.....	1
100.....	JDP22F-100.....	Pin..... M16x82.....	1
101.....	JDP22F-101.....	Washer..... ϕ 16x38.....	1
102.....	JDP22F-102.....	Pin..... M16x82.....	1
103.....	JDP22F-103.....	Screw..... M12x50.....	4
104.....	JDP22F-104.....	Washer..... ϕ 12.....	4
105.....	JDP22F-105.....	Base Flange.....	1
106.....	JDP22F-106.....	Base.....	1
108.....	JDP22F-108.....	Micro Switch.....	1
109.....	JDP22F-109.....	Cable Grommet.....	1
110.....	JDP22F-110.....	Screw..... M4x30.....	2
111.....	JDP22F-111.....	Nut..... M4.....	4
112.....	JDP22F-112.....	Screw..... M4x10.....	4
113.....	JDP22F-113.....	Clamp.....	4

Wiring Diagram

JDP-22F.....5000214T

Index No.	Function	Specifications	Qty.	Manufacturer	Remarks
XP	Power plug	400V, 10-1A	1		SEV
	Power cord	H05VV-F4G 1.0mm ²	1		
SB 1	Pushbutton "Start"	AC 400V/7.5A	1	KEDU JD3	IEC 60947-5-1
SB 2	Pushbutton "Stop"	AC 400V/7.5A	1	KEDU JD3	IEC 60947-5-1
SB 3	Micro switch "Cover"	AC 230V/15.1A	1	DEFONDAMC 1215	EN 60947-5.1
SB 4	Micro switch "Protection"	AC 230V	1	SHIN02 AZE-S11	EN60947-5.1
M	Function.....	DC 400V/ 0.75kW	1		
K1	Relay	AC 400V/10A	1	JD3	
K2	Relay	AC 400V/10A	1	JD2	
PE	Function		1		

