



MBS-1416VDAS Metal Band saw

**MBS-1416VDAS... 50000447T
3~400V, 50Hz**

PARTS LIST

JPW Tool Group Hong Kong Limited

98 Granville Road, Tsimshatsui East, Kowloon, Hong Kong, PRC
www.jettools.com

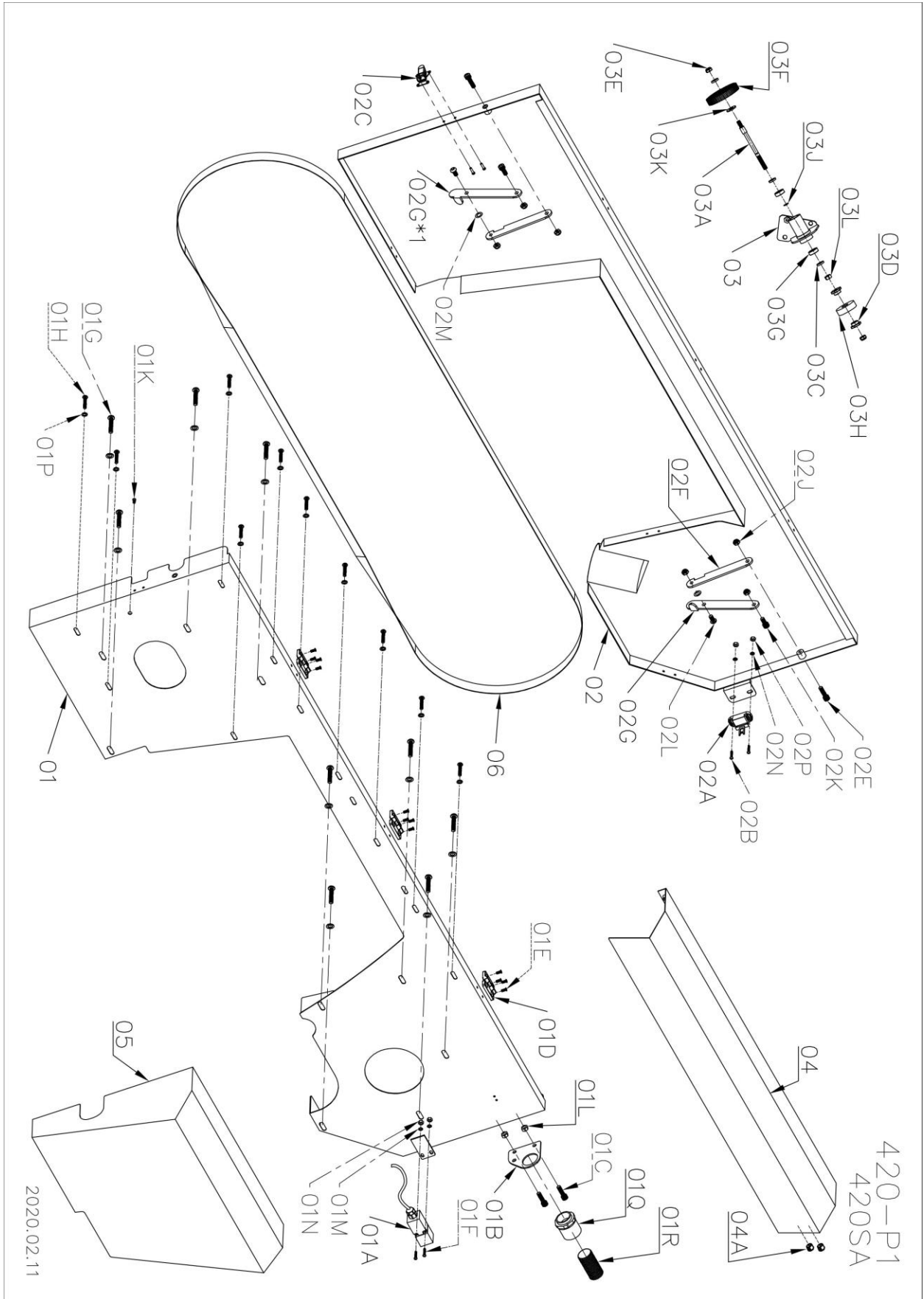
Импортер в РФ: ООО «ИТА Технолоджи»

105082, Москва, Переведеновский пер., д. 17
www.jettools.ru



Made in Taiwan / Сделано на Тайване

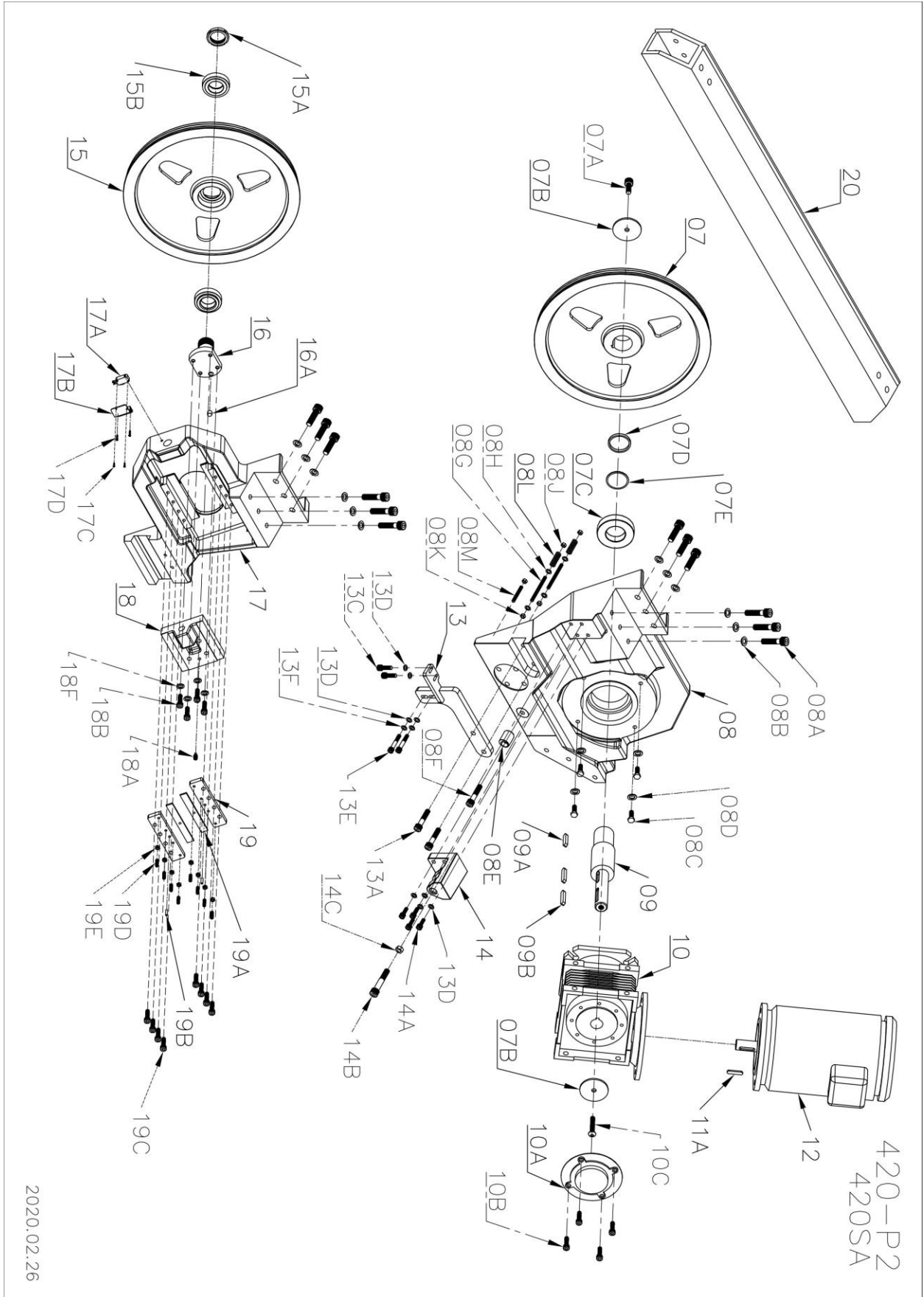
Breakdown for the MBS1416VDAS Bow Assembly



2020.02.11

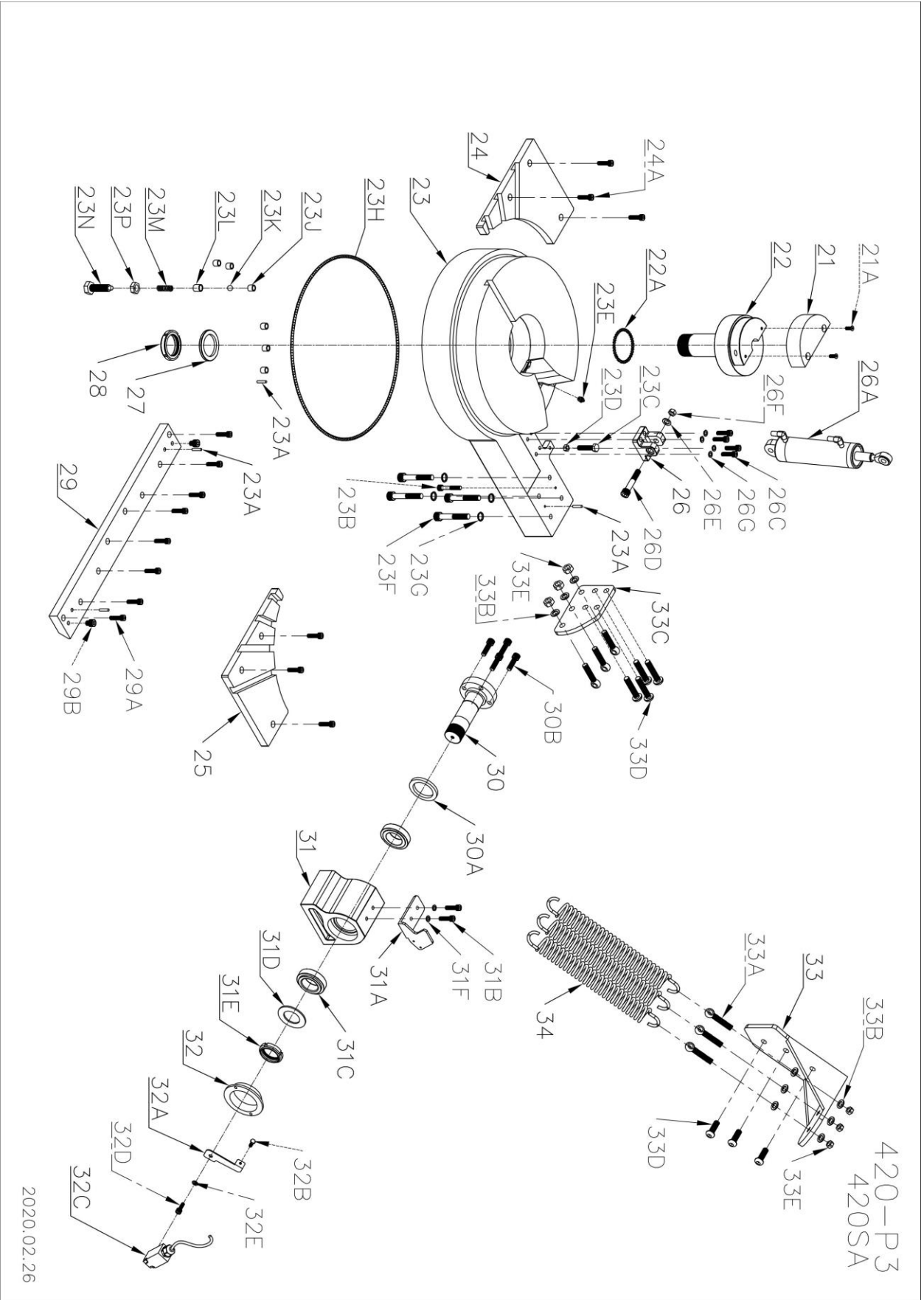
420-P1
420SA

Breakdown for the MBS1416VDAS Bow Assembly

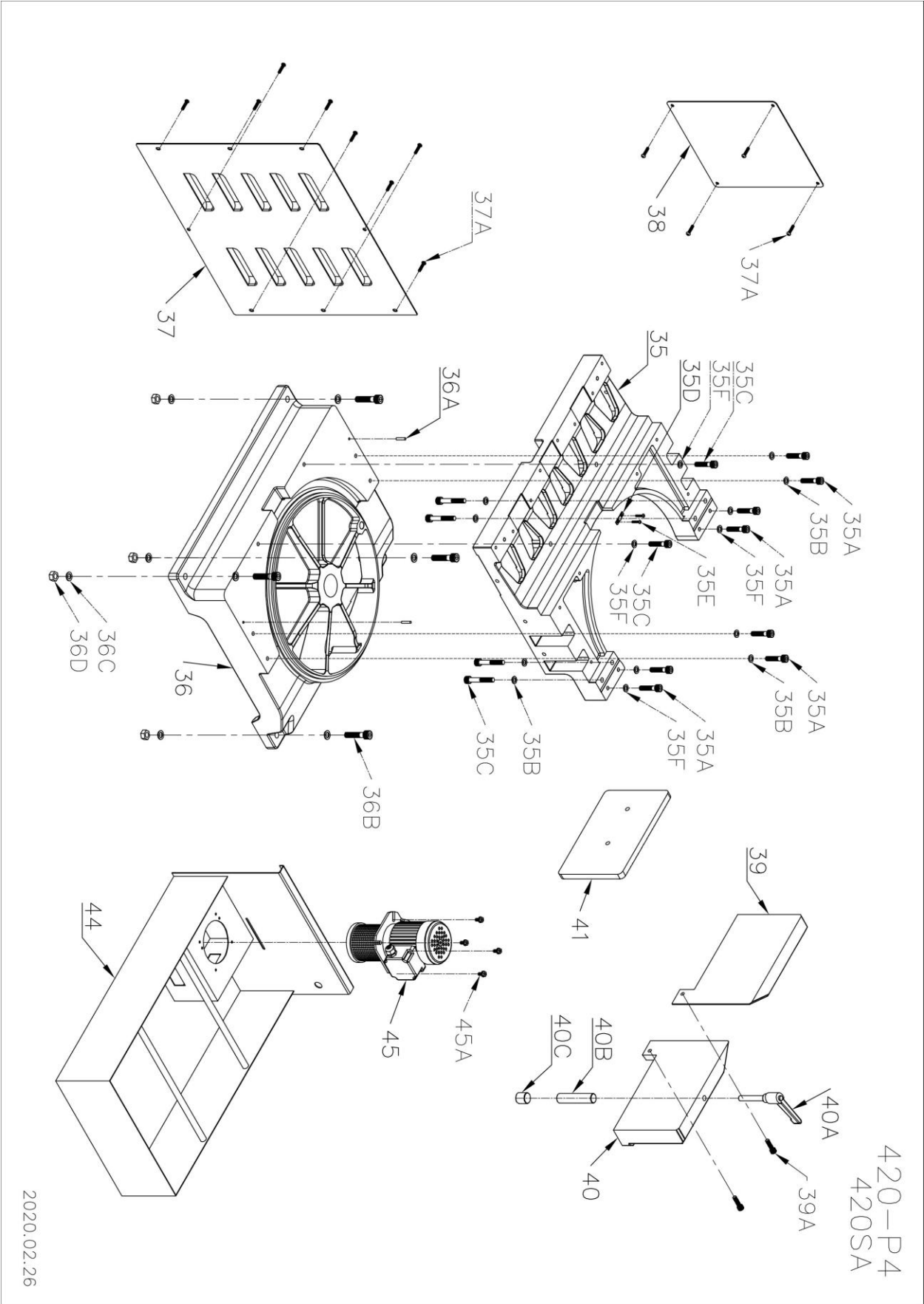


2020.02.26

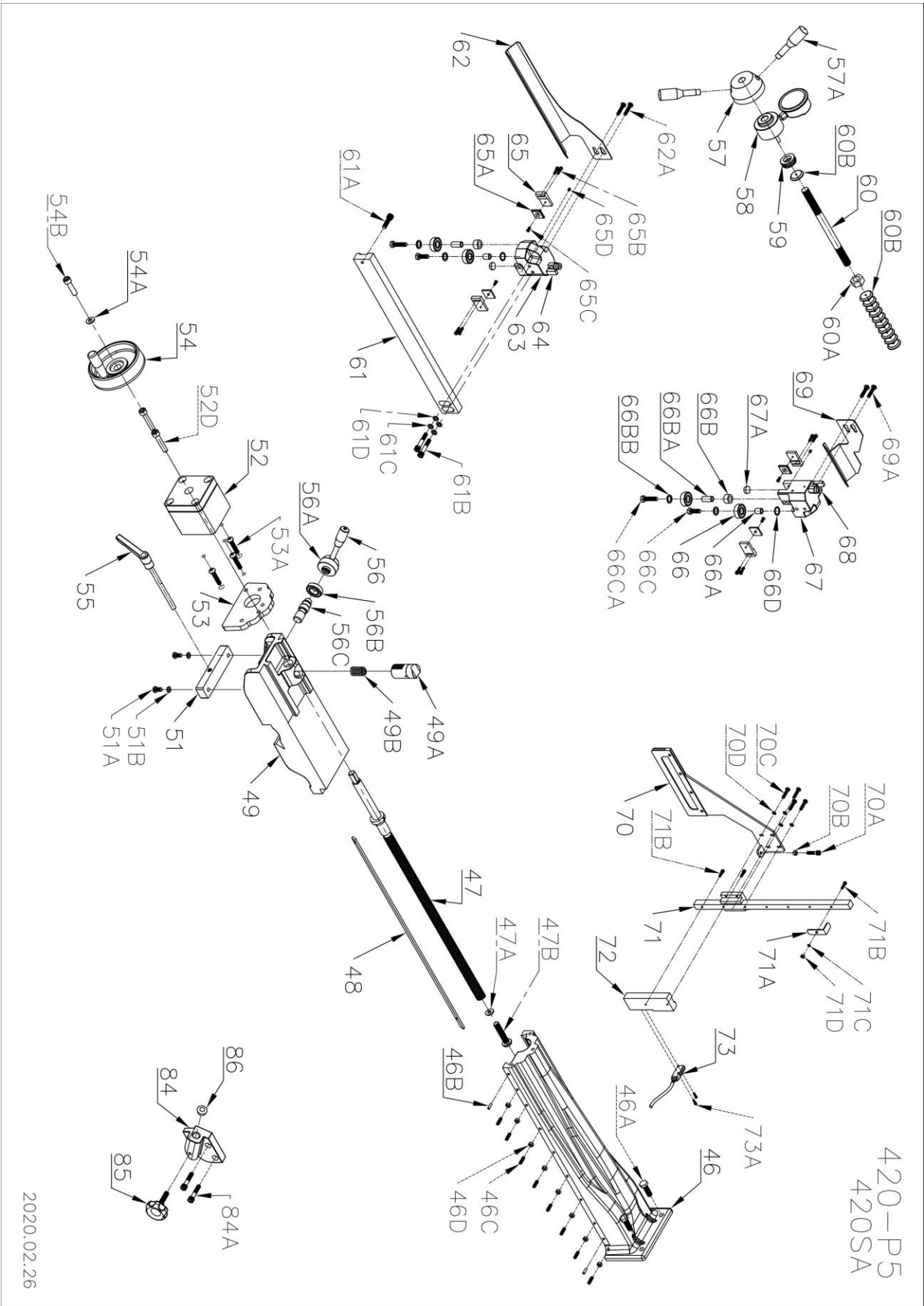
Breakdown for the MBS1416VDAS Swivel seat Assembly



Breakdown for the MBS1416VDAS Transmission Base Assembly

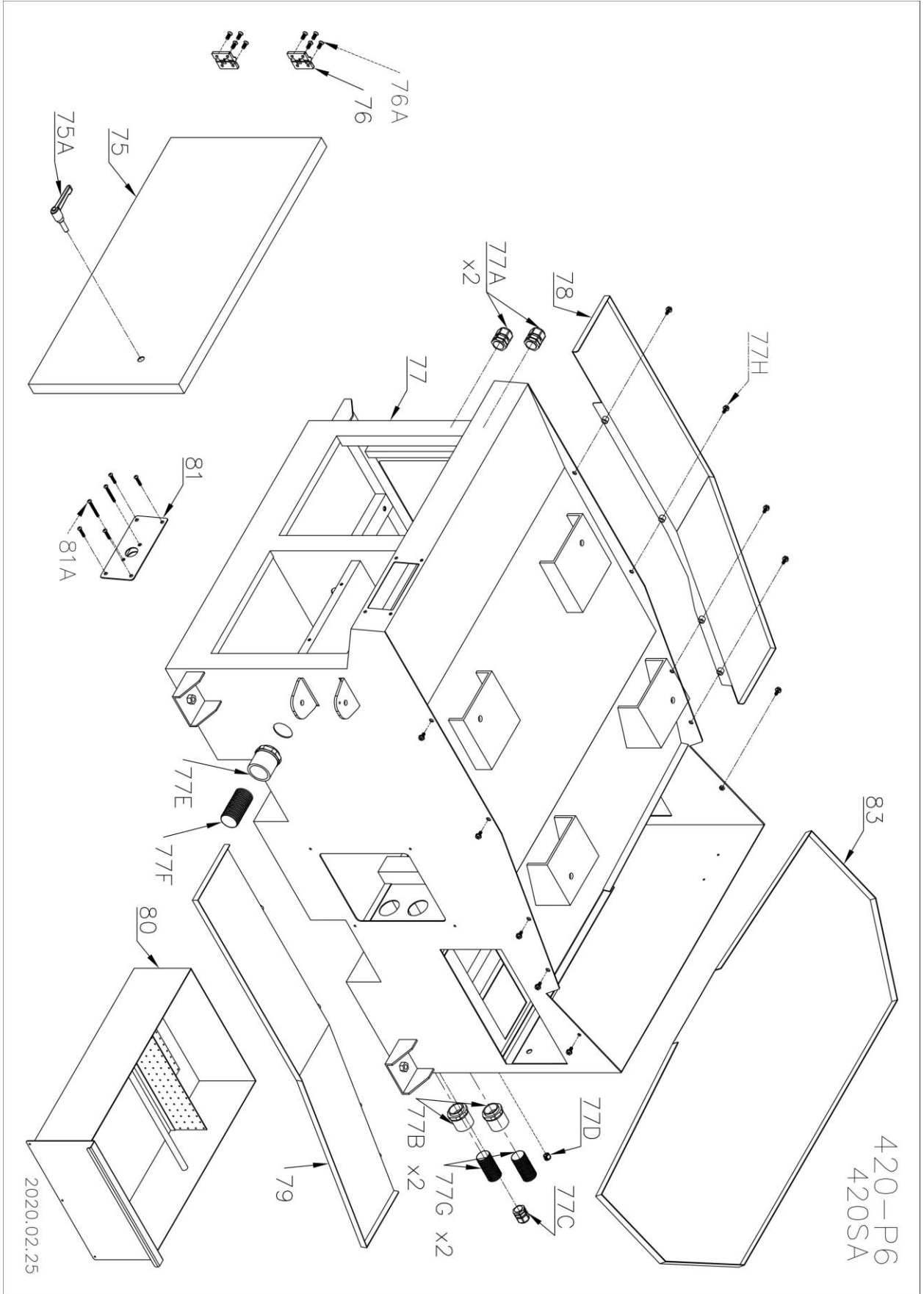


Breakdown for the MBS1416VDAS Vise Assembly



420-P5
420SA

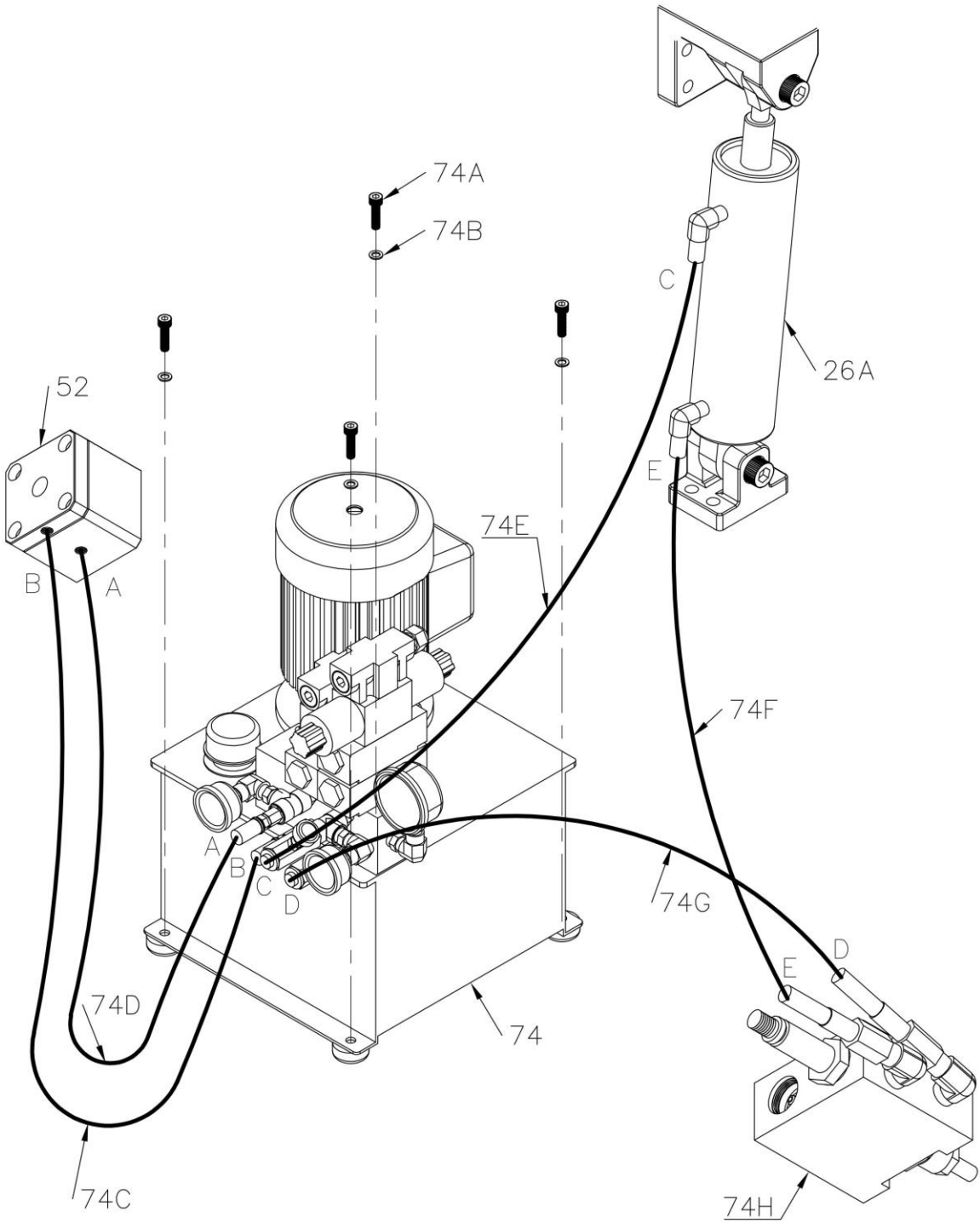
Breakdown for the MBS1416VDAS Base Assembly



2020.02.25

Breakdown for the MBS1416VDAS Pump Assembly

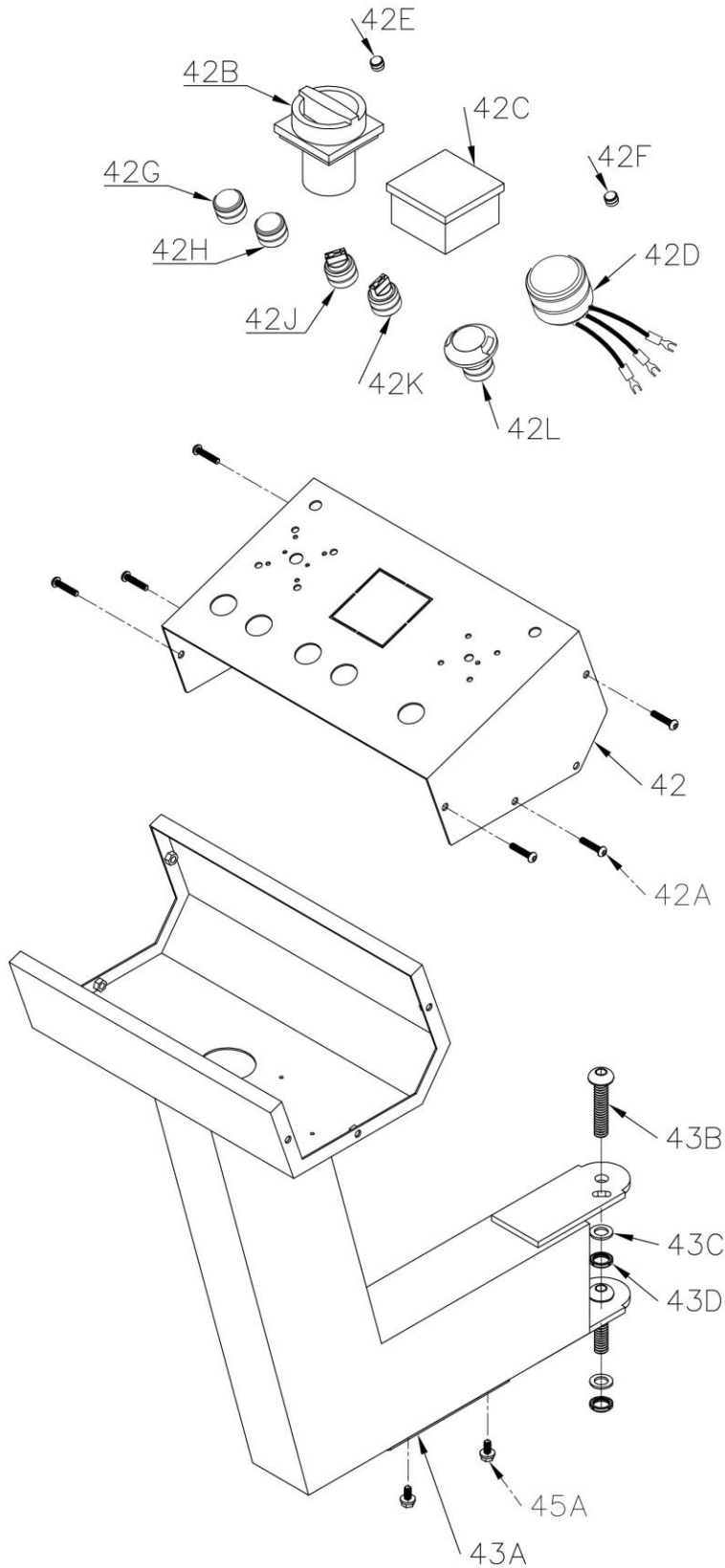
420-P7
420SA



2020.02.18

Breakdown for the MBS1416VDAS Vise Assembly

420-P8
420SAI



2020.02.27

Parts List for the MBS1416VDAS

Index No.	Part No.	Description	Size	Qty.
1.....	MBS1416VDAS-001	Cover(Saw bow)		1
01A	MBS1416VDAS-001A	limit Switch		1
01B	MBS1416VDAS-001B	Wire fixing plate		1
01C	MBS1416VDAS-001C	Socket Head Cap Screw	M8x16	2
01D	MBS1416VDAS-001D	Zinc alloy hinge	AZ-2510B	3
01E	MBS1416VDAS-001E	Screw	M6x16	12
01F.....	MBS1416VDAS-001F	Socket Head Cap Screw	M4x30	2
01G	MBS1416VDAS-001G	Socket Head Cap Screw	M8x12	9
01H	MBS1416VDAS-001H	Socket Head Cap Screw	M6x12	10
01K	MBS1416VDAS-001K	Screw	M4x12	1
01L.....	MBS1416VDAS-001L	Nut	M4	2
01M.....	MBS1416VDAS-001M	Washer	M6	2
01N	MBS1416VDAS-001N	Nut		2
01P	MBS1416VDAS-001P	Washer		10
2.....	MBS1416VDAS-002	Cover		1
02A	MBS1416VDAS-002A	Switch holder		1
02B	MBS1416VDAS-002B	Cap Screw	M4x15	1
02C	MBS1416VDAS-002C	Fixed hook		1
02D	MBS1416VDAS-002D	Rivet		20
02E	MBS1416VDAS-002E	Hex. Socket Head Screw	M8X35	2
02F.....	MBS1416VDAS-002F	Crank support		2
02G	MBS1416VDAS-002G	Crank support		1
02G-1...	MBS1416VDAS-002G-1	Crank support	20x25	1
02J.....	MBS1416VDAS-002J	Nut	M8	6
02K	MBS1416VDAS-002K	Hex. Socket Head Screw	M8x25	2
02L.....	MBS1416VDAS-002L	Hex. Socket Head Screw	M8x20	2
02M.....	MBS1416VDAS-002M	Washer	M8x0.5t	2
02N	MBS1416VDAS-002N	Washer	M4	2
02P	MBS1416VDAS-002P	Nut	M4	2
3.....	MBS1416VDAS-003	Brush Assembly		1
03A	MBS1416VDAS-003A	Brown Brush Spindle Screw	M8	1
03C	MBS1416VDAS-003C	Gasket	1.5Tx16x8.3	3
03D	MBS1416VDAS-003D	Rubber Holder		2
03E	MBS1416VDAS-003E	Nut	M8	2
03F.....	MBS1416VDAS-003F	Metal Wire Brush		1
03G	MBS1416VDAS-003G	Bearing	6082RS	1
03H	MBS1416VDAS-003H	PU Gasket		2
03J.....	MBS1416VDAS-003J	C Ring		1
03K	MBS1416VDAS-003K	Gasket	2T*23*10.5	1
03L.....	MBS1416VDAS-003L	Nut	M8	1
4.....	MBS1416VDAS-004	Upper Cover		1
04A	MBS1416VDAS-004A	Hollow Bolt		2
5.....	MBS1416VDAS-005	Upper Cover(left)		1
6.....	MBS1416VDAS-006	Saw Blade		1
7.....	MBS1416VDAS-007	Driving Wheel		1
07A	MBS1416VDAS-007A	Socket Head Cap Screw	M12*30	1
07B	MBS1416VDAS-007B	Spindle Bearing Gasket	4T*60*12.5	2
07C	MBS1416VDAS-007C	Spindle Bearing		1
07D	MBS1416VDAS-007D	Gasket	6T*56*45.5	1
07E	MBS1416VDAS-007E	Gasket	2T*56*45.5	1

Parts List for the MBS1416VDAS

Index No.	Part No.	Description	Size	Qty.
8	MBS1416VDAS-008	Saw Bow(Right)		1
08A	MBS1416VDAS-008A	Socket Head Cap Screw	M12x35	12
08B	MBS1416VDAS-008B	Washer	M12	12
08C	MBS1416VDAS-008C	Screw		4
08D	MBS1416VDAS-008D	Washer	M10	4
08E	MBS1416VDAS-008E	Height Fixing Sleeve	M10	1
08F	MBS1416VDAS-008F	Socket Head Cap Screw	M10x30	1
08G	MBS1416VDAS-008G	Socket Head Flat Screw	M8*90	2
08H	MBS1416VDAS-008H	Washer	M8	4
08J	MBS1416VDAS-008J	Nut	M8	2
08K	MBS1416VDAS-008K	Nut		3
08L	MBS1416VDAS-008L	Spring		2
08M	MBS1416VDAS-008M	Socket Head Flat Screw	M8x35L	1
9	MBS1416VDAS-009	Driving wheel mandrel	53*74	1
09A	MBS1416VDAS-009A	Key		1
09B	MBS1416VDAS-009B	Key		2
10	MBS1416VDAS-010	Gear box (including flange)	FCNDK090	1
10A	MBS1416VDAS-010A	Flange Cover		1
10B	MBS1416VDAS-010B	Socket Head Cap Screw		4
11A	MBS1416VDAS-011A	Key	6*6*30	1
12	MBS1416VDAS-012	Motor		1
13	MBS1416VDAS-013	Saw band fixing plate		1
13A	MBS1416VDAS-013A	Socket Head Cap Screw	M10*30	2
13B	MBS1416VDAS-013B	Washer	M10	2
13C	MBS1416VDAS-013C	Socket Head Cap Screw		2
13D	MBS1416VDAS-013D	Washer		8
13E	MBS1416VDAS-013E	Socket Head Cap Screw	M8*35	2
13F	MBS1416VDAS-013F	Spring Washer		6
14	MBS1416VDAS-014	Cylinder Support Shaft		1
14A	MBS1416VDAS-014A	Socket Head Cap Screw	M8*30L	1
14B	MBS1416VDAS-014B	Socket Head Cap Screw	M12*65L	1
14C	MBS1416VDAS-014C	Nut	M12	1
15	MBS1416VDAS-015	Driven wheel		1
15A	MBS1416VDAS-015A	Nylon Nut		1
15B	MBS1416VDAS-015B	Roller bearing		2
16	MBS1416VDAS-016	Driven wheel mandrel	80x74	1
16A	MBS1416VDAS-016A	Bar	10x10	1
17	MBS1416VDAS-017	Saw Bow		1
17A	MBS1416VDAS-017A	Switch		1
17B	MBS1416VDAS-017B	Switch		2
17C	MBS1416VDAS-017C	Socket Head Cap Screw	M3x12L	2
17D	MBS1416VDAS-017D	Socket Head Cap Screw	M4x8L	1
18	MBS1416VDAS-018	Slider		1
18A	MBS1416VDAS-018A	Socket Head Cap Screw	M8x20L	1
18B	MBS1416VDAS-018B	Socket Head Cap Screw	M8x40L	4
19	MBS1416VDAS-019	Slider plate		1
19A	MBS1416VDAS-019	Slide fixing Plate		2
19B	MBS1416VDAS-019B	Spring Pin		8
19C	MBS1416VDAS-019C	Socket Head Cap Screw		8
19D	MBS1416VDAS-019D	Socket Head Flat Screw		8
19E	MBS1416VDAS-019E	Nut	M6	8
20	MBS1416VDAS-020	Connecting Rod	M8 x 20	1

Parts List for the MBS1416VDAS

Index No.	Part No.	Description	Size	Qty.
21	MBS1416VDAS-21	Rotary Seat Center Cover		1
21A	MBS1416VDAS-021A	Screw		2
22	MBS1416VDAS-022	Fixed mandrel		1
22A	MBS1416VDAS-02A	Steel needle		38
23	MBS1416VDAS-023	Swivel seat		1
23A	MBS1416VDAS-023A	Bolt	Ø8x25L	4
23B	MBS1416VDAS-023B	Socket Head Cap Screw	M8X25L	1
23C	MBS1416VDAS-023C	Screw	M10x40L	1
23D	MBS1416VDAS-023D	Nut	M10	1
23E	MBS1416VDAS-023E	Nozzle		1
23F	MBS1416VDAS-023F	Socket Head Cap Screw	M12x30	4
23G	MBS1416VDAS-023G	Spring Washer	M12	4
23H	MBS1416VDAS-023H	Steel Ball	Ø6x6	210
23J	MBS1416VDAS-023J	Steel Sleeve	Ø10*Ø14*12	6
23K	MBS1416VDAS-023K	Steel ball	Ø12	1
23L	MBS1416VDAS-023L	Steel Sleeve	Ø12*Ø16*12	1
23M	MBS1416VDAS-023M	Base Spring	30*1.6*2.8	6
23N	MBS1416VDAS-023N	Nut	M14*50L	1
23P	MBS1416VDAS-023P	Nut	M14x8T	1
24	MBS1416VDAS-024	Vise Support plate(left)		1
24A	MBS1416VDAS-024A	Hex Cap Screw	M8x25	6
25	MBS1416VDAS-025	Support plate		1
26	MBS1416VDAS-026	Bracket		1
26A	MBS1416VDAS-026A	Hydraulic cylinder		1
26C	MBS1416VDAS-026C	Socket Head Cap Screw	M8x35L	8
26D	MBS1416VDAS-126D	Socket Head Cap Screw	M10x30L	2
26E	MBS1416VDAS-26E	Washer	M12	1
26F	MBS1416VDAS-26F	Nut	M12	1
26G	MBS1416VDAS-26G	Spring Washer	M8	4
27	MBS1416VDAS-027	Gasket	Ø75xØ51*4T	1
28	MBS1416VDAS-028	Nylon Nut		1
29	MBS1416VDAS-029	Vise Slider	65*25*620	1
29A	MBS1416VDAS-029A	Socket Head Cap Screw	M8*35L	8
29B	MBS1416VDAS-029B	Socket Head Cap Screw	M10*20L	4
30	MBS1416VDAS-030	Connecting shaft		1
30A	MBS1416VDAS-030A	Oil seal		1
30B	MBS1416VDAS-030B	Socket Head Cap Screw		4
31	MBS1416VDAS-031	Connecting seat		1
31A	MBS1416VDAS-031A	Switch		1
31B	MBS1416VDAS-031B	Socket Head Cap Screw		2
31C	MBS1416VDAS-031C	Bearing		2
31D	MBS1416VDAS-031D	Washer	3T*Ø67.5*Ø41	1
31E	MBS1416VDAS-031E	Nut	M40	1
31F	MBS1416VDAS-031F	Washer	M8	2
32	MBS1416VDAS-032	Fixed sleeve		2

Parts List for the MBS1416VDAS

Index No.	Part No.	Description	Size	Qty.
32A	MBS1416VDAS-032A	Switch		3
32B	MBS1416VDAS-032B	Hex Cap Screw	M6*16	2
32C	MBS1416VDAS-032C	Limit Switch		1
32D	MBS1416VDAS-032D	Socket Head Cap Screw	M8x16	1
32E	MBS1416VDAS-032E	Washer	M8	1
33	MBS1416VDAS-033	Spring Fixed seat		1
33A	MBS1416VDAS-033A	Spring Screw	M12*55L	6
33B	MBS1416VDAS-033B	Washer	M12	1
33C	MBS1416VDAS-033C	Washer	?	1
33D	MBS1416VDAS-033D	Socket Head Cap Screw	M12*30	3
33E	MBS1416VDAS-033E	Nut	M12	1
34	MBS1416VDAS-034	Spring	Ø5*Ø35*163L	1
35	MBS1416VDAS-035	Upper Base		1
35A	MBS1416VDAS-035A	Socket Head Cap Screw	M10*40L	1
35B	MBS1416VDAS-035B	Washer	M10	6
35C	MBS1416VDAS-35C	Socket Head Cap Screw	M10*60L	1
35D	MBS1416VDAS-35D	Needle Fixing plate		1
35E	MBS1416VDAS-35E	Socket Head Cap Screw	M4x8L	1
35F	MBS1416VDAS-35F	Washer	M10	1
36	MBS1416VDAS-036	Base		1
36A	MBS1416VDAS-036A	Bolt	Ø8*36L	2
36B	MBS1416VDAS-036B	Socket Head Cap Screw	M12*55L	4
36C	MBS1416VDAS-036C	Washer		8
36D	MBS1416VDAS-036D	Nut	M12	4
37	MBS1416VDAS-037	Cover		1
37A	MBS1416VDAS-37A	Socket Head Cap Screw	M6*12L	12
38	MBS1416VDAS-038	Cover		1
39	MBS1416VDAS-39	Vise Plate(left)		1
39A	MBS1416VDAS-039A	Socket Head Cap Screw	M8*25L?	2
40	MBS1416VDAS-040	Bezel		1
40A	MBS1416VDAS-040A	Knob		1
40B	MBS1416VDAS-040B	Steel Bar	Ø22*96L	1
40C	MBS1416VDAS-040C	Copper Bar	Ø25*25L	1
41	MBS1416VDAS-041	vise plate		1
42	MBS1416VDAS-042	Panel		1
42A	MBS1416VDAS-042A	Socket Head Cap Screw	M6*12L	6
42B	MBS1416VDAS-042B	Main power switch		1
42C	MBS1416VDAS-042C	Ammeter		1
42D	MBS1416VDAS-042D	Speed switch		1
42E	MBS1416VDAS-042E	Indicator light		1
42F	MBS1416VDAS-042F	Indicator light		1
42G	MBS1416VDAS-042G	Hydraulic start button		1
42H	MBS1416VDAS-042H	Cutting start button		1
42J	MBS1416VDAS-042J	Clip Selector		1
42K	MBS1416VDAS-042K	Saw bow up and down selector		1
42L	MBS1416VDAS-042L	Emergency power off switch		1
43	MBS1416VDAS-043	Bracket		1
43A	MBS1416VDAS-043A	Cover		1
43B	MBS1416VDAS-043B	Socket Head Cap Screw	M12*30	2
43C	MBS1416VDAS-043C	Washer	M12	2
43D	MBS1416VDAS-043D	Nut	M12	2

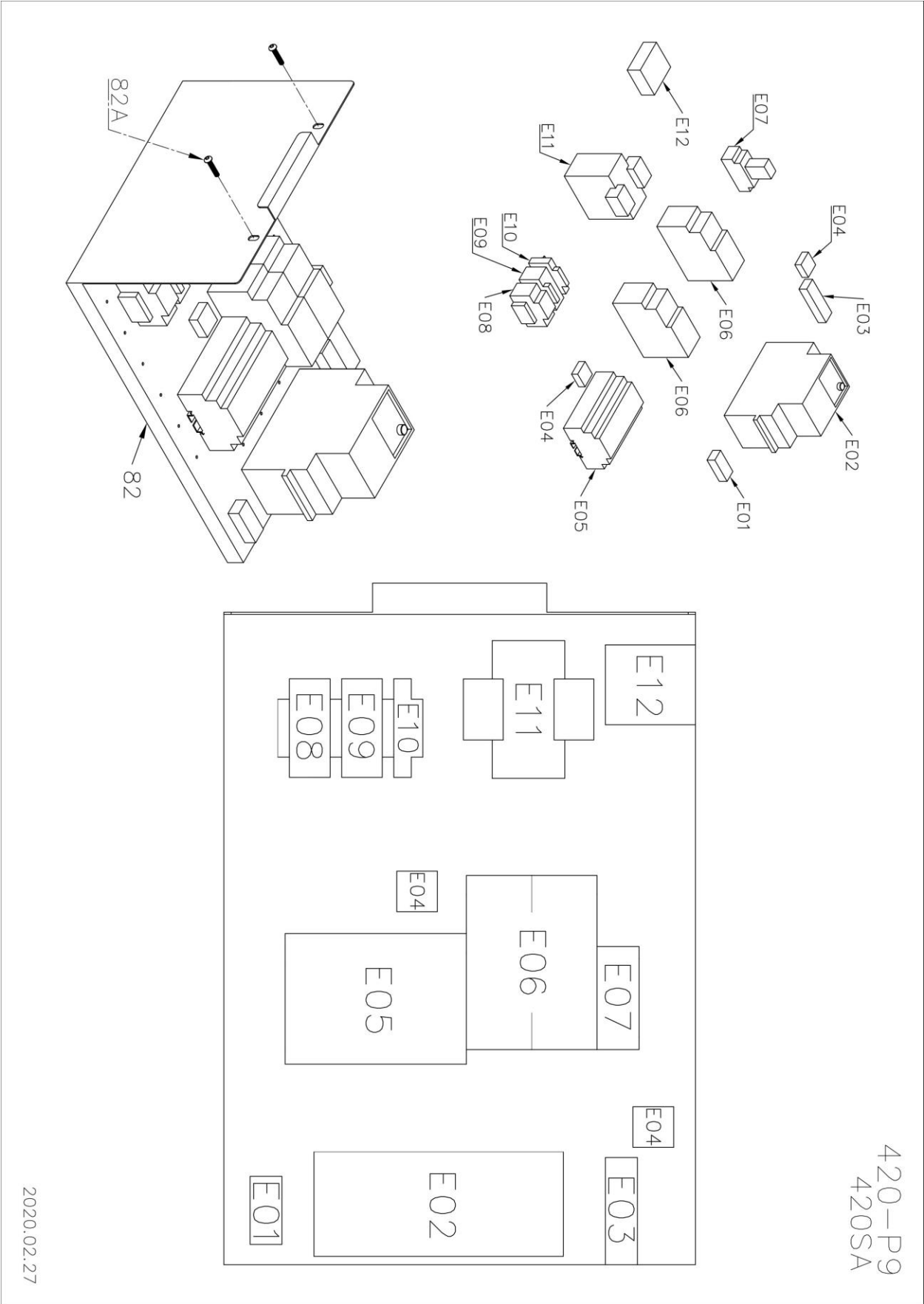
Parts List for the MBS1416VDAS

Index No.	Part No.	Description	Size	Qty.
44	MBS1416VDAS-044	Water Tank Drawer		1
45	MBS1416VDAS-045	Pump		1
45A	MBS1416VDAS-045A	Screw	M6*12L	6
46	MBS1416VDAS-046	Vise Cover		1
46A	MBS1416VDAS-046A	Screw	M10*25L	2
46B	MBS1416VDAS-046B	Spring Pin	Ø5*18	2
46C	MBS1416VDAS-046C	Socket Head Flat Screw	M6*20L	8
46D	MBS1416VDAS-046D	Nut	M6	8
47	MBS1416VDAS-047	Screw for vise		1
47A	MBS1416VDAS-047A	Washer	M8	1
47B	MBS1416VDAS-047B	Socket Head Cap Screw	M8*12	2
48	MBS1416VDAS-048	Steel plate		1
49	MBS1416VDAS-049	Moveable Vise		1
49A	MBS1416VDAS-049A	Copper Screw		1
49B	MBS1416VDAS-049B	Spring		1
51	MBS1416VDAS-051	Vise Holder	32*20*140	1
51A	MBS1416VDAS-051A	Socket Head Cap Screw	M8*30	2
51B	MBS1416VDAS-051B	Washer	M8	2
52	MBS1416VDAS-052	Hydraulic Vice Assembly		1
52D	MBS1416VDAS-052D	Socket Head Cap Screw	M10*95	2
53	MBS1416VDAS-053	Hydraulic vise fixing block		1
53A	MBS1416VDAS-053A	Socket Head Cap Screw	M8*20L	3
54	MBS1416VDAS-054	HandleWheel		4
54A	MBS1416VDAS-054A	Washer	M8	1
54B	MBS1416VDAS-054B	Socket Head Cap Screw	M8*20L	1
55	MBS1416VDAS-055	Grip		1
56	MBS1416VDAS-056	Vise handle		1
56A	MBS1416VDAS-056A	Head of handle		1
56B	MBS1416VDAS-056B	Bearing		1
56C	MBS1416VDAS-056C	Gear		1
57	MBS1416VDAS-057	Head of Handle		1
57A	MBS1416VDAS-057A	Handle		1
58	MBS1416VDAS-058	Pressure meter		2
59	MBS1416VDAS-059	Gasket		1
60	MBS1416VDAS-060	Long Screw	16*290	2
60A	MBS1416VDAS-060A	Nut	M16	2
60B	MBS1416VDAS-60B	Gasket	M16	2
61	MBS1416VDAS-060	Bracket		11
61A	MBS1416VDAS-61A	Socket Head Cap Screw	M8*12L	2
61B	MBS1416VDAS-058	Socket Head Cap Screw	M8*40L	2
61C	MBS1416VDAS-061C	Spring Washer	M8	2
61D	MBS1416VDAS-061D	Washer	M8	2
62	MBS1416VDAS-062	Blade Safe Cover		2
62A	MBS1416VDAS-062A	Socket Head Cap Screw		2
63	MBS1416VDAS-063	Rear Blade Holder		2
64	MBS1416VDAS-064	Value		1
65	MBS1416VDAS-065	Guide Block Base		1
65A	MBS1416VDAS-065A	Guide Block(upper)		4
65B	MBS1416VDAS-065B	Socket Head Cap Screw	M4*16	4
65C	MBS1416VDAS-065C	Screw	M4*16	8
65D	MBS1416VDAS-065D	Socket Head Flat Screw	M4*6L	2
66	MBS1416VDAS-066	Bearing		2

Parts List for the MBS1416VDAS

Index No.	Part No.	Description	Size	Qty.
66A	MBS1416VDAS-066A	Bearing Casing(Short)	Ø12*Ø8.5*15L	4
66B	MBS1416VDAS-066B	Value	Ø20*Ø12*13L	2
66BA	MBS1416VDAS-066BA	Bearing Casing(long)	Ø12*Ø8.5*25L	2
66BB	MBS1416VDAS-066BB	Gasket	Ø16*Ø8.2*1.5T	2
66C	MBS1416VDAS-066C	Socket Head Cap Screw	M6*25L	4
66CA	MBS1416VDAS-066CA	Socket Head Cap Screw	M6*36L	2
66D	MBS1416VDAS-066D	Washer	1T*Ø16*Ø12	2
67	MBS1416VDAS-067	Front Blade Holder		2
68	MBS1416VDAS-068	Ball valve		2
69	MBS1416VDAS-069	Protection Sheet		1
69A	MBS1416VDAS-069A	Socket Head Cap Screw	M6*12L	1
70	MBS1416VDAS-070	Location Rod		1
70A	MBS1416VDAS-070A	Socket Head Cap Screw	M6*16L	1
70B	MBS1416VDAS-070B	Nut	M6	1
70C	MBS1416VDAS-080C	Socket Head Cap Screw	M5*12L	4
70D	MBS1416VDAS-070D	Washer	M5	4
71	MBS1416VDAS-071	Location Rod		1
71A	MBS1416VDAS-071A	Bezel	M6*16L	4
71B	MBS1416VDAS-071B	Socket Head Cap Screw	M6*20	3
71C	MBS1416VDAS-071C	Washer	M6	1
71D	MBS1416VDAS-071D	Nut	M6	1
72	MBS1416VDAS-072	Connection Plate		1
73	MBS1416VDAS-073	Switch		1
73A	MBS1416VDAS-057A	Socket Head Cap Screw	M3*12L	1
74	MBS1416VDAS-074	Hydraulic Pump System Assembly		1
74A	MBS1416VDAS-074A	Socket Head Cap Screw	M8*16L	4
74B	MBS1416VDAS-074B	Washer	M8	4
75	MBS1416VDAS-075	Door		1
75A	MBS1416VDAS-075A	Handle		1
76	MBS1416VDAS-076	Hinge	AZ2510B	2
76A	MBS1416VDAS-76A	Screw	M6*16L	8
77	MBS1416VDAS-077	Base		1
77A	MBS1416VDAS-077A	Cable Holder		2
77B	MBS1416VDAS-077B	Cable Holder		2
77C	MBS1416VDAS-077C	Cable Holder		1
77D	MBS1416VDAS-077D	Hollow Bolt		1
77E	MBS1416VDAS-077E	Cable Holder		1
77F	MBS1416VDAS-077F	Telescopic wave tube		1
77G	MBS1416VDAS-077G	Telescopic wave tube		2
77H	MBS1416VDAS-077H	Socket Head Cap Screw	M6*12L	10
78	MBS1416VDAS-078	Base Plate(right)		1
79	MBS1416VDAS-079	Base Plate(left)		1
80	MBS1416VDAS-080	Base Drawer		1
81	MBS1416VDAS-081	Bracket		1
81A	MBS1416VDAS-081A	Socket Head Cap Screw	M6*25L	2
82	MBS1416VDAS-082	Drawer		1
82A	MBS1416VDAS-082A	Socket Head Cap Screw	M6*12L	6
83	MBS1416VDAS-083	Water Tray		1
84	MBS1416VDAS-084	Flexed Block	M6*25L	2
84	MBS1416VDAS-084A	Screw	M8x25L	2
85	MBS1416VDAS-085	Screw	M8*30L	1
86	MBS1416VDAS-086	Copper	6x15	1

Breakdown for the MBS1416VDAS electric equipment Assembly



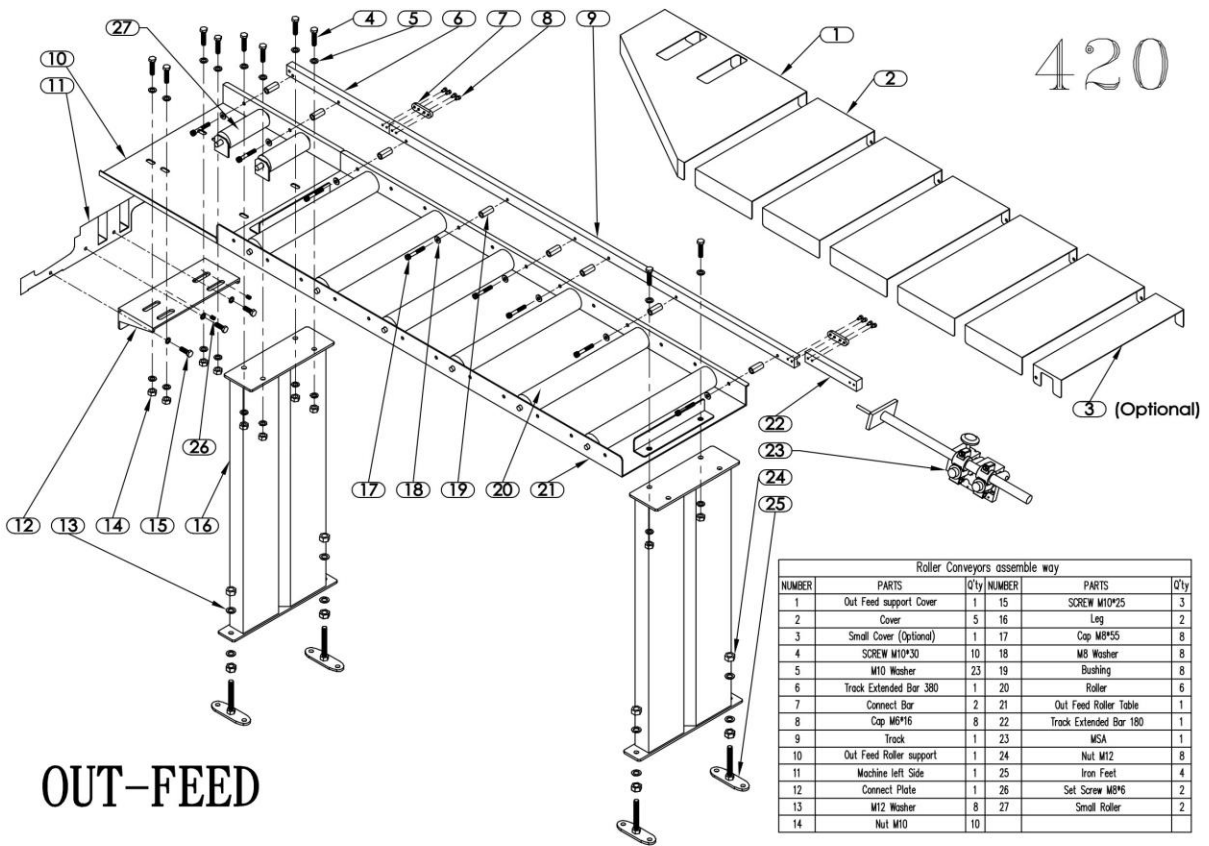
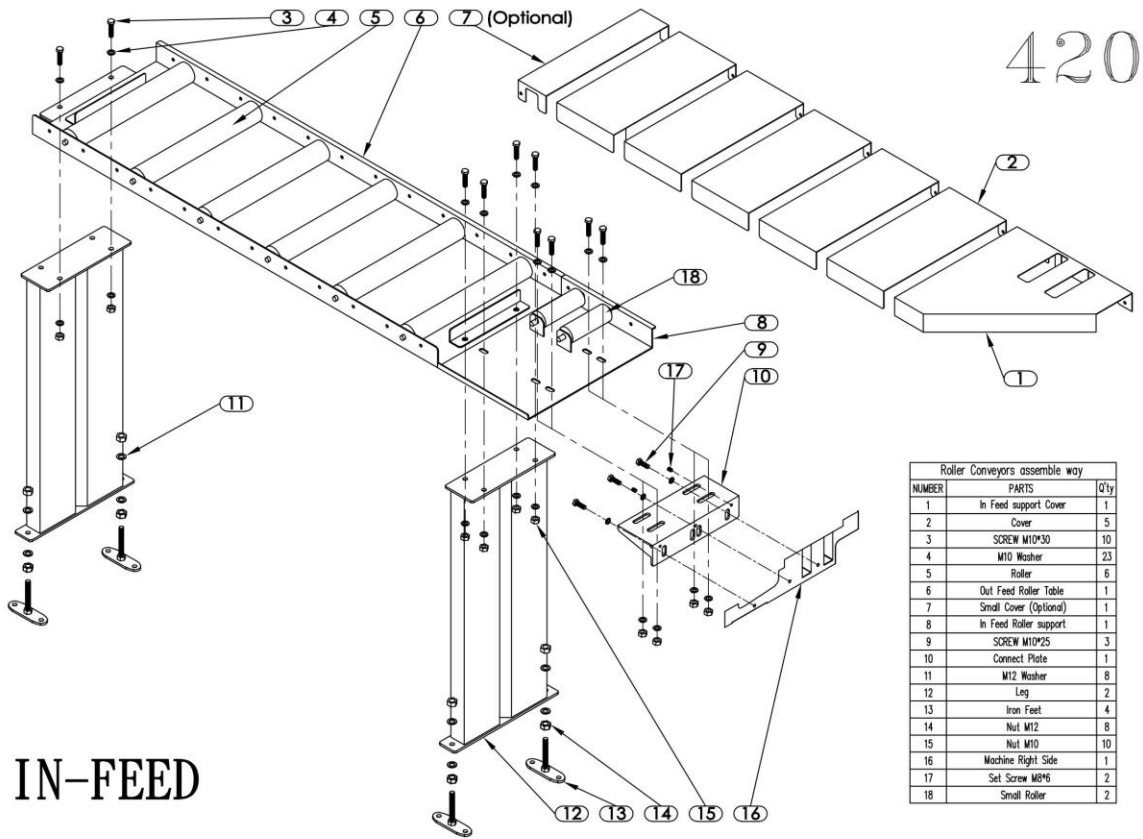
420-P9
420SA

2020.02.27

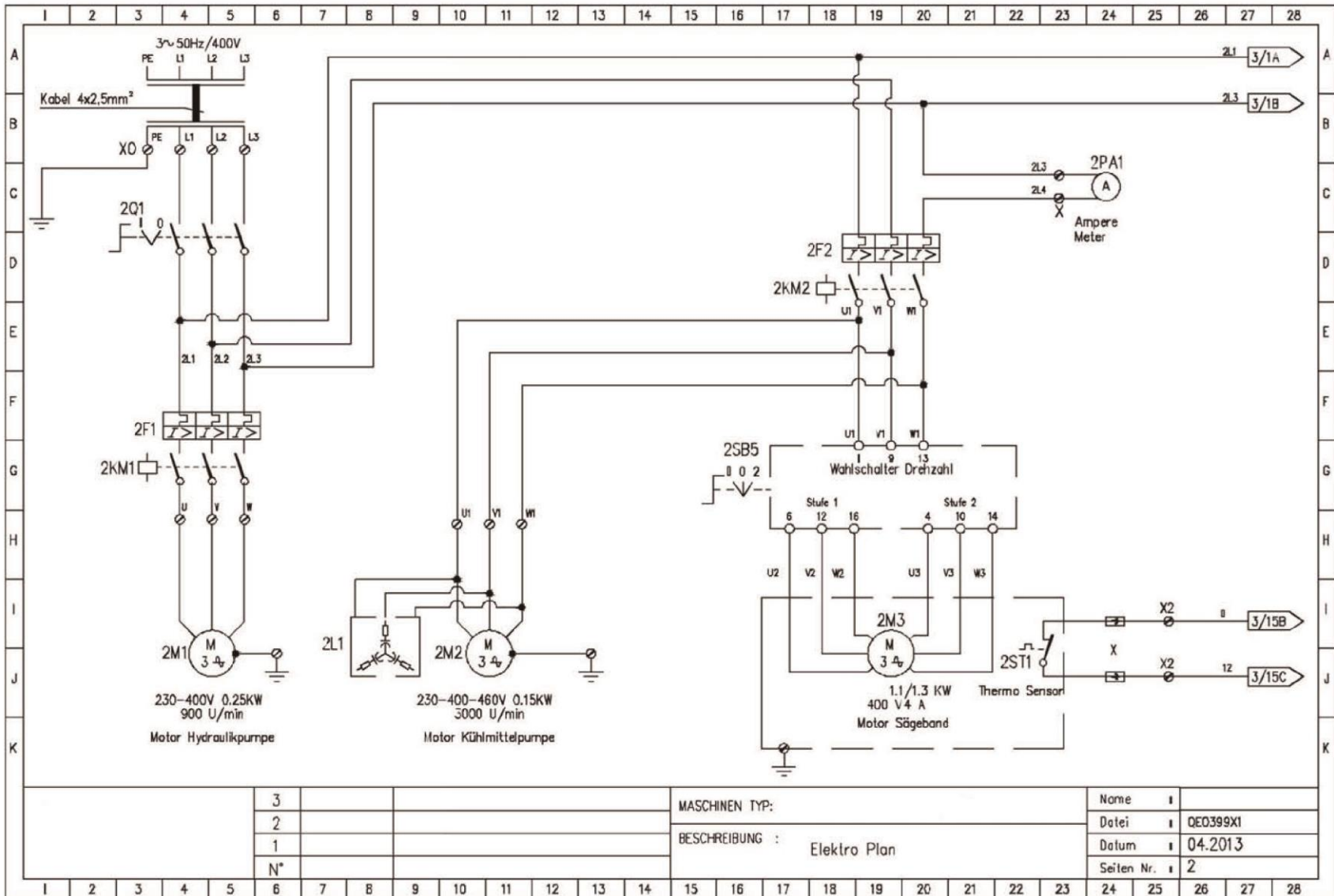
**Parts List for the MBS1416VDAS
electric equipment Assembly**

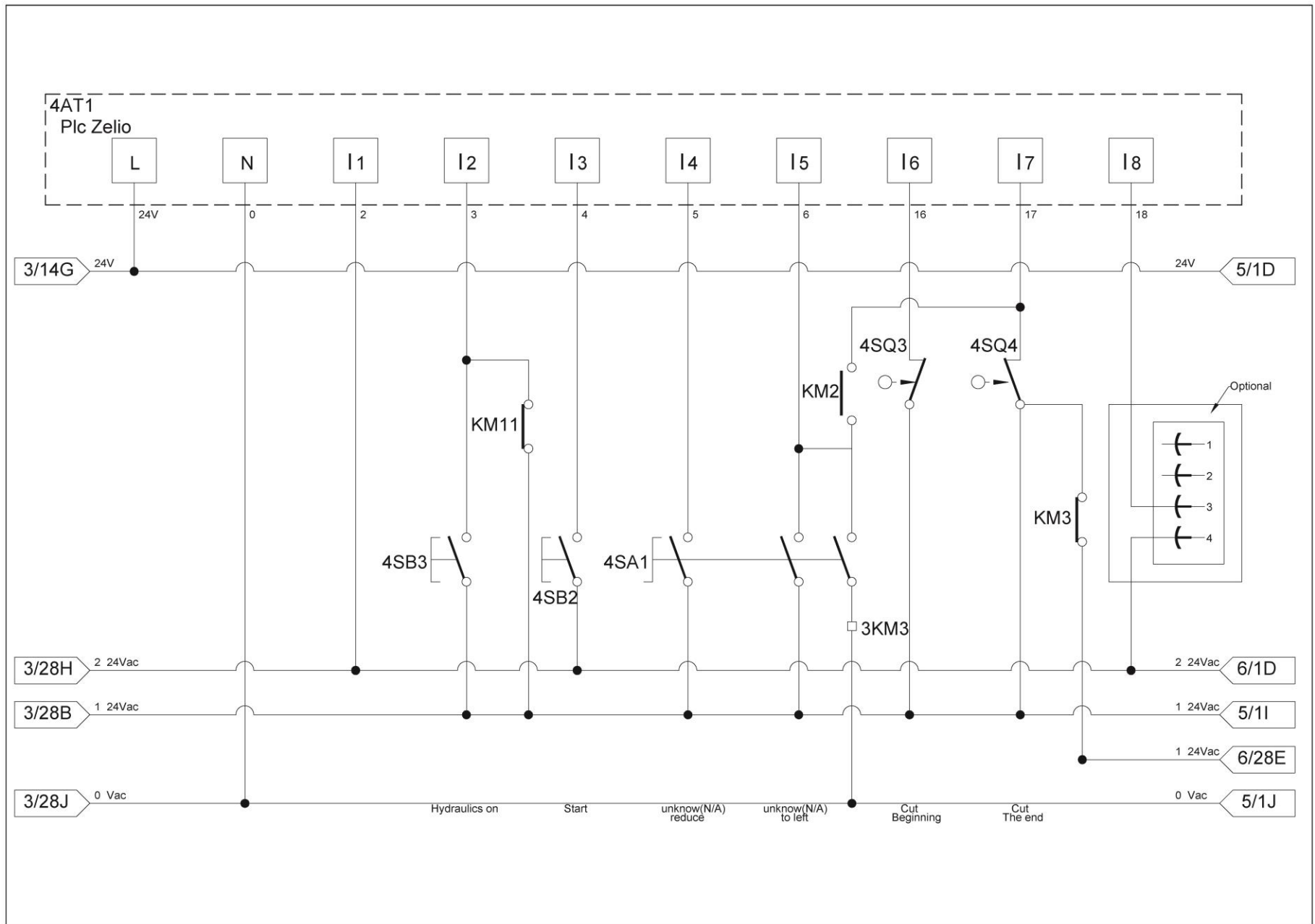
Index No.	Part No.	Description	Size	Qty.
E01	MBS1416VDAS-E01	Terminal block		1
E02	MBS1416VDAS-E02	Inverter		1
E03	MBS1416VDAS-E03	Terminal block		1
E04	MBS1416VDAS-E04	Bridge rectifier		1
E05	MBS1416VDAS-E05	PLC		1
E06	MBS1416VDAS-E06	Electromagnetic contactor		1
E07	MBS1416VDAS-E07	Relay group		1
E08	MBS1416VDAS-E08	Double terminal block		1
E09	MBS1416VDAS-E09	2 to 2 terminal blocks		1
E10	MBS1416VDAS-E10	Double terminal block		1
E11	MBS1416VDAS-E11	Transforme		1
E12	MBS1416VDAS-E12	Fuse Holder		1

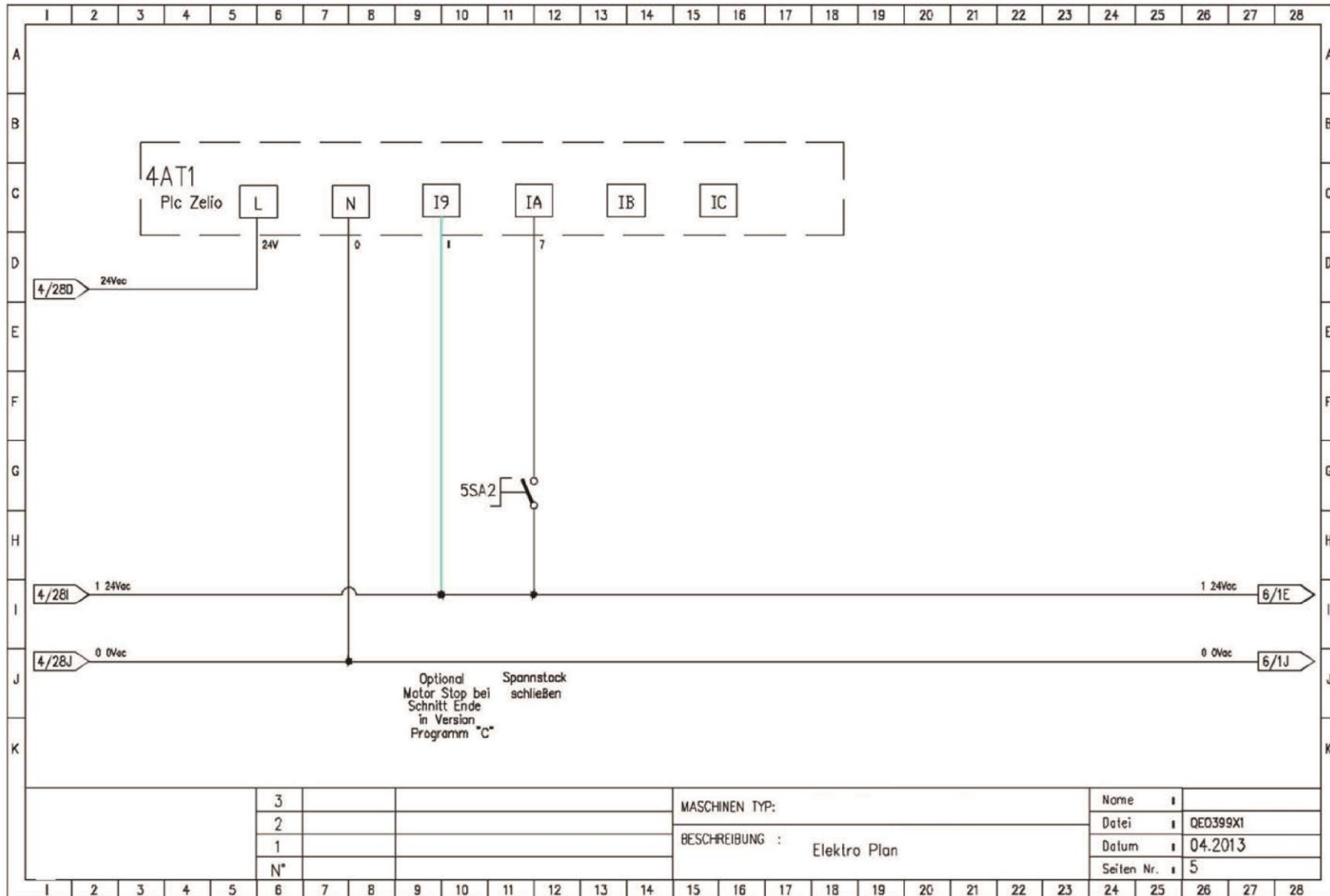
Breakdown for the MBS1416VDAS Roller Stand Assembly

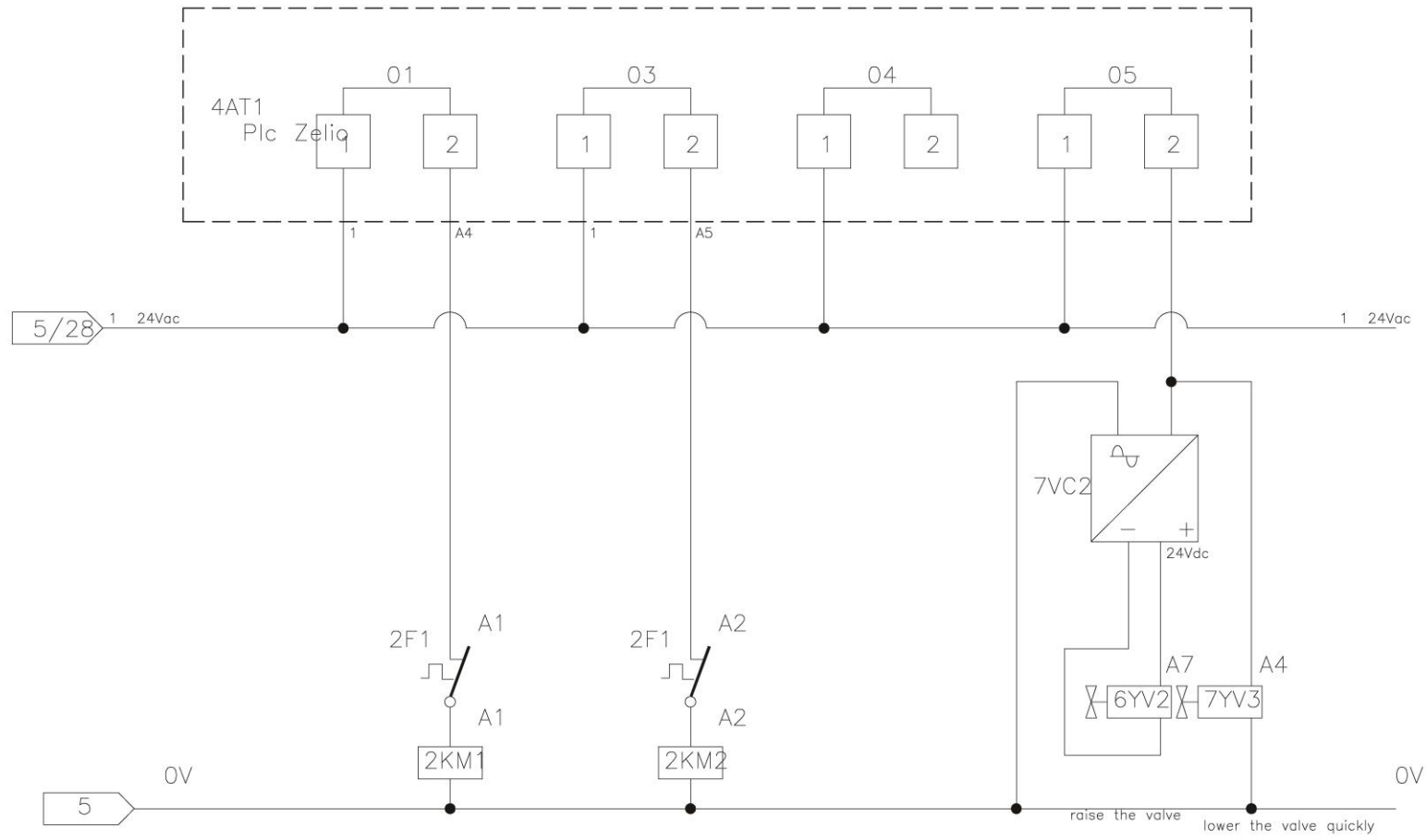


I	2	3	4	5	6	7	8	9	10	11	12	13	14	15	16	17	18	19	20	21	22	23	24	25	26	27	28	
A	ELEKTRISCHE SYMBOLE LEGENDE																											A
B	AT Steuerung B Näherungsschalter C Kondensator FU Sicherung KM Leistungsschütz HL Kontrollleuchte L Netz Filter M Motor PA Ampere Meter QM Leistungsschalter RP Potentiometer SA Wahlschalter SB Taster SQ Endschalter SP Druckschalter ST Thermo Schalter TC Transformator TV Spannungswandler U Frequenzumrichter V Diode VC Gleichrichter X Klemme XS Stecker XP Steckdose YV Elektroventil														Bezeichnung der Kabel und Leitungen (ABCD) AB = Blattnummer CD = laufende Nummer des Leiters Bezeichnung der Bauteile (A B C) A = Seitennummer B = Gerätebezeichnung C = Seriennummer Bezeichnung der Relaiskontakte (A . B) A = Seitennummer B = Spaltennummer Verweisnummer (A / B) A =Seitennummer B = Spalten und Beschriftungsnummer													B
C																												C
D																												D
E																												E
F																												F
G																												G
H																												H
I																												I
J																												J
K																												K
						3									MASCHINEN TYP:								Name	I				
						2									BESCHREIBUNG :								Datei	I	QEO499X1			
						1									Elektro Plan								Datum	I	04.2013			
						N*																	Seiten Nr.	I	1			
I	2	3	4	5	6	7	8	9	10	11	12	13	14	15	16	17	18	19	20	21	22	23	24	25	26	27	28	

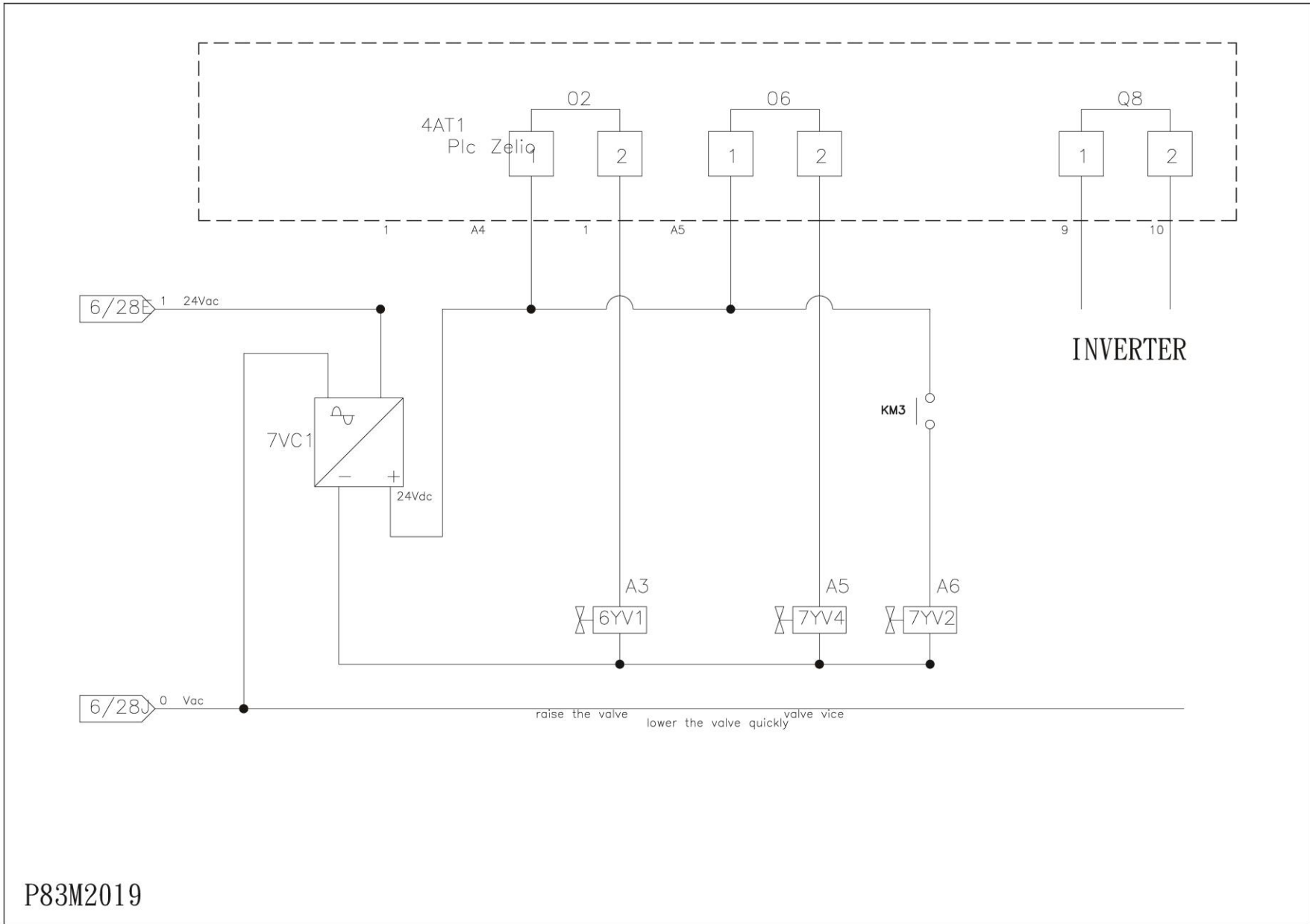


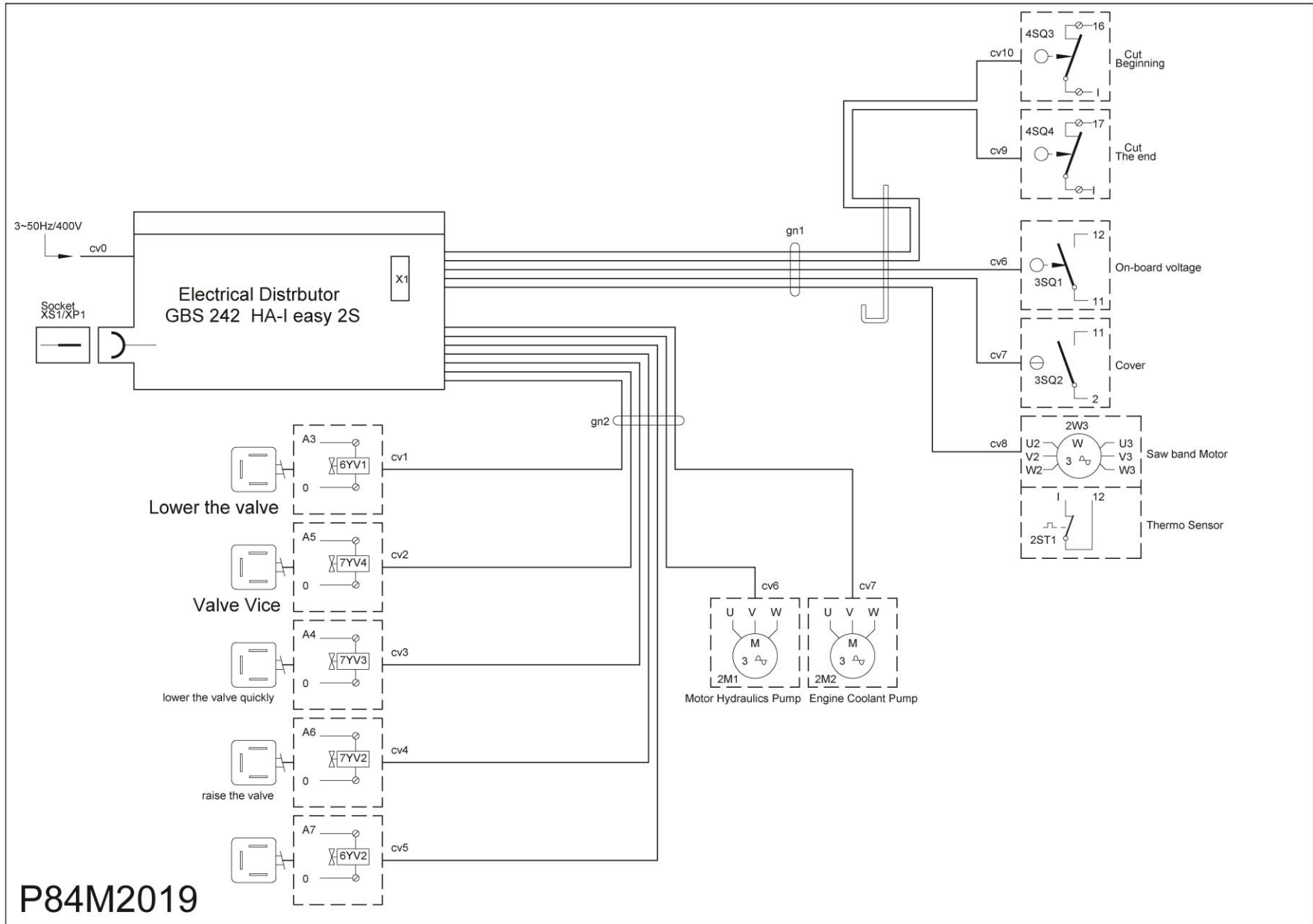


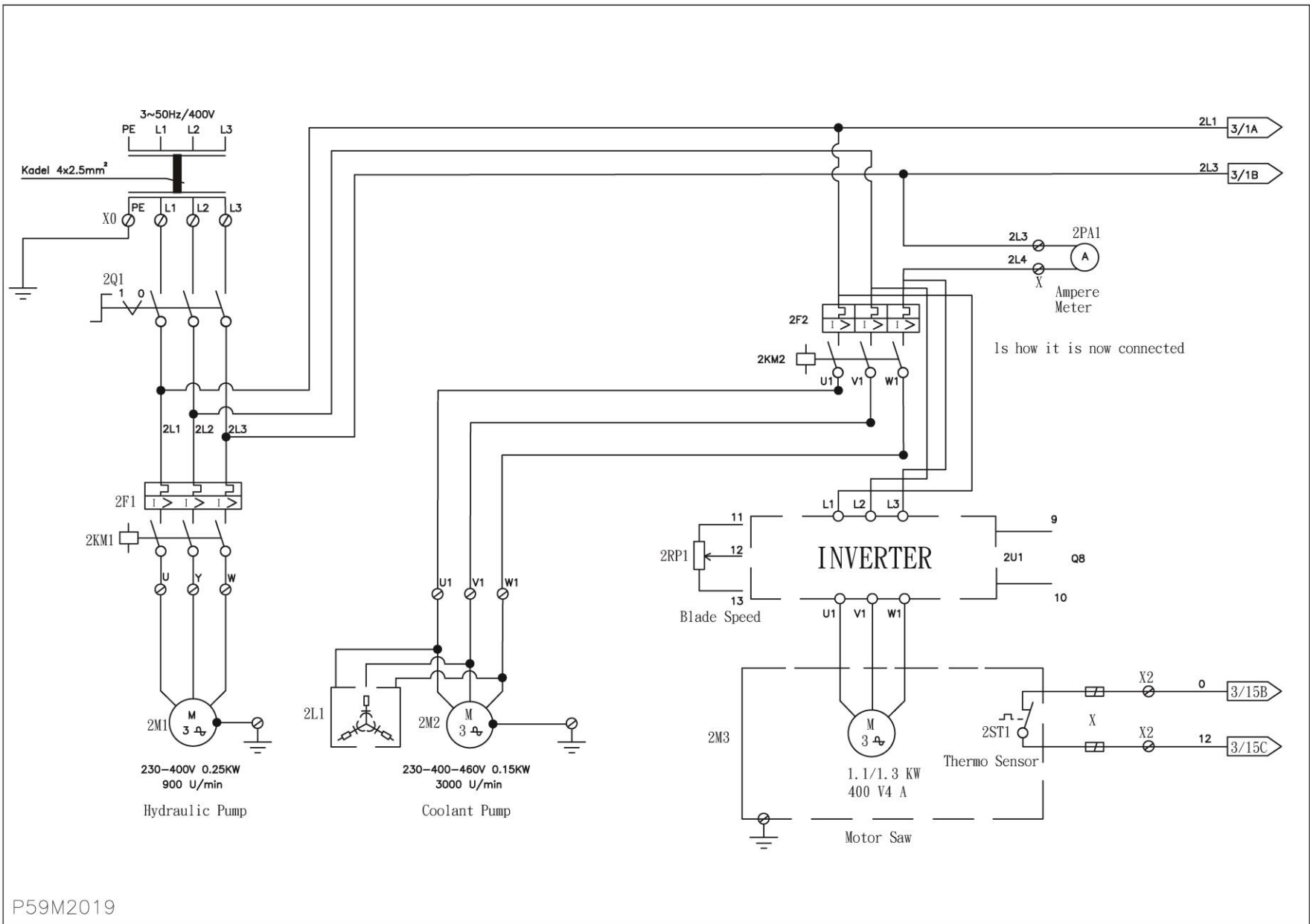




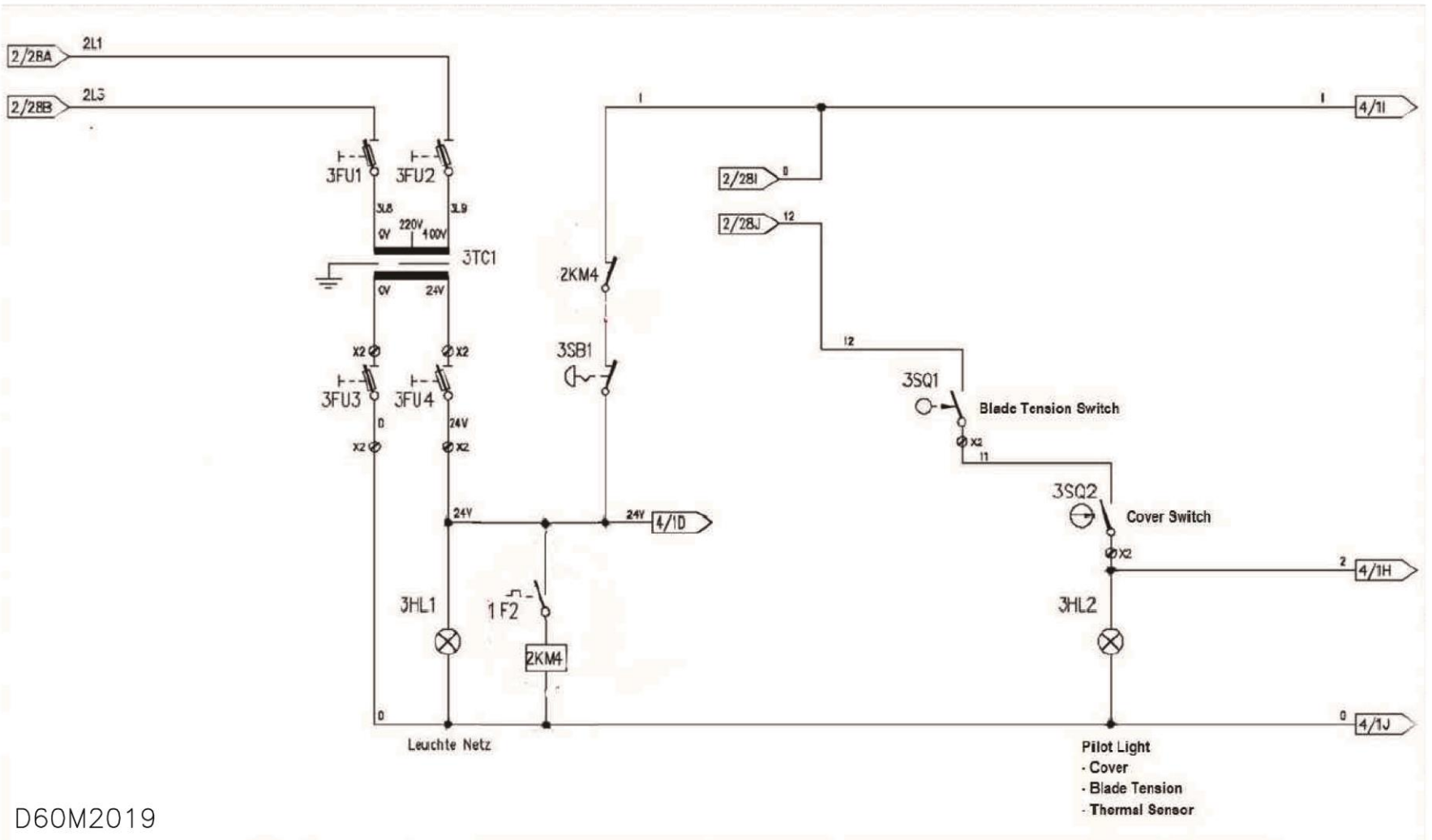
P82M2019







P59M2019



D60M2019