



MBS-1824FA METALWORKING BANDSAW

MBS-1824FA50000353T3~400V, 50Hz

PARTS LIST



JPW Tool Group Hong Kong Limited

98 Granville Road, Tsimshatsui East, Kowloon, Hong Kong, PRC

www.jettools.com

Импортер в РФ: ООО «ИТА Технолоджи»

105082, Москва, Переведеновский пер., д. 17

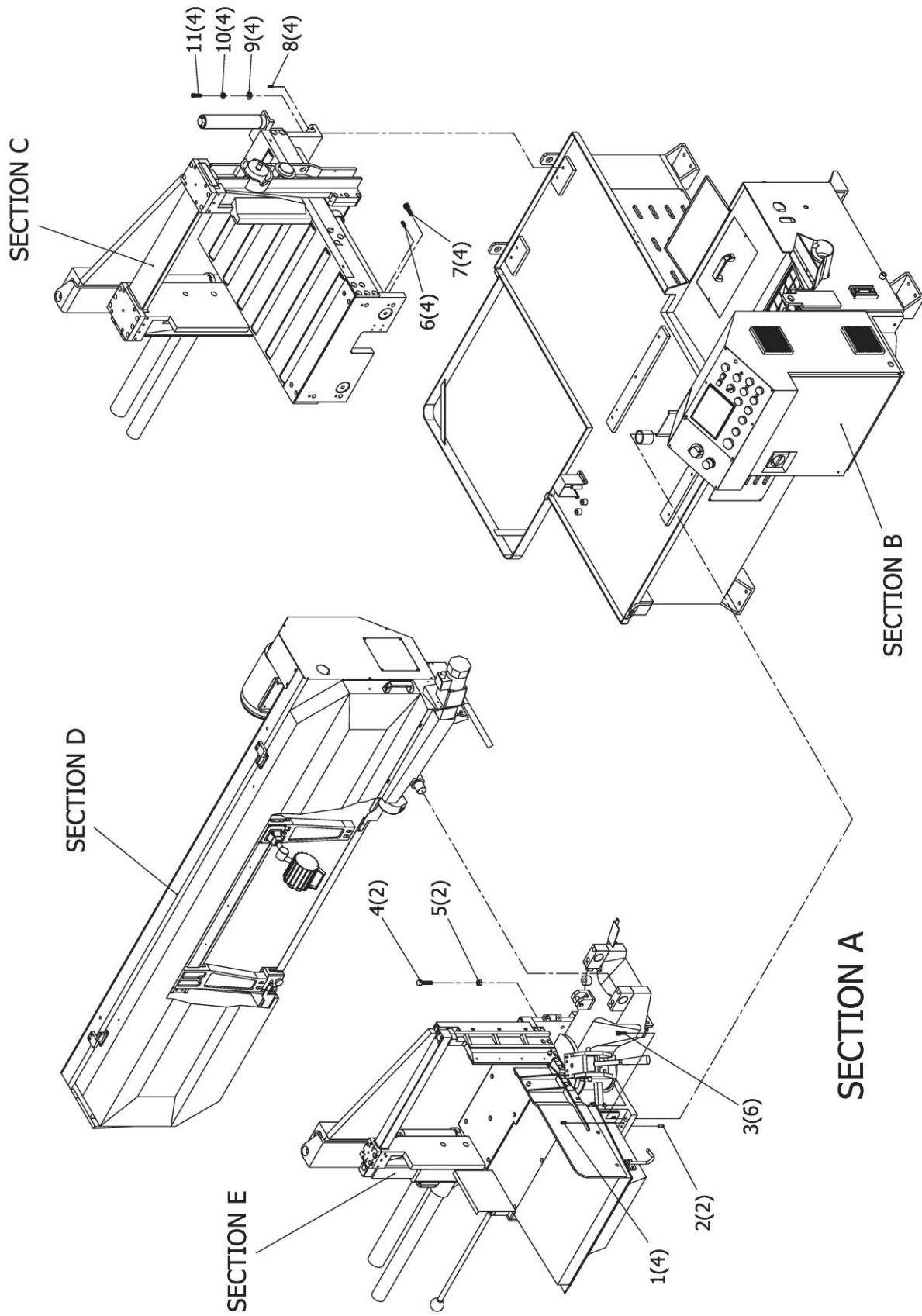
www.jettools.ru

Made in Taiwan / Сделано на Тайване

P-50000353T

2023-12

MBS-1824FA Conveyor Structure Assembly

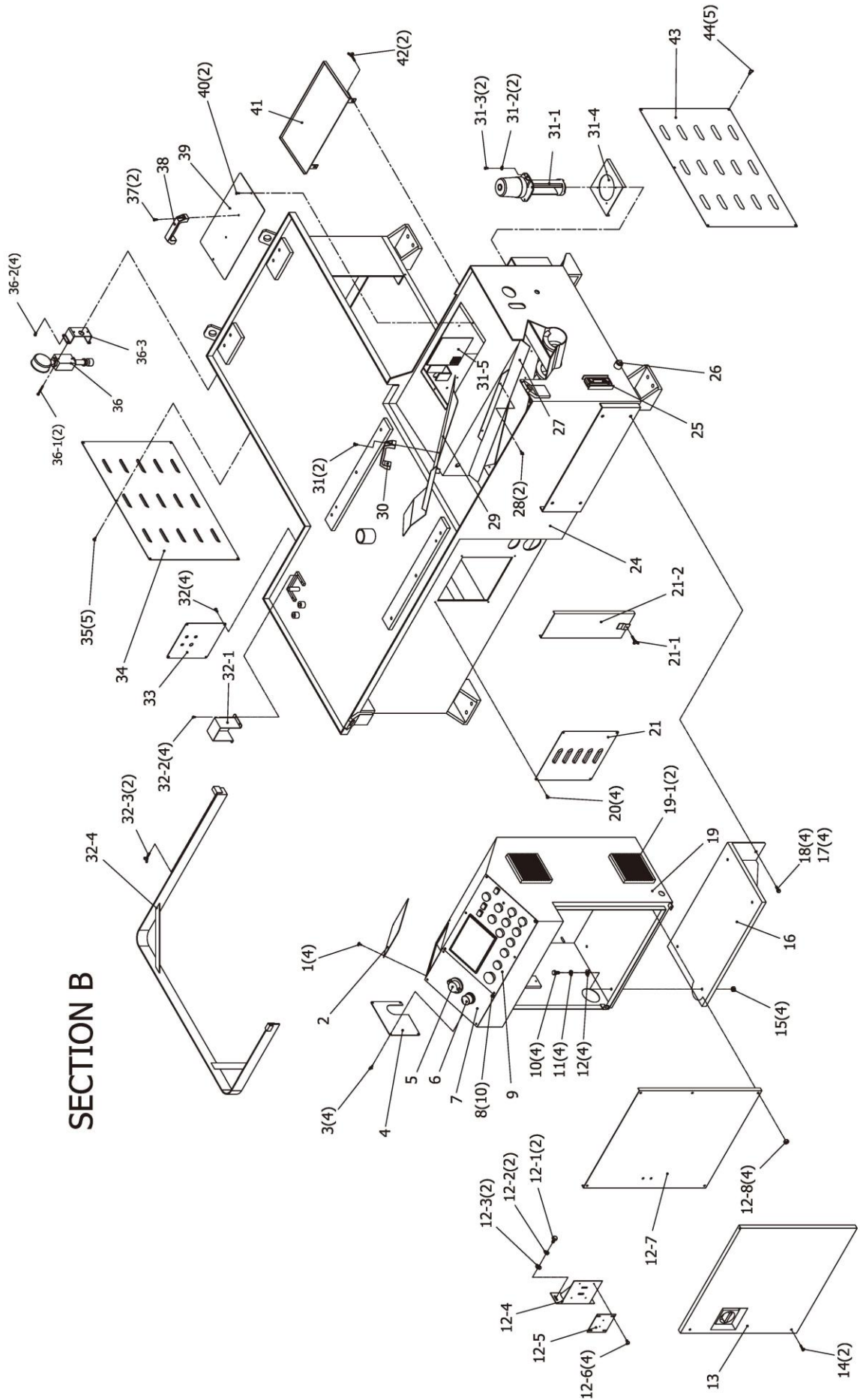


MBS-1824FA Conveyor Structure Partslist

Index No.	Part No.	Description	Size	Q'ty
A1	TS-1526041E	Set Screw	M12x25L	4
A2	1824FA-A2	Spring Pin	8x20L	2
A3	TS-1506061E	Hex. Socket Cap Screw	M12x45L	6
A4	TS-2211451E	Hex. Cap Bolt	M12x45L	2
A5	1824FA-A5	Nut	M12	2
A6	TS-1525041E	Set Screw	M10x20L	4
A7	1824FA-A7	Hex. Socket Cap Screw	M16x45L	4
A8	TS-1526041E	Set Screw	M12x25L	4
A9	1824FA-A9	Washer	M12	4
A10	1824FA-A10	Spring Washer	M12	4
A11	TS-1506061E	Hex. Socket Cap Screw	M12x45L	4

MBS-1824FA Stand Assembly

SECTION B



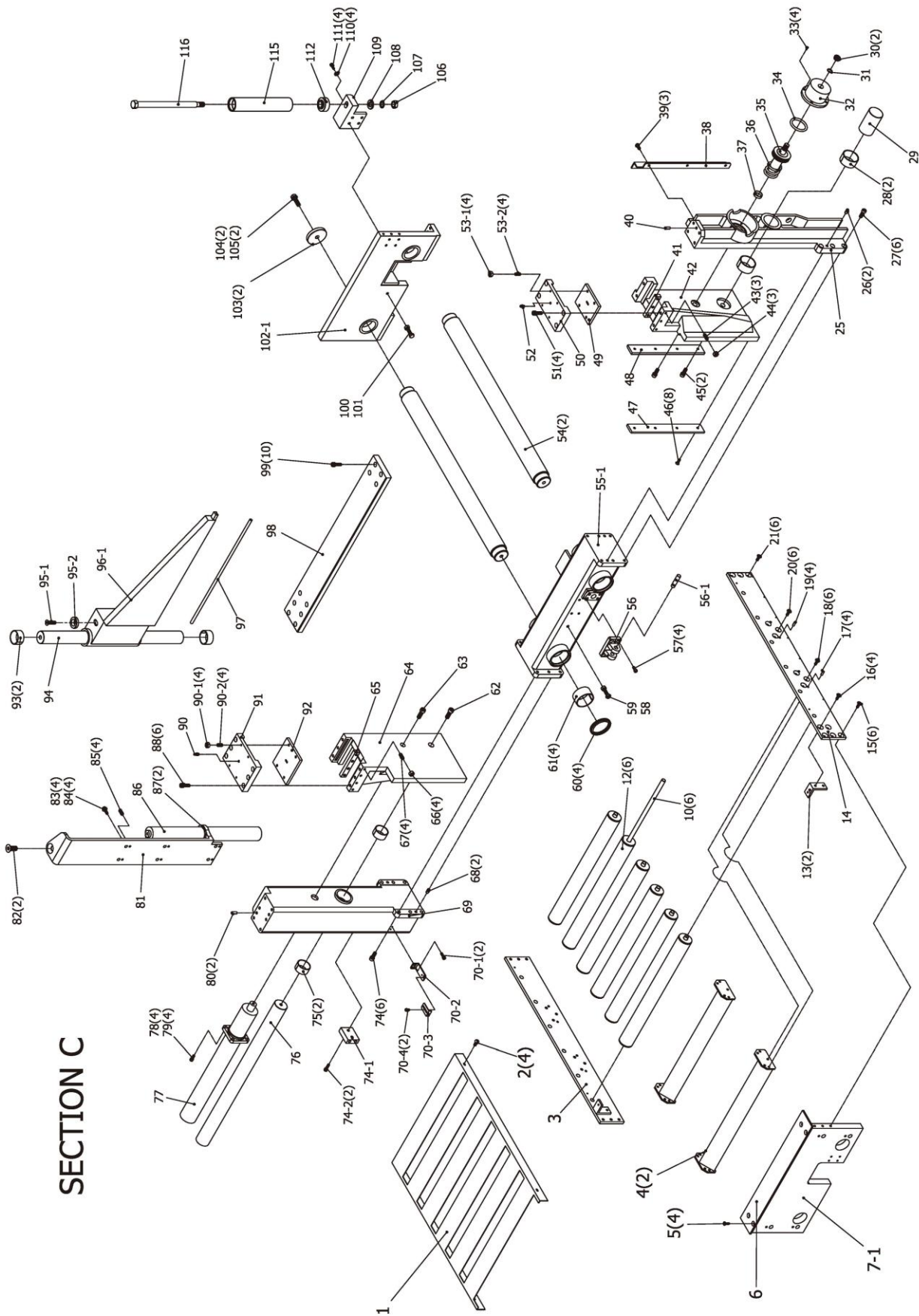
MBS-1824FA Stand Partslist

Index No.	Part No.	Description	Size	Q'ty
B1.....	1824FA-B1.....	Button Head Socket Screw	M5x6L	4
B2.....	1824FA-B2.....	Upper Cover		1
B3.....	1824FA-B3.....	Button Head Socket Screw	M5x6L	4
B4.....	1824FA-B4.....	Left Cover.....		1
B5.....	1824FA-B5.....	Pressure Regulator Knob.....		1
B6.....	1824FA-B6.....	Cutting Rate Knob.....		1
B7.....	1824FA-B7.....	Flow Valve Panel		1
B8.....	1824FA-B8.....	Button Head Socket Screw	M5x8L	10
B9.....	1824FA-B9.....	Operation Panel.....		1
B10.....	TS-2228161E	Hex. Cap Bolt	M8x16L.....	4
B11.....	1824FA-B11.....	Spring Washer	M8	4
B12.....	1824FA-B12.....	Washer.....	M8	4
B12-1.....	TS-1503031E	Hex. Socket Cap Screw	M6x12L.....	2
B12-2.....	1824FA-B12-2.....	Spring Washer	M6	2
B12-3.....	1824FA-B12-3.....	Washer.....	M6	2
B12-4.....	1824FA-B12-4.....	Electrical Box Switch Seat.....		1
B12-5.....	1824FA-B12-5.....	Altimeter Control Bottom Plate		1
B12-6.....	1824FA-B12-6.....	Button Head Socket Screw	5/32"x3/8"L	4
B12-7.....	1824FA-B12-7.....	Circuit Bottom Plate		1
B12-8.....	1824FA-B12-8.....	Nut	M6	4
B13.....	1824FA-B13.....	Electrical Box Door		1
B14.....	TS-1503061E	Hex. Socket Cap Screw	M6x25L.....	2
B15.....	1824FA-B15.....	Nut	M8	4
B16.....	1824FA-B16.....	Supporting Bracket		1
B17.....	TS-2210161E	Hex. Cap Bolt	M10x16L.....	4
B18.....	1824FA-B18.....	Spring Washer	M10	4
B19.....	1824FA-B19.....	Electrical Box.....		1
B19-1.....	1824FA-B19-1.....	Heat Sink.....		2
B20.....	TS-2246082E	Button Head Socket Screw	M6x8L	4
B21.....	1824FA-B21.....	Inverter Cover.....		1
B21-1.....	1824FA-B21-1.....	Wing Screw	M6x12L.....	1
B21-2.....	1824FA-B21-2.....	Drain Board		1
B24.....	1824FA-B24.....	Machine Base.....		1
B25.....	1824FA-B25.....	Coolant Level Gauge		1
B26.....	1824FA-B26.....	Drain Plug.....	3/8"PT	1
B27.....	1824FA-B27.....	Left Lateral Cover		1
B28.....	1824FA-B28.....	Button Head Socket Screw	M5x8L	2
B29.....	1824FA-B29.....	Right Lateral Cover		1
B30.....	1824FA-B30.....	Plastic Handle.....		1
B31.....	1824FA-B31.....	Big Round Head Screw.....	M6x12L.....	2
B31-1.....	1824FA-B31-1.....	Coolant Pump.....	0.12kW 3Ph 400V.....	1
B31-2.....	1824FA-B31-2.....	Spring Washer	M6	1
B31-3.....	TS-1482051E	Hex. Cap Bolt	M6x25L.....	1
B31-4.....	1824FA-B31-4.....	Coolant Pump Seat.....		1
B31-5.....	1824FA-B31-5.....	Filter Screen (Machine Base)		1
B32.....	TS-2246082E	Button Head Socket Screw	M6x8L	4
B32-1.....	1824FA-B32-1.....	Cover.....		1
B32-2.....	TS-2246082E	Button Head Socket Screw	M6x8L	4
B32-3.....	1824FA-B32-3.....	Wing Screw	M6x12L.....	1
B32-4.....	1824FA-B32-4.....	Guardrail.....		1
B33.....	1824FA-B33.....	Fixed Wires Plate.....		1
B34.....	1824FA-B34.....	Hydraulic Unit Cover		1
B35.....	TS-2246082E	Button Head Socket Screw	M6x8L	4
B36.....	1824FA-B36.....	Vise Pressure Valve.....		1
B36-1.....	TS-1503091E	Hex. Socket Cap Screw	M6x40L.....	2
B36-2.....	TS-2246122E	Button Head Socket Screw	M6x12L.....	2
B36-3.....	1824FA-B36-3.....	Regulator Supporter.....		1
B37.....	1824FA-B37.....	Big Round Head Screw.....	M6x12L.....	2
B38.....	1824FA-B38.....	Plastic Handle.....		1
B39.....	1824FA-B39.....	Coolant Pump Cover.....		1

MBS-1824FA Stand Partslist

Index No.	Part No.	Description	Size	Q'ty
B40	TS-2246082E	Button Head Socket Screw	M6x8L	2
B41	1824FA-B41	Coolant Plate (Right Rear)		1
B42	1824FA-B42	Wing Screw	M6x12L	2
B43	1824FA-B43	Hydraulic Unit Cover		1
B44	TS-2246082E	Button Head Socket Screw	M6x8L	4

MBS-1824FA Auto Feed Device Assembly



MBS-1824FA Auto Feed Device Partslist

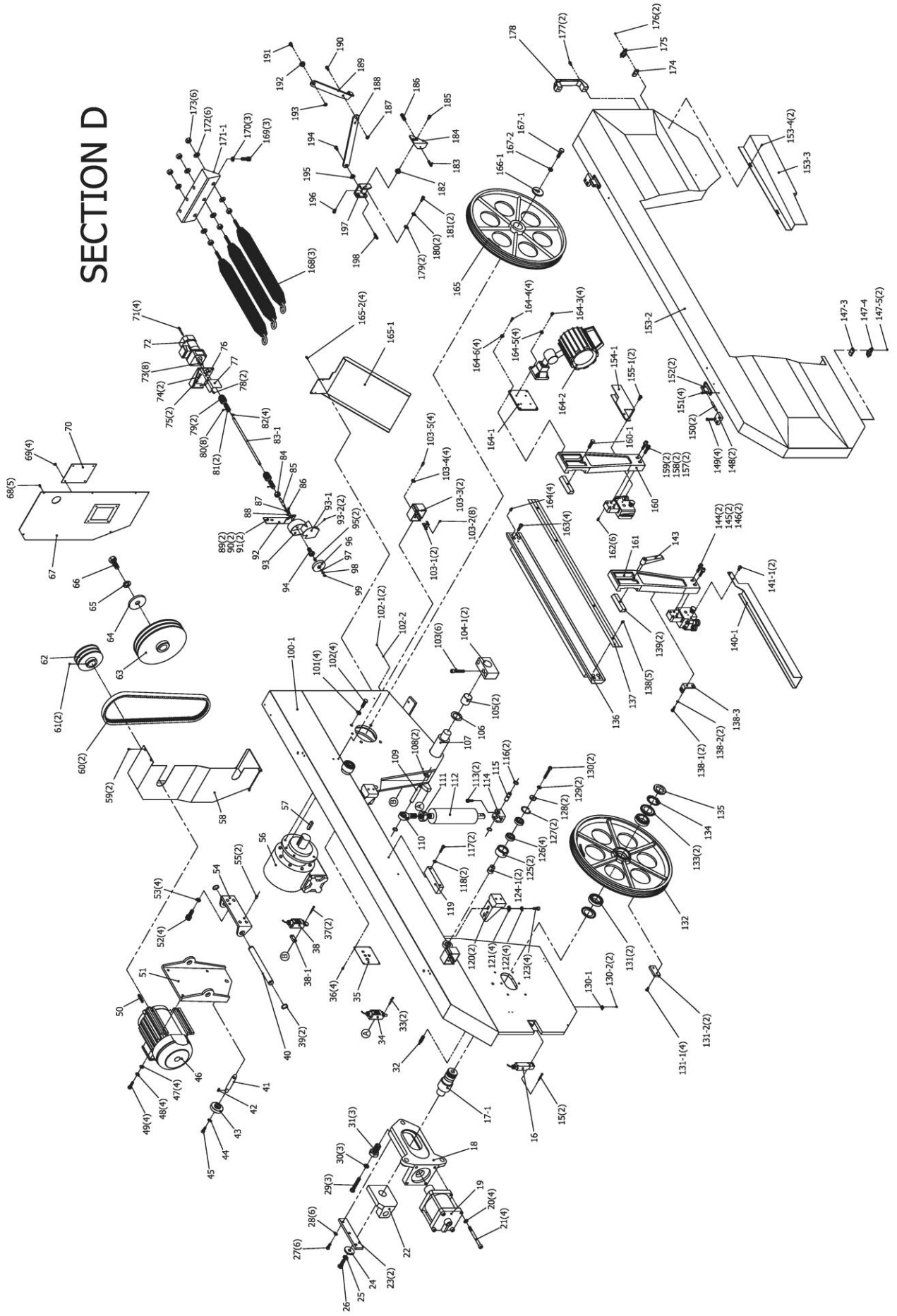
Index No.	Part No.	Description	Size	Q'ty
C1	1824FA-C1	Roller Cover		1
C2	TS-2246122E	Button Head Socket Screw	M6x12L	2
C3	1824FA-C3	Side Plate (Left)		1
C4	1824FA-C4	Roller Strengthen Bracket		2
C5	TS-1515021E	Flat Head Screw	M8x20L	4
C6	1824FA-C6	Roller Plate (Upper)		1
C7-1	1824FA-C7-1	Roller Plate (Front)		1
C10	1824FA-C10	Roller Shaft		6
C12	1824FA-C12	Roller		6
C13	1824FA-C13	Roller Bracket		2
C14	1824FA-C14	Side Plate (Right)		1
C15	TS-1516021E	Flat Head Screw	M10x25L	6
C16	TS-1516021E	Flat Head Screw	M10x25L	4
C17	1824FA-C17	Spring Pin	8x20L	4
C18	TS-1516021E	Flat Head Screw	M10x25L	6
C19	1824FA-C19	Spring Pin	8x20L	4
C20	TS-1516021E	Flat Head Screw	M10x25L	6
C21	TS-1516021E	Flat Head Screw	M10x25L	6
C25	1824FA-C25	Feeding Vise Fixing Bracket		1
C26	1824FA-C26	Spring Pin	10x30L	2
C27	TS-1506051E	Hex. Socket Cap Screw	M12x40L	6
C28	1824FA-C28	Oilless Bearing	6540	2
C29	1824FA-C29	Upper Shaft		1
C30	1824FA-C30	Nut	M20x1.5	2
C31	1824FA-C31	O Ring	P24	1
C32	1824FA-C32	Cylinder Cover		1
C33	TS-1504051E	Hex. Socket Cap Screw	M8x25L	4
C34	1824FA-C34	O Ring	P70	1
C35	1824FA-C35	Hydraulic Piston		1
C36	1824FA-C36	Spring		1
C37	1824FA-C37	Oilless Bearing	4015	1
C38	1824FA-C38	Guide Plate		1
C39	TS-2248122E	Button Head Socket Screw	M8x12L	3
C40	1824FA-C40	Spring Pin	10x30L	1
C41	1824FA-C41	Adjusting Block		1
C42	1824FA-C42	Feeding Vise Jaw		1
C43	TS-2279351E	Set Screw	M10x35L	3
C44	1824FA-C44	Nut	M10	3
C45	1824FA-C45	Hex. Socket Cap Screw	M14x40L	2
C46	TS-1515021E	Flat Head Screw	M8x20L	8
C47	1824FA-C47	Vise Steel Plate		1
C48	1824FA-C48	Vise Steel Plate		1
C49	1824FA-C49	Block Cover		1
C50	1824FA-C50	Upper Cover		1
C51	TS-1506031E	Hex. Socket Cap Screw	M12x30L	4
C52	1824FA-C52	Oil Nipple	1/8"PT	1
C53-1	1824FA-C53-1	Nut	M8	4
C53-2	TS-1524061E	Set Screw	M8x25L	4
C54	1824FA-C54	Guide Shaft		2
C55-1	1824FA-C55-1	Guide Rod Bracket		1
C56	1824FA-C56	Cylinder Bracket		1
C56-1	1824FA-C56-1	Feeding Shaft		1
C57	TS-1505031E	Hex. Socket Cap Screw	M10x25L	4
C58	1824FA-C58	Hex. Cap Steel Screw	M12x65L	1
C59	1824FA-C59	Nut	M12	1
C60	1824FA-C60	Dust Seal		4
C61	1824FA-C61	Oilless Bearing	7540	4
C62	1824FA-C62	Hex. Socket Cap Screw	M16x25L	1
C63	1824FA-C63	Hex. Socket Cap Screw	M14x25L	1

MBS-1824FA Auto Feed Device Partslist

Index No.	Part No.	Description	Size	Q'ty
C64.....	1824FA-C64.....	Feeding Front Vise.....		1
C65.....	1824FA-C65.....	Adjusting Block.....		1
C66.....	1824FA-C66.....	Nut.....	M10.....	4
C67.....	TS-2279351E.....	Set Screw.....	M10x35L.....	4
C68.....	1824FA-C68.....	Spring Pin.....	10x30L.....	2
C69.....	1824FA-C69.....	Cylinder Bracket.....		1
C70-1.....	TS-1503041E.....	Hex. Socket Cap Screw.....	M6x16L.....	2
C70-2.....	1824FA-C70-2.....	Adjusting Bracket.....		1
C70-3.....	1824FA-C70-3.....	Sensor Plate.....		1
C70-4.....	TS-2246082E.....	Button Head Socket Screw.....	M6x8L.....	2
C74.....	TS-1506061E.....	Hex. Socket Cap Screw.....	M12x45L.....	6
C74-1.....	1824FA-C74-1.....	Splitter Plate.....		1
C74-2.....	TS-1505031E.....	Hex. Socket Cap Screw.....	M10x25L.....	2
C75.....	1824FA-C75.....	Oilless Bearing.....	6040.....	2
C76.....	1824FA-C76.....	Upper Shaft.....		1
C77.....	1824FA-C77.....	Vise Cylinder.....		1
C78.....	TS-1505051E.....	Hex. Socket Cap Screw.....	M10x35L.....	4
C79.....	1824FA-C79.....	Spring Washer.....	M10.....	4
C80.....	1824FA-C80.....	Spring Pin.....	10x30L.....	2
C81.....	1824FA-C81.....	Fixing Bracket.....		1
C82.....	1824FA-C82.....	Flat Head Screw.....	3/4"x1-1/4"L.....	2
C83.....	TS-1492021E.....	Hex. Cap Bolt.....	M12x30L.....	4
C84.....	1824FA-C84.....	Spring Washer.....	M12.....	4
C85.....	TS-1525031E.....	Set Screw.....	M10x16L.....	4
C86.....	1824FA-C86.....	Down Clamp Cylinder.....		1
C87.....	1824FA-C87.....	C Ring.....	S60.....	2
C88.....	TS-1506031E.....	Hex. Socket Cap Screw.....	M12x30L.....	6
C90.....	1824FA-C90.....	Oil Nipple.....	1/8"PT.....	1
C90-1.....	1824FA-C90-1.....	Nut.....	M8.....	4
C90-2.....	TS-1524061E.....	Set Screw.....	M8x25L.....	4
C91.....	1824FA-C91.....	Upper Cover.....		1
C92.....	1824FA-C92.....	Adjusting Block.....		1
C93.....	1824FA-C93.....	Oilless Bearing.....	5540.....	2
C94.....	1824FA-C94.....	Guide Shaft.....		1
C95-1.....	1824FA-C95-1.....	Flat Head Screw.....	M12x35L.....	1
C95-2.....	1824FA-C95-2.....	Washer.....		1
C96-1.....	1824FA-C96-1.....	Press Bracket.....		1
C97.....	1824FA-C97.....	Polyurethane (PU).....	8x670L.....	1
C98.....	1824FA-C98.....	Upper Slide Plate.....		1
C99.....	TS-1506051E.....	Hex. Socket Cap Screw.....	M12x40L.....	10
C100.....	1824FA-C100.....	Hex. Cap Steel Screw.....	M12x45L.....	1
C101.....	1824FA-C101.....	Nut.....	M12.....	1
C102-1.....	1824FA-C102-1.....	Roller Bracket (Rear).....		1
C103.....	1824FA-C103.....	Shaft Washer.....		2
C104.....	1824FA-C104.....	Spring Washer.....	M16.....	2
C105.....	1824FA-C105.....	Hex. Socket Cap Screw.....	M16x40L.....	2
C106.....	1824FA-C106.....	Nut.....	M20.....	1
C107.....	1824FA-C107.....	Spring Washer.....	M20.....	1
C108.....	1824FA-C108.....	Washer.....	M20.....	1
C109.....	1824FA-C109.....	Vertical Roller Bracket.....		1
C110.....	1824FA-C110.....	Hex. Cap Steel Screw.....	M10x25L.....	4
C111.....	1824FA-C111.....	Spring Washer.....	M10.....	4
C112.....	1824FA-C112.....	Roller Bush.....		1
C115.....	1824FA-C115.....	Vertical Roller.....		1
C116.....	1824FA-C116.....	Roller Shaft.....		1

MBS-1824FA Bow Assembly

SECTION D



MBS-1824FA Bow Partslist

Index No.	Part No.	Description	Size	Q'ty
D15.....	TS-1501081E	Hex. Socket Cap Screw	M4x30L.....	2
D16.....	1824FA-D16.....	Limit Switch		1
D17-1	1824FA-D17-1.....	Wheel Shaft.....		1
D18.....	1824FA-D18.....	Slider Seat.....		1
D19.....	1824FA-D19.....	Blade Tension Cylinder		1
D20.....	1824FA-D20.....	Spring Washer	M12	4
D21.....	1824FA-D21.....	Hex. Socket Cap Screw	M12x155L.....	4
D22.....	1824FA-D22.....	Slider		1
D23.....	1824FA-D23.....	Slider Plate		2
D24.....	1824FA-D24.....	Washer.....		1
D25.....	1824FA-D25.....	Spring Washer	M12	1
D26.....	1824FA-D26.....	Hex. Cap Steel Screw	M12x30L.....	1
D27.....	TS-1504051E	Hex. Socket Cap Screw	M8x25L.....	6
D28.....	1824FA-D28.....	Spring Washer	M8	6
D29.....	1824FA-D29.....	Hex. Cap Steel Screw	M14x55L.....	3
D30.....	1824FA-D30.....	Spring Washer	M14	3
D31.....	1824FA-D31.....	Threaded Sleeve		3
D32.....	1824FA-D32.....	Blade Broken Sensor		1
D33.....	TS-1501091E	Hex. Socket Cap Screw	M4x35L.....	2
D34.....	1824FA-D34.....	Limit Switch		1
D35.....	1824FA-D35.....	Wire Fixing Plate.....		1
D36.....	1824FA-D36.....	Button Head Socket Screw	M5x6L	4
D37.....	TS-1501091E	Hex. Socket Cap Screw	M4x35L.....	2
D38.....	1824FA-D38.....	Limit Switch		1
D38-1	1824FA-D38-1.....	Limit Switch Plate		1
D39.....	1824FA-D39.....	Ring.....	S20.....	2
D40.....	1824FA-D40.....	Motor Bracket Shaft		1
D41.....	1824FA-D41.....	Adjusting Bolt.....		1
D42.....	1824FA-D42.....	Key	4x4x10L.....	1
D43.....	1824FA-D43.....	Handle.....		1
D44.....	1824FA-D44.....	Washer.....	M6	1
D45.....	TS-1503031E	Hex. Socket Cap Screw	M6x12L.....	1
D46.....	1824FA-D46.....	Motor	3.75kW 3Ph 400V.....	1
D47.....	1824FA-D47.....	Washer.....	M10	4
D48.....	1824FA-D48.....	Spring Washer	M10	4
D49.....	TS-1491041E	Hex. Cap Bolt	M10x30L.....	4
D50.....	1824FA-D50.....	Key	8x7x40.....	1
D51.....	1824FA-D51.....	Motor Supporter.....		1
D52.....	TS-1504041E	Hex. Socket Cap Screw	M8x20L.....	4
D53.....	1824FA-D53.....	Spring Washer	M8	4
D54.....	1824FA-D54.....	Motor Fixing Bracket		1
D55.....	1824FA-D55.....	Spring Pin.....	8x20L	2
D56.....	1824FA-D56.....	Reducer.....	120#1/40	1
D57.....	1824FA-D57.....	Key	14x9x50.....	1
D58.....	1824FA-D58.....	Wheel Box		1
D59.....	1824FA-D59.....	Button Head Socket Screw	M5x8L	2
D60.....	1824FA-D60.....	Belt.....	22-560C.....	2
D61.....	TS-1524041E	Set Screw	M8x16L.....	2
D62.....	1824FA-D62.....	Motor Shaft Pulley.....		1
D63.....	1824FA-D63.....	Belt Pulley		1
D64.....	1824FA-D64.....	Washer.....		1
D65.....	1824FA-D65.....	Spring Washer	M10	1
D66.....	TS-1505051E	Hex. Socket Cap Screw	M10x35L.....	1
D67.....	1824FA-D67.....	Cover		1
D68.....	1824FA-D68.....	Button Head Socket Screw	M5x8L	5
D69.....	1824FA-D69.....	Button Head Socket Screw	M5x8L	4
D70.....	1824FA-D70.....	Cover.....		1
D71.....	1824FA-D71.....	Hex. Socket Cap Screw	M6x90L.....	4
D72.....	1824FA-D72.....	Brush Motor		1
D73.....	1824FA-D73.....	Nut	M6	8

MBS-1824FA Bow Partslist

Index No.	Part No.	Description	Size	Q'ty
D74.....	TS-1504041E.....	Hex. Socket Cap Screw.....	M8x20L.....	1
D75.....	1824FA-D75.....	Spring Washer.....	M8.....	1
D76.....	1824FA-D76.....	Fixing Bracket.....		1
D77.....	1824FA-D77.....	Cover.....		1
D78.....	1824FA-D78.....	Button Head Socket Screw.....	M5x8L.....	2
D79.....	1824FA-D79.....	Universal Joint Bush.....		2
D80.....	TS-1522011E.....	Set Screw.....	M5x6L.....	8
D81.....	1824FA-D81.....	Universal Joint.....		2
D82.....	1824FA-D82.....	Key.....	4x4x15L.....	4
D83-1.....	1824FA-D83-1.....	Brush Driven Shaft.....		1
D84.....	1824FA-D84.....	Nut.....	M20.....	1
D85.....	1824FA-D85.....	Brush Shaft.....		1
D86.....	1824FA-D86.....	Wing Screw.....	M6x10L.....	1
D87.....	TS-1503051E.....	Hex. Socket Cap Screw.....	M6x20L.....	1
D88.....	1824FA-D88.....	Spring Washer.....	M6.....	1
D89.....	TS-2208201E.....	Hex. Cap Bolt.....	M8x20L.....	2
D90.....	1824FA-D90.....	Spring Washer.....	M8.....	2
D91.....	1824FA-D91.....	Washer.....	M8.....	2
D92.....	1824FA-D92.....	Fixing Bracket.....		1
D93.....	1824FA-D93.....	Brush Cover.....		1
D93-1.....	1824FA-D93-1.....	Cover.....		1
D93-2.....	1824FA-D93-2.....	Button Head Socket Screw.....	M5x8L.....	2
D94.....	1824FA-D94.....	Shaft Bush.....		1
D95.....	1824FA-D95.....	Oilless Bearing.....	1212.....	2
D96.....	1824FA-D96.....	Brush.....		1
D97.....	1824FA-D97.....	Washer.....	M6.....	1
D98.....	1824FA-D98.....	Spring Washer.....	M6.....	1
D99.....	1824FA-D99.....	Nut.....	M6.....	1
D100-1.....	1824FA-D100-1.....	Saw Bow.....		1
D101.....	1824FA-D101.....	Spring Washer.....	M12.....	4
D102.....	1824FA-D102.....	Hex. Cap Steel Screw.....	M12x45L.....	4
D102-1.....	1824FA-D102-1.....	Round Head Screw.....	M3x6L.....	2
D102-2.....	1824FA-D102-2.....	Clasp (Fixing).....		1
D103.....	1824FA-D103.....	Hex. Socket Cap Screw.....	M12x75L.....	6
D103-1.....	1824FA-D103-1.....	Cooper Catch.....		2
D103-2.....	1824FA-D103-2.....	Flat Head Socket Cap Screw.....	M3x6L.....	8
D103-3.....	1824FA-D103-3.....	Blade Baffle.....		2
D103-4.....	1824FA-D103-4.....	Spring Washer.....	M6.....	4
D103-5.....	TS-1503031E.....	Hex. Socket Cap Screw.....	M6x12L.....	4
D104-1.....	1824FA-D104-1.....	Fixing Block.....		2
D105.....	1824FA-D105.....	Oilless Bearing.....	4040.....	2
D106.....	1824FA-D106.....	Washer.....		1
D107.....	1824FA-D107.....	Bow Shaft.....		1
D108.....	1824FA-D108.....	Ring.....	S20.....	2
D109.....	1824FA-D109.....	Bracket Shaft.....		1
D110.....	1824FA-D110.....	Eye Bearing.....	POS16.....	1
D111.....	1824FA-D111.....	Nut.....	M20xP1.5.....	1
D112.....	1824FA-D112.....	Hydraulic Cylinder.....		1
D113.....	1824FA-D113.....	Hex. Socket Cap Screw.....	M8x20L.....	2
D114.....	1824FA-D114.....	Lower Bracket.....		1
D115.....	1824FA-D115.....	Bracket Shaft.....		1
D116.....	1824FA-D116.....	Ring.....	S20.....	2
D117.....	TS-1504081E.....	Hex. Socket Cap Screw.....	M8x40L.....	2
D118.....	1824FA-D118.....	Spring Washer.....	M8.....	2
D119.....	1824FA-D119.....	Blade Guide Block (POM).....		1
D120.....	1824FA-D120.....	Steel Plate Bracket.....		2
D121.....	1824FA-D121.....	Washer.....	M10.....	4
D122.....	1824FA-D122.....	Spring Washer.....	M10.....	4
D123.....	TS-1505041E.....	Hex. Socket Cap Screw.....	M10x30L.....	4

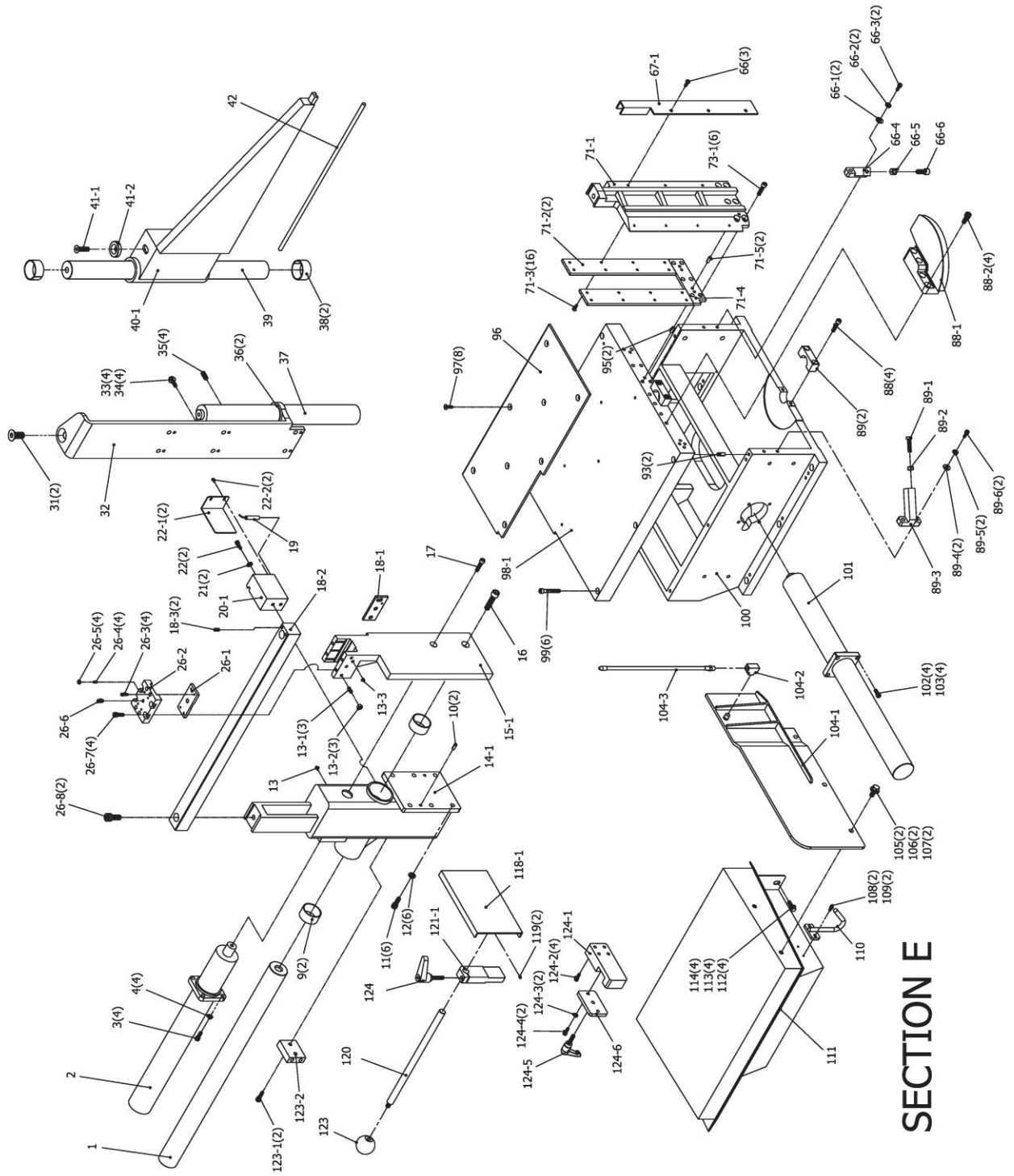
MBS-1824FA Bow Partslist

Index No.	Part No.	Description	Size	Q'ty
D124-1	1824FA-D124-1	Shaft		2
D125	1824FA-D125	Blade Guide Wheel		2
D126	1824FA-D126	Bearing	6005	4
D127	1824FA-D127	Ring	R42	2
D128	1824FA-D128	Washer	M12	2
D129	1824FA-D129	Spring Washer	M12	2
D130	TS-1506091E	Hex. Socket Cap Screw	M12x60L	2
D130-1	1824FA-D130-1	Clasp (Fixing)		1
D130-2	1824FA-D130-2	Round Head Screw	M3x6L	2
D131	1824FA-D131	Bearing	32009	2
D131-1	TS-1513031	Flat Head Socket Cap Screw	M5x16L	4
D131-2	1824FA-D131-2	Saw Frame Broken Connected Plate		2
D132	1824FA-D132	Idle Wheel		1
D133	1824FA-D133	Shaft Cover		2
D134	1824FA-D134	Teeth Washer	AW09	1
D135	1824FA-D135	Shaft Nut	AN09	1
D136	1824FA-D136	Steel Plate		1
D137	1824FA-D137	Steel Scale		1
D138	1824FA-D138	Round Head Screw	M5x8L	5
D138-1	TS-1503031E	Hex. Socket Cap Screw	M6x12L	2
D138-2	1824FA-D138-2	Spring Washer	M6	2
D138-3	1824FA-D138-3	Water Jet Bracket		1
D139	1824FA-D139	Position Plate		2
D140-1	1824FA-D140-1	Blade Protector		1
D141-1	1824FA-D141-1	Button Head Socket Screw	M5x8L	2
D143	1824FA-D143	Locking Handle	M12x50L	1
D144	TS-1505051E	Hex. Socket Cap Screw	M10x35L	4
D145	1824FA-D145	Washer	M10	4
D146	1824FA-D146	Spring Washer	M10	4
D147-3	1824FA-D147-3	Clasp Stool Plate		1
D147-4	1824FA-D147-4	Clasp (Activity)		1
D147-5	1824FA-D147-5	Round Head Screw	M3x12L	2
D148	1824FA-D148	Fixing Block		2
D149	TS-2248302E	Button Head Socket Screw	M8x30	4
D150	1824FA-D150	Solid Pin	8x70L	2
D151	TS-2246162E	Button Head Socket Screw	M6x16L	4
D152	1824FA-D152	Bow Cover Locker		2
D153-2	1824FA-D153-2	Bow Cover		1
D153-3	1824FA-D153-3	Cover		1
D153-2	1824FA-D153-2	Button Head Socket Screw	M5x8L	2
D154-1	1824FA-D154-1	Blade Protector		1
D155-1	1824FA-D155-1	Button Head Socket Screw	M5x8L	2
D157	TS-2249352E	Hex. Socket Cap Screw	M10x35L	4
D158	1824FA-D158	Washer	M10	4
D159	1824FA-D159	Spring Washer	M10	4
D160	1824FA-D160	Rear Bearing Bracket		1
D160-1	1824FA-D160-1	Hex. Cap Steel Screw	M12x50L	1
D161	1824FA-D161	Front Bearing Bracket		1
D162	TS-1524041E	Set Screw	M8x16L	6
D163	TS-1505021E	Hex. Socket Cap Screw	M10x20L	4
D164	TS-1525031E	Set Screw	M10x16L	4
D164-1	1824FA-D164-1	Projecting Lamp Fixed Plate		1
D164-2	1824FA-D164-2	Halogen Lamp		1
D164-3	1824FA-D164-3	Round Head Screw	M6x10L	4
D164-4	TS-1502021E	Hex. Socket Cap Screw	M5x10L	4
D164-5	1824FA-D164-5	Spring Washer	M6	4
D164-6	1824FA-D164-6	Spring Washer	M5	4
D165	1824FA-D165	Driver Wheel		1
D165-1	1824FA-D165-1	Coolant Tray		1

MBS-1824FA Bow Partslist

Index No.	Part No.	Description	Size	Q'ty
D165-2	1824FA-D165-2	Button Head Socket Screw	M5x8L	4
D166-1	1824FA-D166-1	Washer		1
D167-1	1824FA-D167-1	Hex. Cap Steel Screw	M12x30L	1
D167-2	1824FA-D167-2	Spring Washer	M12	1
D168	1824FA-D168	Spring	9.0x56x54N	3
D169	TS-2249252E	Hex. Socket Cap Screw	M10x25L	3
D170	1824FA-D170	Spring Washer	M10	3
D171-1	1824FA-D171-1	Bracket		1
D172	1824FA-D172	Washer	1/2"	6
D173	1824FA-D173	Nut	1/2"	6
D174	1824FA-D174	Clasp Stool Plate		1
D175	1824FA-D175	Clasp (Activity)		1
D176	1824FA-D176	Round Head Screw	M3x12L	2
D177	1824FA-D177	Big Round Head Screw	M6x12L	2
D178	1824FA-D178	Bending Handle		1
D179	1824FA-D179	Washer	M8	2
D180	1824FA-D180	Spring Washer	M8	2
D181	TS-2208201E	Hex. Cap Bolt	M8x20L	2
D182	1824FA-D182	Buckle Cuff		1
D183	TS-1521051E	Set Screw	M4x12L	1
D184	1824FA-D184	Long Fork Buckle		1
D185	TS-2248252E	Button Head Socket Screw	M8x25L	1
D186	1824FA-D186	Contact Plate Spring		1
D187	1824FA-D187	Nut	M8	1
D188	1824FA-D188	Saw Frame Cover Long Fork		1
D189	1824FA-D189	Saw Frame Cover Short Fork		1
D190	TS-2248252E	Button Head Socket Screw	M8x25L	1
D191	TS-2248252E	Button Head Socket Screw	M8x25L	1
D192	1824FA-D192	Short Fork Cuff		1
D193	1824FA-D193	Nut	M8	1
D194	TS-2248252E	Button Head Socket Screw	M8x25L	1
D195	1824FA-D195	Long Fork Cuff		1
D196	TS-2208201E	Hex. Cap Bolt	M8x20L	1
D197	1824FA-D197	Long Fork Bracket		1
D198	TS-1521051E	Set Screw	M4x12L	1

MBS-1824FA Base Assembly



SECTION E

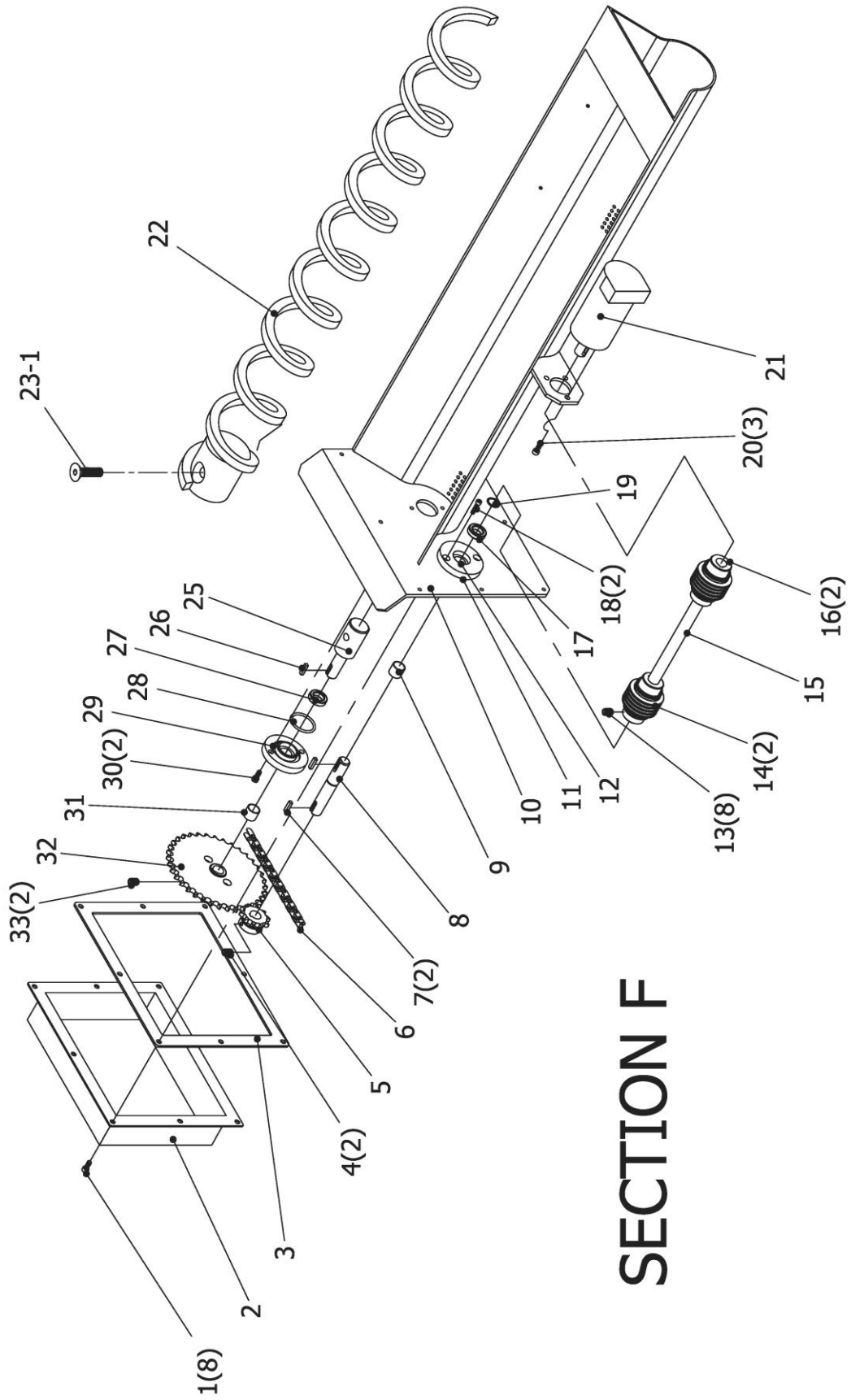
MBS-1824FA Base Partslist

Index No.	Part No.	Description	Size	Qty
E1	1824FA-E1	Vise Shaft		1
E2	1824FA-E2	Vise Cylinder		1
E3	TS-1505051E	Hex. Socket Cap Screw	M10x35L	4
E4	1824FA-E4	Spring Washer	M10	4
E9	1824FA-E9	Oilless Bearing	SPB-60x75x50	2
E10	1824FA-E10	Spring Pin	10x30L	2
E11	1824FA-E11	Hex. Cap Steel Screw	M12x40L	6
E12	1824FA-E12	Spring Washer	M12	6
E13	1824FA-E13	Oil Nipple	1/8"PT	1
E13-1	TS-1525051E	Set Screw	M10x25L	3
E13-2	1824FA-E13-2	Nut	M10	3
E13-3	1824FA-E13-3	Oil Nipple	1/8"PT	1
E14-1	1824FA-E14-1	Cylinder Bracket		1
E15-1	1824FA-E15-1	Vise Jaw		1
E16	1824FA-E16	Hex. Socket Cap Screw	M16x25L	1
E17	1824FA-E17	Hex. Socket Cap Screw	M14x25L	1
E18-1	1824FA-E18-1	Lateral Adjusting Plate		1
E18-2	1824FA-E18-2	Upper Slider Block		1
E18-3	TS-1525051E	Set Screw	M10x25L	2
E19	1824FA-E19	Zero Point Sensor		1
E20-1	1824FA-E20-1	Sensor Bracket		1
E21	1824FA-E21	Spring Washer	M8	2
E22	TS-1504031E	Hex. Socket Cap Screw	M8x16L	2
E22-1	1824FA-E22-1	Sensor Cover		1
E22-2	1824FA-E22-2	Button Head Socket Screw	M5x8L	2
E26-1	1824FA-E26-1	Adjusting Plate		1
E26-2	1824FA-E26-2	Cover		1
E26-3	TS-1503051E	Hex. Socket Cap Screw	M6x20L	4
E26-4	1824FA-E26-4	Nut	M6	4
E26-5	TS-1523071E	Set Screw	M6x25L	4
E26-6	1824FA-E26-6	Oil Nipple	1/8"PT	1
E26-7	TS-1505031E	Hex. Socket Cap Screw	M10x25L	4
E26-8	TS-1503111E	Hex. Socket Cap Screw	M6x50L	2
E31	1824FA-E31	Flat Head Screw	3/4"x1-1/4"L	2
E32	1824FA-E32	Fixing Bracket		1
E33	TS-1492021E	Hex. Cap Bolt	M12x30L	4
E34	1824FA-E34	Spring Washer	M12	4
E35	TS-1525031E	Set Screw	M10x16L	4
E36	1824FA-E36	C Ring	S60	2
E37	1824FA-E37	Press Cylinder		1
E38	1824FA-E38	Oilless Bearing	5540	2
E39	1824FA-E39	Guide Shaft		1
E40-1	1824FA-E40-1	Press Bracket		1
E41-1	1824FA-E41-1	Flat Head Screw	M12x35L	1
E41-2	1824FA-E41-2	Washer		1
E42	1824FA-E42	Polyurethane (PU)	8x670L	1
E66	TS-2248122E	Button Head Socket Screw	M8x12L	3
E66-1	1824FA-E66-1	Washer	M10	2
E66-2	1824FA-E66-2	Spring Washer	M10	2
E66-3	TS-1505041E	Hex. Socket Cap Screw	M10x30L	2
E66-4	1824FA-E66-4	45° Position Block		1
E66-5	1824FA-E66-5	Nut	M12	1
E66-6	TS-1492021E	Hex. Cap Bolt	M12x30L	1
E67-1	1824FA-E67-1	Guide Plate		1
E71-1	1824FA-E71-1	Rear Fixed Vise		1
E71-2	1824FA-E71-2	Rear Vise Steel Plate		2
E71-3	1824FA-E71-3	Flat Head Screw	M6x15L	16
E71-4	1824FA-E71-4	Plate		1
E71-5	1824FA-E71-5	Spring Pin	8x20L	2
E73-1	TS-1506061E	Hex. Socket Cap Screw	M12x45L	6

MBS-1824FA Base Partslist

Index No.	Part No.	Description	Size	Qty
E88	TS-1505051E	Hex. Socket Cap Screw	M10x35L	4
E88-1	1824FA-E88-1	Upper Plate		1
E88-2	TS-1506021E	Hex. Socket Cap Screw	M12x25L	4
E89	1824FA-E89	Seating Block		2
E89-1	TS-1492021E	Hex. Cap Bolt	M12x30L	1
E89-2	1824FA-E89-2	Nut	M12	1
E89-3	1824FA-E89-3	0° Positioning Block		1
E89-4	1824FA-E89-4	Washer	M10	2
E89-5	1824FA-E89-5	Spring Washer	M10	2
E89-6	TS-1505041E	Hex. Socket Cap Screw	M10x30L	2
E93	1824FA-E93	Spring Pin	8x20L	2
E95	1824FA-E95	Spring Pin	8x20L	2
E96	1824FA-E96	Cutting Plate		1
E97	TS-1515011E	Flat Head Screw	M8x16L	8
E98-1	1824FA-E98-1	Cutting Table		1
E99	TS-1505111E	Hex. Socket Cap Screw	M10x70L	6
E100	1824FA-E100	Cutting Table Seat		1
E101	1824FA-E101	Feeding Cylinder		1
E102	1824FA-E102	Spring Washer	M10x35L	4
E103	1824FA-E103	Hex. Socket Cap Screw	M10	4
E104-1	1824FA-E104-1	Lateral Plate		1
E104-2	1824FA-E104-2	Tee Pipe	1/4PT	1
E104-3	1824FA-E104-3	Water Pipe	SP103-1/4"x30"	1
E105	1824FA-E105	Hex. Cap Bolt	M12x25L	2
E106	1824FA-E106	Spring Washer	M12	2
E107	1824FA-E107	Washer	M12	2
E108	TS-1503051E	Hex. Socket Cap Screw	M6x20L	2
E109	1824FA-E109	Spring Washer	M6	2
E110	1824FA-E110	Coolant Gun Holder		1
E111	1824FA-E111	Retrieval Table		1
E112	TS-1492011E	Hex. Cap Bolt	M12x25L	4
E113	1824FA-E113	Spring Washer	M12	4
E114	1824FA-E114	Washer	M12	4
E118-1	1824FA-E118-1	Left Lateral Plate		1
E119	1824FA-E119	Set Screw	M8x6L	2
E120	1824FA-E120	Adjusting Shaft		1
E121-1	1824FA-E121-1	Left Plate Socket		1
E123	1824FA-E123	Bakelite Ball	2"x1/2"x12W	1
E123-1	TS-1505031E	Hex. Socket Cap Screw	M10x25L	2
E123-2	1824FA-E123-2	Splitter Plate		1
E124	1824FA-E124	Lock Handle	3/8" W	1
E124-1	1824FA-E124-1	Left Position Blocker		1
E124-2	TS-1504081E	Hex. Socket Cap Screw	M8x40L	4
E124-3	1824FA-E124-3	Spring Washer	M8	2
E124-4	TS-1504041E	Hex. Socket Cap Screw	M8x20L	2
E124-5	1824FA-E124-5	Handle	M10x30L	1
E124-6	1824FA-E124-6	Blocker Cover		1

MBS-1824FA Auto Chip Conveyor Assembly

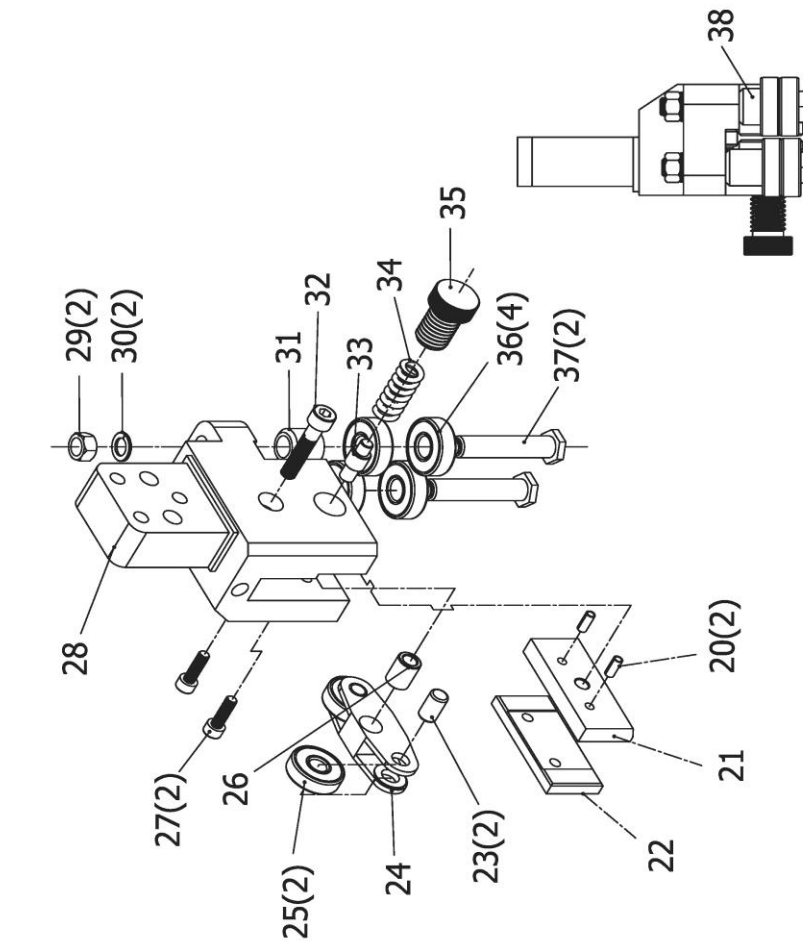


MBS-1824FA Auto Chip Conveyor Partslist

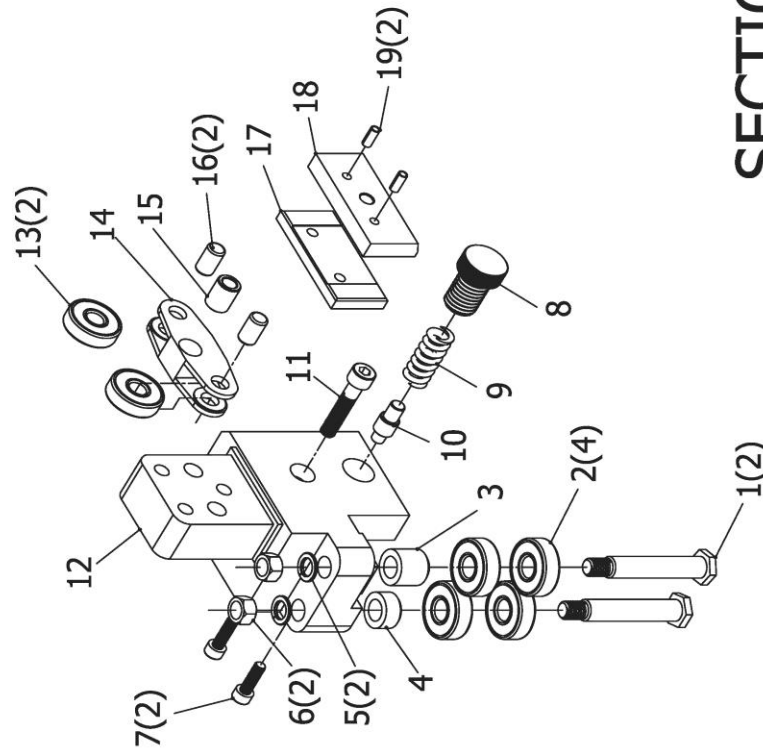
Index No.	Part No.	Description	Size	Q'ty
F1	TS-2246082E	Button Head Socket Screw	M6x8L	8
F2	1824FA-F2	Cover		1
F3	1824FA-F3	Rubber Seal		1
F4	TS-1523011E	Set Screw	M6x6L	2
F5	1824FA-F5	Small Chain Wheel		1
F6	1824FA-F6	Chain		1
F7	1824FA-F7	Key	5x5x20L	2
F8	1824FA-F8	Small Chain Wheel Shaft		1
F9	1824FA-F9	Oilless Bearing	1625	1
F10	1824FA-F10	Conveyer Base		1
F11	1824FA-F11	Small Shaft Bush		1
F12	1824FA-F12	O Ring	P32	1
F13	TS-2276081E	Set Screw	M6x8L	8
F14	1824FA-F14	Rubber Cover		2
F15	1824FA-F15	Drive Shaft		1
F16	1824FA-F16	Universal Joint		2
F17	1824FA-F17	Oil Seal	16x26x7	1
F18	TS-1503031E	Hex. Socket Cap Screw	M6x12L	2
F19	1824FA-F19	C Ring	S-16	1
F20	1824FA-F20	Hex. Socket Cap Screw	M6x12L	3
F21	1824FA-F21	Hydraulic Motor		1
F22	1824FA-F22	Conveyer Screw		1
F23-1	1824FA-F23-1	Flat Head Screw	M8x60L	1
F25	1824FA-F25	Large Chain Wheel Shaft		1
F26	1824FA-F26	Key	5x5x20L	1
F27	1824FA-F27	Oil Seal	16x26x7	1
F28	1824FA-F28	O Ring	P32	1
F29	1824FA-F29	Shaft Bush		1
F30	TS-1503011E	Hex. Socket Cap Screw	M6x8L	2
F31	1824FA-F31	Oilless Bearing	1625	1
F32	1824FA-F32	Large Chain Wheel		1
F33	TS-1523011E	Set Screw	M6x6L	2

MBS-1824FA Bearing Guide Assembly

REAR BEARING SEAT



FRONT BEARING SEAT



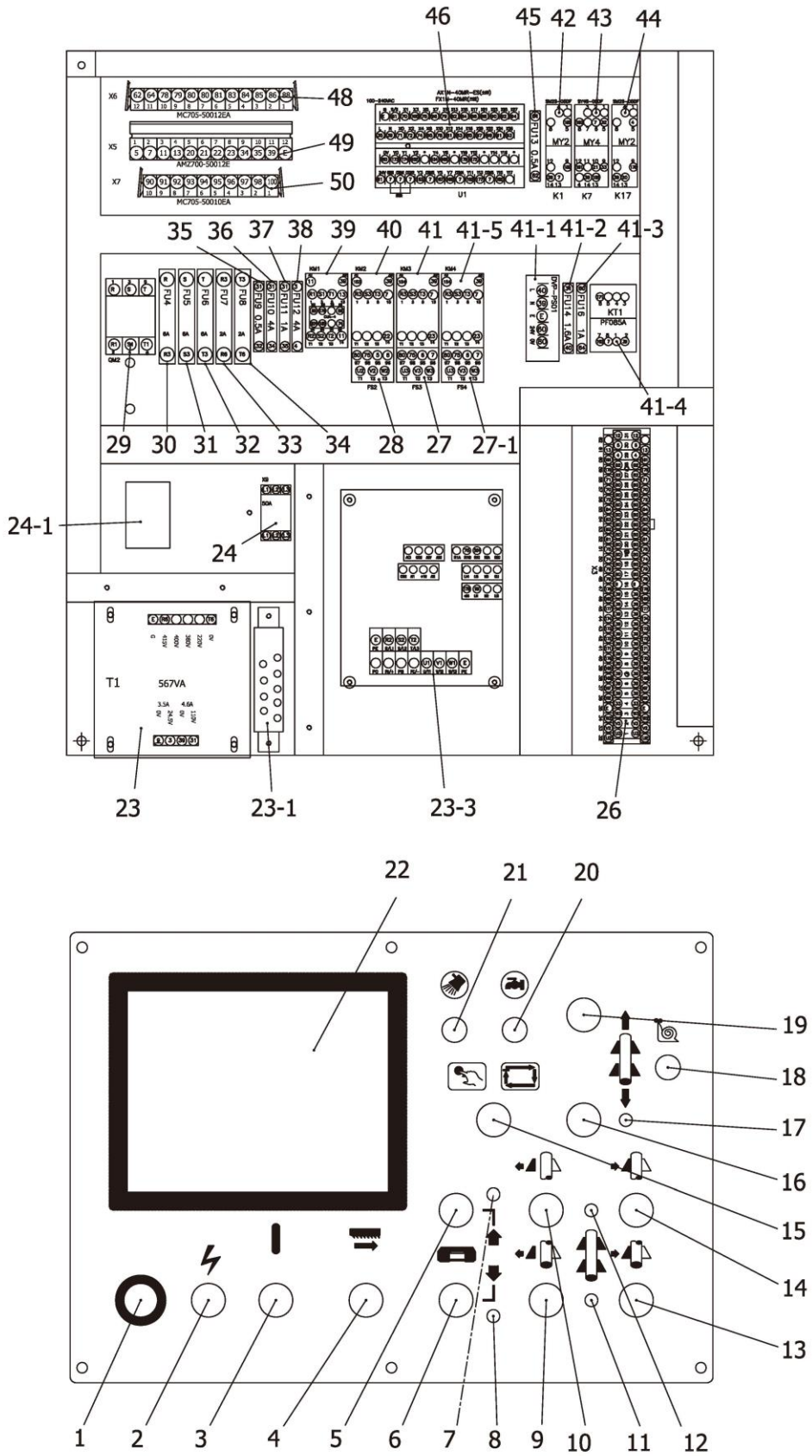
SECTION G

MBS-1824FA Bearing Guide Partslist

Index No.	Part No.	Description	Size	Q'ty
	1824FA-FBSA	Front Bearing Seat Assembly (included 1~19)		
G1	1824FA-G1	Bearing Long Shaft		2
G2	1824FA-G2	Bearing	6201	4
G3	1824FA-G3	Shaft Bush (Long)		1
G4	1824FA-G4	Long Shaft Bush		1
G5	1824FA-G5	Spring Washer	M10	2
G6	1824FA-G6	Nut	M10	2
G7	TS-1503051E	Hex. Socket Cap Screw	M6x20L	2
G8	1824FA-G8	Adjusting Screw		1
G9	1824FA-G9	Spring		1
G10	1824FA-G10	Guide Pin		1
G11	TS-1504081E	Hex. Socket Cap Screw	M8x40L	1
G12	1824FA-G12	Front Bearing Seat		1
G13	1824FA-G13	Bearing 6200	BB2149	2
G14	1824FA-G14	Bearing Bracket		1
G15	1824FA-G15	Bush		1
G16	1824FA-G16	Solid Pin	10x17L	2
G17	1824FA-G17	Carbide Guide (fixed) w/slot		1
G18	1824FA-G18	Carbide Guide (adjustable) w/slot		1
G19	1824FA-G19	Spring Pin	D5x12L	2
	1824FA-RBSA	Rear Bearing Seat Assembly (included 20~38)		
G20	1824FA-G20	Spring Pin	D5x12L	2
G21	1824FA-G21	Carbide Guide (adjustable) w/o slot		1
G22	1824FA-G22	Carbide Guide (fixed) w/o slot		1
G23	1824FA-G23	Solid Pin	10x17L	2
G24	1824FA-G24	Bearing Bracket		1
G25	1824FA-G25	Bearing	6200	2
G26	1824FA-G26	Bush		1
G27	TS-1503051E	Hex. Socket Cap Screw	M6x20L	2
G28	1824FA-G28	Rear Bearing Seat		1
G29	1824FA-G29	Nut	M10	2
G30	1824FA-G30	Spring Washer	M10	2
G31	1824FA-G31	Shaft Bush (Long)		1
G32	TS-1504081E	Hex. Socket Cap Screw	M8x40L	1
G33	1824FA-G33	Guide Pin		1
G34	1824FA-G34	Spring		1
G35	1824FA-G35	Adjusting Screw		1
G36	1824FA-G36	Bearing	6201	4
G37	1824FA-G37	Bearing Long Shaft		2
G38	1824FA-G38	Long Shaft Bush		1

MBS-1824FA Electric Box Assembly

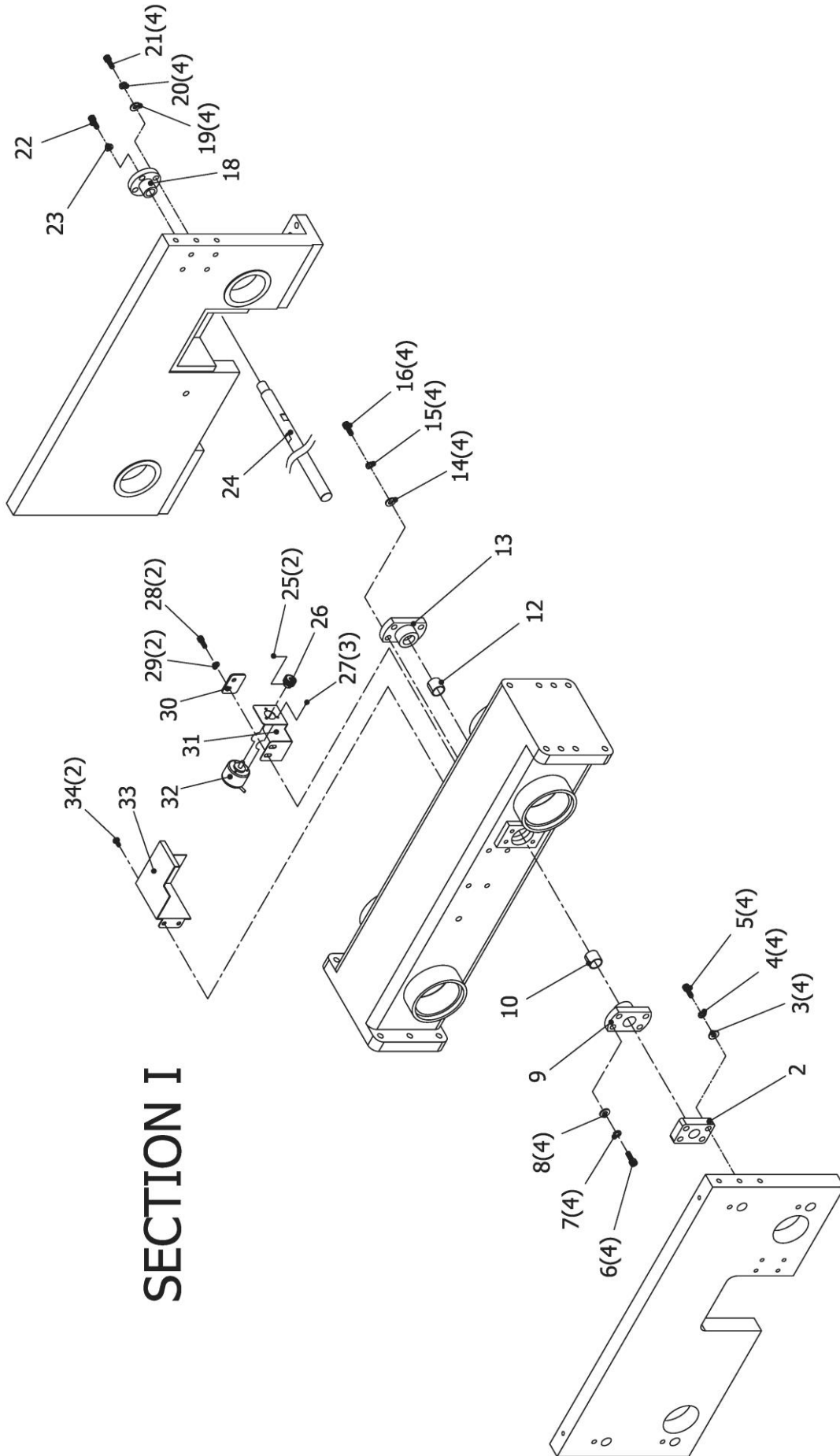
SECTION H



MBS-1824FA Electric Box Partslist

Index No.	Part No.	Description	Size	Q'ty
H1	1824FA-H1	Emergency Stop Button	SB1	1
H2	1824FA-H2	Power Indicator Light	HL1	1
H3	1824FA-H3	Hydraulic Start Button	SB2/HL3	1
H4	1824FA-H4	Operation Start Button	SB3/HL2	1
H5	1824FA-H5	Bow Up Button	SB5	1
H6	1824FA-H6	Bow Down Button	SB6	1
H7	1824FA-H7	LED Light	HL7	1
H8	1824FA-H8	LED Light	HL8	1
H9	1824FA-H9	Bench Vise Open Button	SB8	1
H10	1824FA-H10	Shuttle Vise Open Button	SB10	1
H11	1824FA-H11	LED Light	HL10	1
H12	1824FA-H12	LED Light	HL11	1
H13	1824FA-H13	Bench Vise Close Button	SB7	1
H14	1824FA-H14	Shuttle Vise Close Button	SB9	1
H15	1824FA-H15	Select Switch	SA2	1
H16	1824FA-H16	Shuttle Vise Forward Button	SB11	1
H17	1824FA-H17	LED Light	HL12	1
H18	1824FA-H18	Cover		1
H19	1824FA-H19	Shuttle Vise Backward Button	SB12	1
H20	1824FA-H20	Coolant Pump Button	SB4/HL4	1
H21	1824FA-H21	Light Button	SB14/HL14	1
H22	1824FA-H22	Touch Screen	HMI	1
H23	1824FA-H23	Transformer	T1, 567VA	1
H23-1	1824FA-H23-1	Terminal Blocker (earth wire)		1
H23-3	1824FA-H23-3	Inverter	5HP	1
H24	1824FA-H24	Power in Connecting Board	X9	1
H24-1	1824FA-H24-1	Breaker of Heater		1
H26	1824FA-H26	Terminal Board	X3	1
H27	1824FA-H27	Coolant Motor Overload Relay	FS3	1
H27-1	1824FA-H27-1	Brush Motor Overload Relay	FS4	1
H28	1824FA-H28	Hydraulic Motor Overload Relay	FS2	1
H29	1824FA-H29	Motor Circular Protector	QM2	1
H30	1824FA-H30	Power in Fuse	FU4, 8A	1
H31	1824FA-H31	Power in Fuse	FU5, 8A	1
H32	1824FA-H32	Power in Fuse	FU6, 8A	1
H33	1824FA-H33	Transformer Power in Fuse	FU7, 2A	1
H34	1824FA-H34	Transformer Power in Fuse	FU8, 2A	1
H35	1824FA-H35	Inverter Fan Output Fuse	FU9, 500mA	1
H36	1824FA-H36	Transformer Output Fuse (AC100V)	FU10, 4A	1
H37	1824FA-H37	Transformer Output Fuse (AC100V)	FU11, 1A	1
H38	1824FA-H38	Transformer Output Fuse (AC24V)	FU12, 4A	1
H39	1824FA-H39	Blade Motor Contactor	KM1	1
H40	1824FA-H40	Hydraulic Motor Contactor	KM2	1
H41	1824FA-H41	Coolant Motor Contactor	KM3	1
H41-1	1824FA-H41-1	Power Supplier	U5	1
H41-2	1824FA-H41-2	Power Supplier Input Fuse	FU14, 1.6A	1
H41-3	1824FA-H41-3	Power Supplier output Fuse	FU16, 1A	1
H41-4	1824FA-H41-4	Time meter	KT1	1
H41-5	1824FA-H41-5	Brush Motor Contactor	KM4	1
H42	1824FA-H42	Relay	K1	1
H43	1824FA-H43	Relay	K7	1
H44	1824FA-H44	Relay	K17	1
H45	1824FA-H45	Power Supply Fuse (DC24V)	FU13, 500mA	1
H46	1824FA-H46	PLC	U1	1
H48	1824FA-H48	Connector	X6	1
H49	1824FA-H49	Connector	X5	1
H50	1824FA-H50	Connector	X7	1

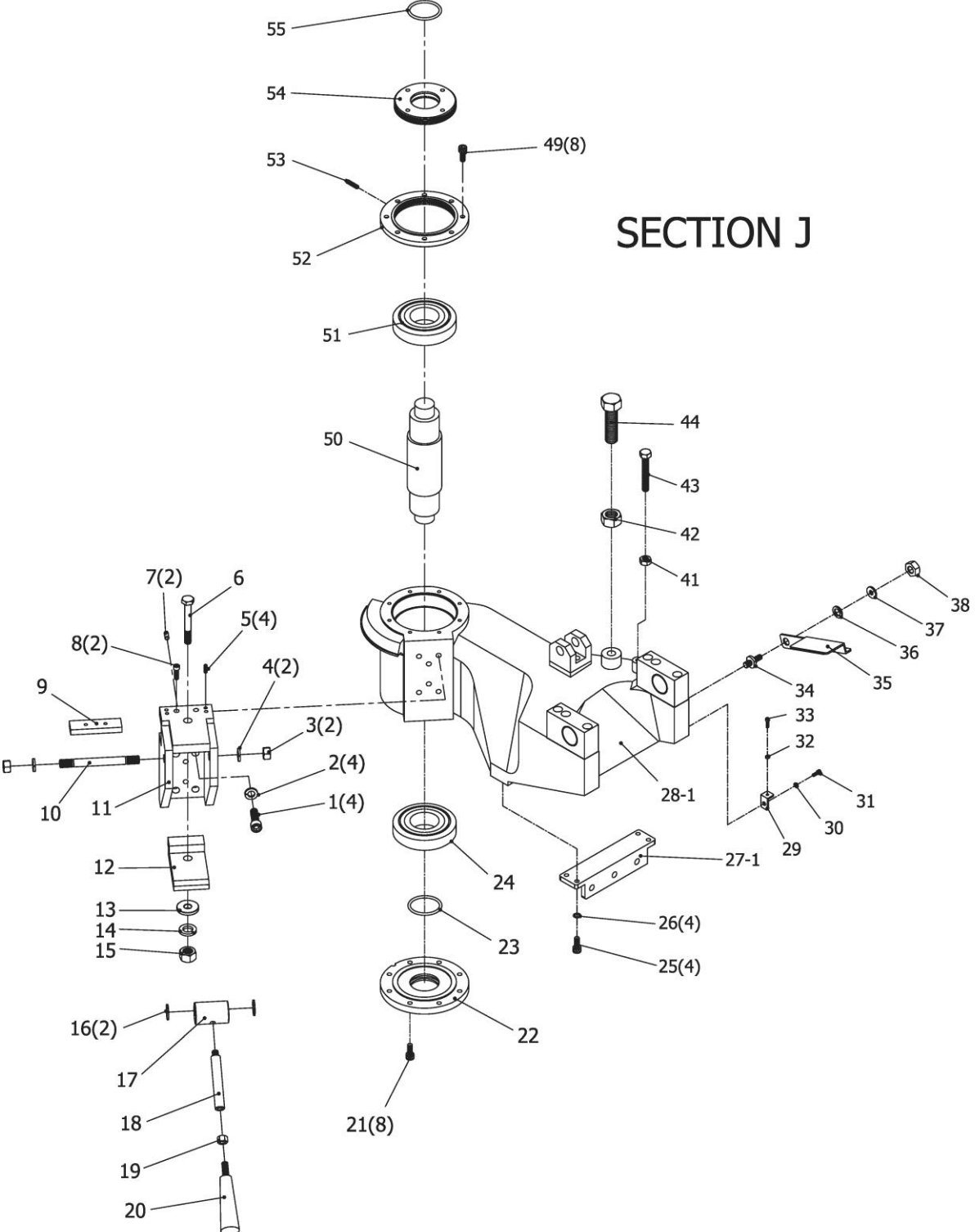
MBS-1824FA Auto Feed Assembly



MBS-1824FA Auto Feed Partslist

Index No.	Part No.	Description	Size	Q'ty
I2	1824FA-I2	Shaft Fixing Plate		1
I3	1824FA-I3	Washer	M8	4
I4	1824FA-I4	Spring Washer	M8	4
I5	TS-1504051E	Hex. Socket Cap Screw	M8x25L	4
I6	TS-1504051E	Hex. Socket Cap Screw	M8x25L	4
I7	1824FA-I7	Spring Washer	M8	4
I8	1824FA-I8	Washer	M8	4
I9	1824FA-I9	Support Block		1
I10	1824FA-I10	Oilless Bearing	BB2103	1
I12	1824FA-I12	Oilless Bearing	BB2103	1
I13	1824FA-I13	Support Block		1
I14	1824FA-I14	Washer	M8	4
I15	1824FA-I15	Spring Washer	M8	4
I16	TS-1504051E	Hex. Socket Cap Screw	M8x25L	4
I18	1824FA-I18	Shaft Bush		1
I19	1824FA-I19	Washer	M8	4
I20	1824FA-I20	Spring Washer	M8	4
I21	TS-1504051E	Hex. Socket Cap Screw	M8x25L	4
I22	TS-1504051E	Hex. Socket Cap Screw	M8x25L	1
I23	1824FA-I23	Spring Washer	M8	1
I24	1824FA-I24	Gear Shaft		1
I25	TS-1521011E	Set Screw	M4x4L	2
I26	1824FA-I26	Length Gear		1
I27	1824FA-I27	Round Head Screw	M4x6L	3
I28	TS-1503031E	Hex. Socket Cap Screw	M6x12L	2
I29	1824FA-I29	Spring Washer	M6	2
I30	1824FA-I30	Press Plate		1
I31	1824FA-I31	Fixing Bracket		1
I32	1824FA-I32	Encoder		1
I33	1824FA-I33	Encoder Cover		1
I34	TS-2246202E	Button Head Socket Screw	M6x20L	2

MBS-1824FA Rotary Mechanism Assembly

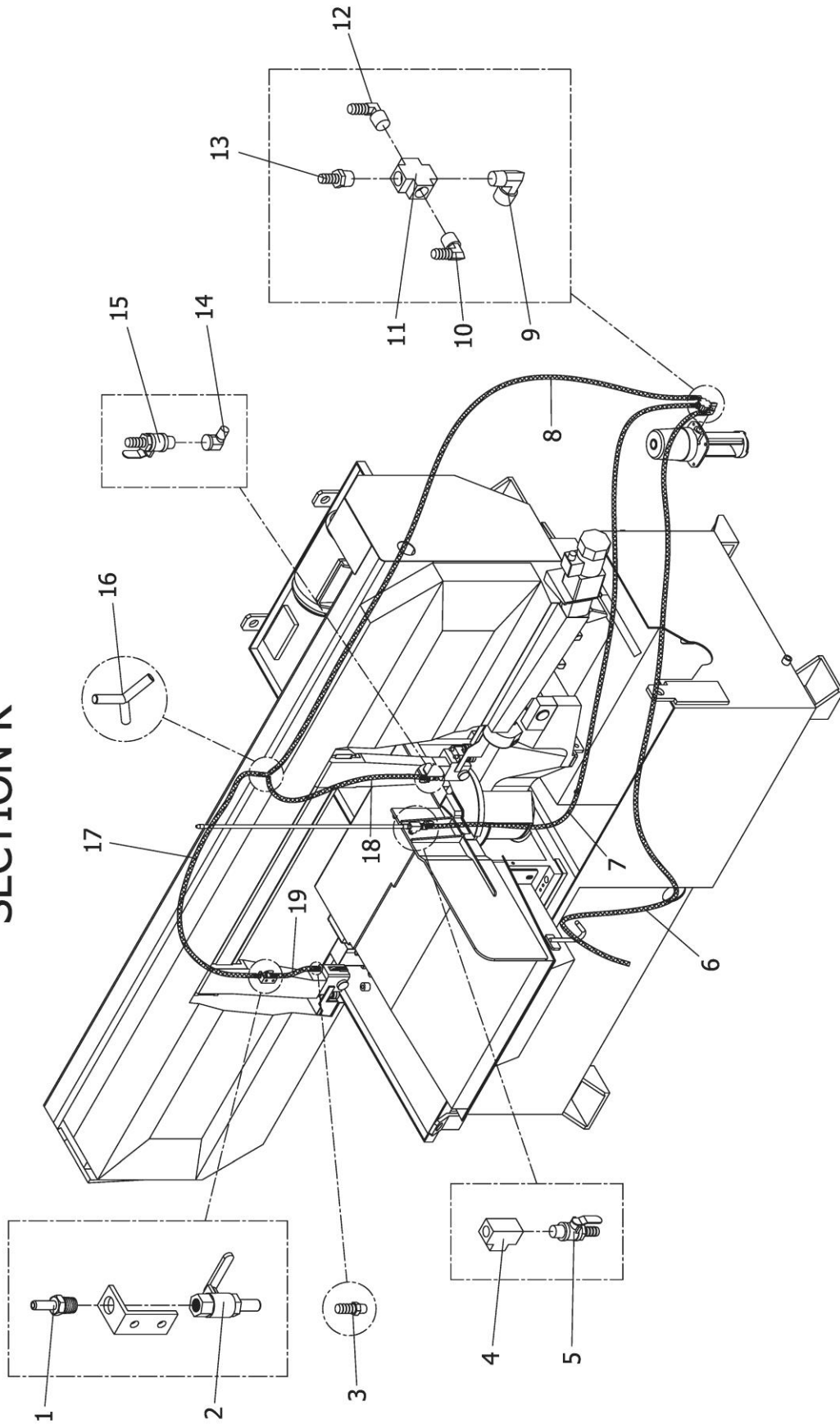


MBS-1824FA Rotary Mechanism Partslist

Index No.	Part No.	Description	Size	Q'ty
J1	1824FA-J1	Hex. Socket Cap Screw	M14x40L	4
J2	1824FA-J2	Spring Washer	M14	4
J3	1824FA-J3	Nylon Nut	M16	2
J4	1824FA-J4	Spring Washer	M16	2
J5	TS-1524051E	Set Screw	M8x20L	4
J6	1824FA-J6	Hex. Cap Steel Screw	M16x120L	1
J7	1824FA-J7	Spring Pin	10x20L	2
J8	TS-1504061E	Hex. Socket Cap Screw	M8x30L	2
J9	1824FA-J9	Up Block		1
J10	1824FA-J10	Cam Shaft		1
J11	1824FA-J11	Fixed Bracket		1
J12	1824FA-J12	Lower Block		1
J13	1824FA-J13	Washer	M16	1
J14	1824FA-J14	Spring Washer	M16	1
J15	1824FA-J15	Nylon Nut	M16	1
J16	1824FA-J16	Washer	M16	2
J17	1824FA-J17	Cam		1
J18	1824FA-J18	Handle		1
J19	1824FA-J19	Nut	M12	1
J20	1824FA-J20	Handle		1
J21	TS-1504041E	Hex. Socket Cap Screw	M8x20L	8
J22	1824FA-J22	Lower Cover		1
J23	1824FA-J23	Oil Ring	P60	1
J24	1824FA-J24	Bearing	30312	1
J25	TS-1504051E	Hex. Socket Cap Screw	M8x25L	4
J26	1824FA-J26	Spring Washer	M8	4
J27-1	1824FA-J27-1	Lower Bracket		1
J28-1	1824FA-J28-1	Swivel Seat		1
J29	1824FA-J29	Limit Switch Bracket		1
J30	1824FA-J30	Spring Washer	M8	1
J31	TS-2248122E	Button Head Socket Screw	M8x12L	1
J32	1824FA-J32	Nut	1/4"	1
J33	1824FA-J33	Hex. Cap Bolt	1/4"x1"L	1
J34	1824FA-J34	Position Screw		1
J35	1824FA-J35	Adjusting Plate		1
J36	1824FA-J36	Fix Screw Plastic Steel Washer		1
J37	1824FA-J37	Fix Screw Washer		1
J38	1824FA-J38	Nylon Nut	M10	1
J41	1824FA-J41	Nut	M10	1
J42	1824FA-J42	Nut	M20	1
J43	TS-1491101E	Hex. Cap Bolt	M10x60L	1
J44	1824FA-J44	Hex. Cap Bolt	M20x65L	1
J49	TS-1504041E	Hex. Socket Cap Screw	M8x20L	8
J50	1824FA-J50	Swivel Center Shaft		1
J51	1824FA-J51	Bearing	30312	1
J52	1824FA-J52	Upper Cover		1
J53	TS-1523071E	Set Screw	M6x25L	1
J54	1824FA-J54	Tighten Cover		1
J55	1824FA-J55	Oil Ring	P60	1

MBS-1824FA Coolant System Assembly

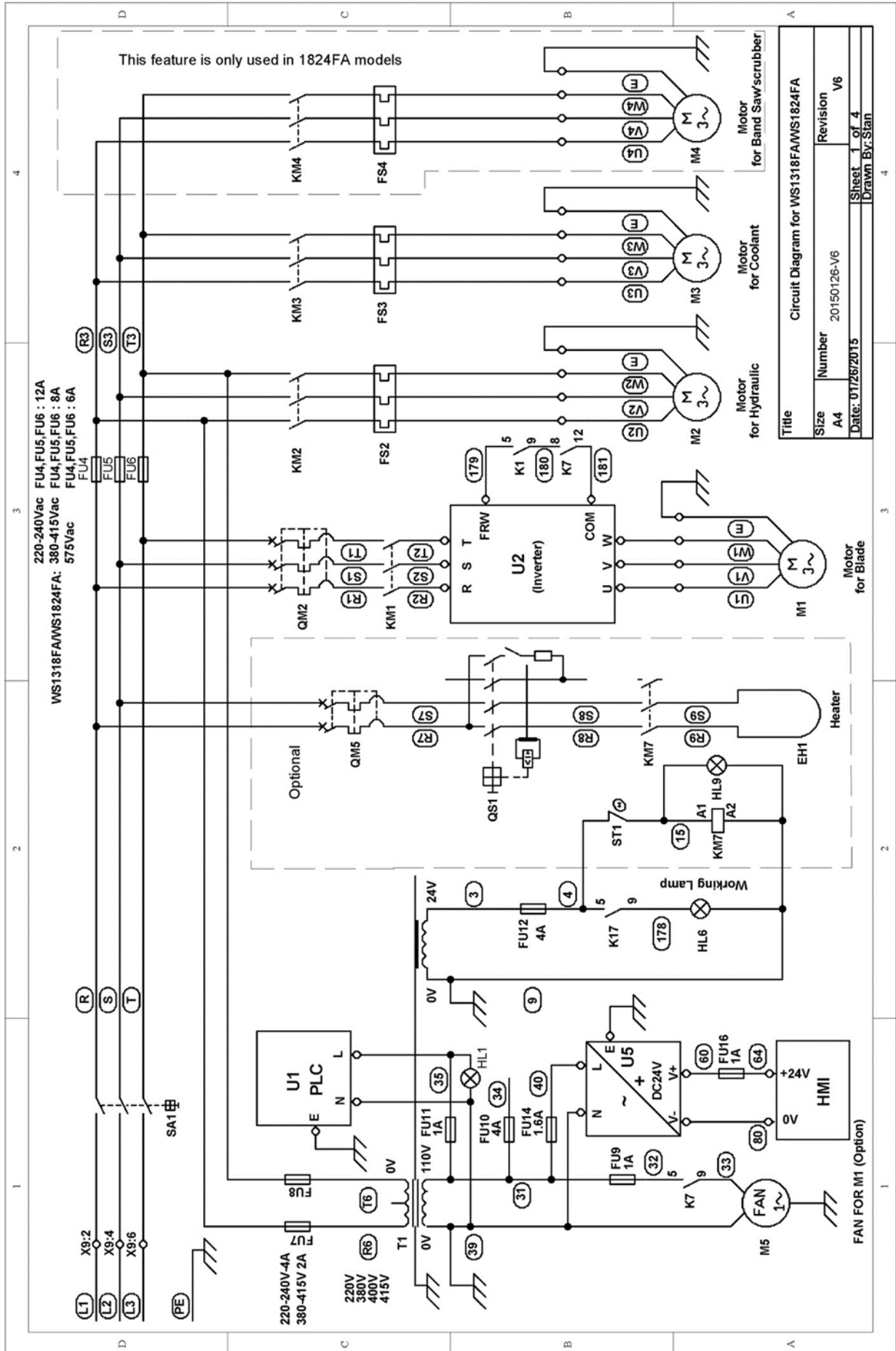
SECTION K



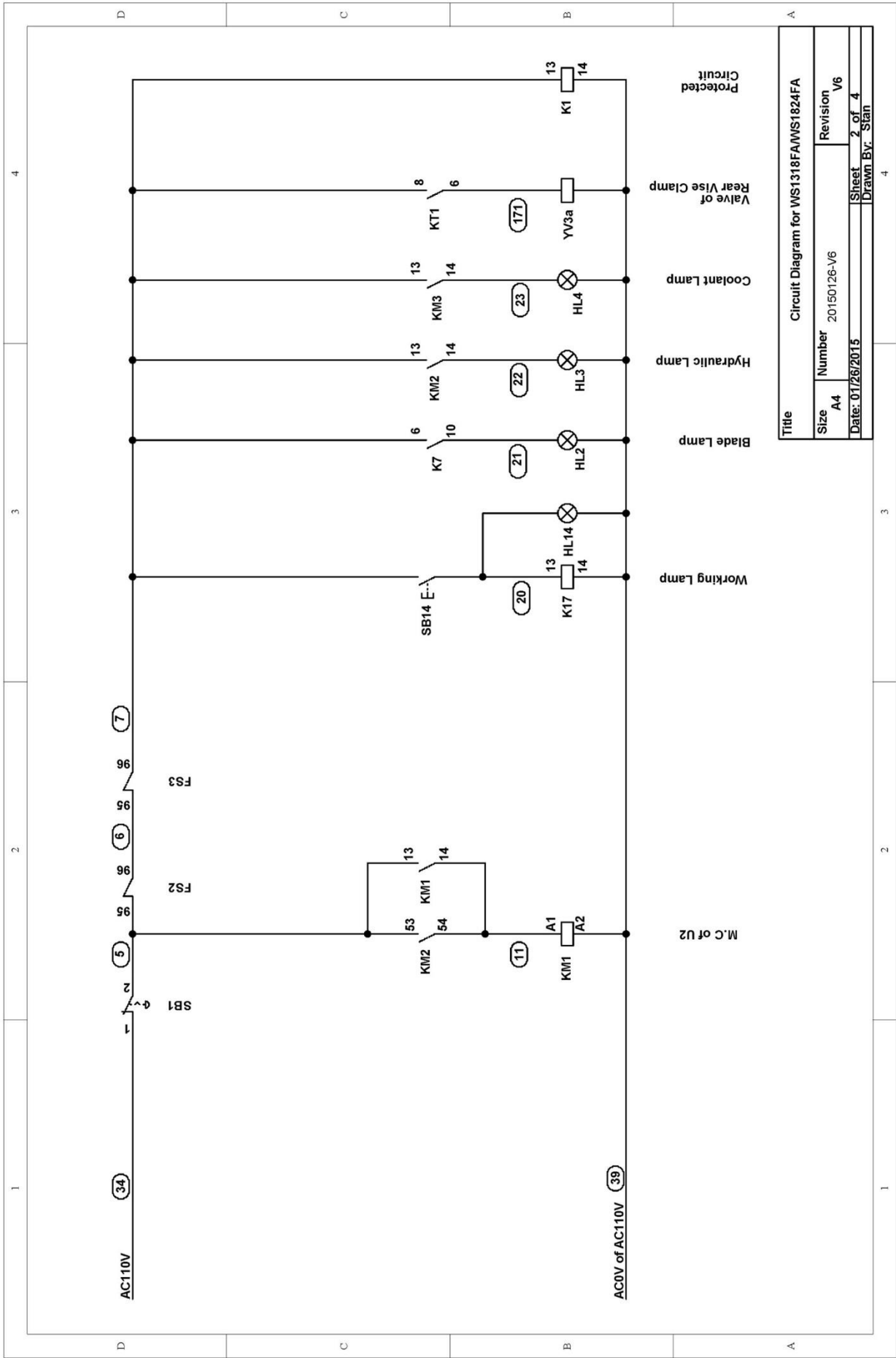
MBS-1824FA Coolant System Partslist

Index No.	Part No.	Description	Size	Q'ty
K1.....	1824FA-K1.....	Fitting	1/4x3/8	1
K2.....	1824FA-K2.....	Cock	1/4x3/8	1
K3.....	1824FA-K3.....	Fitting	1/8x3/8	1
K4.....	1824FA-K4.....	T- joint	1/4PT.....	1
K5.....	1824FA-K5.....	Cock	1/4x3/8	1
K6.....	1824FA-K6.....	Hose.....	3/8"x4000mm.....	1
K7.....	1824FA-K7.....	Hose.....	3/8"x2200mm.....	1
K8.....	1824FA-K8.....	Hose.....	3/8"x3000mm.....	1
K9.....	1824FA-K9.....	90° Elbow	1/2"x3/8"	1
K10.....	1824FA-K10.....	90° Elbow	3/8"x3/8"	1
K11.....	1824FA-K11.....	Cross Fitting	3/8" PT	1
K12.....	1824FA-K12.....	90° Elbow	3/8"x3/8"	1
K13.....	1824FA-K13.....	Fitting	3/8"x3/8"	1
K14.....	1824FA-K14.....	90° Fitting	1/8"x1/8"	1
K15.....	1824FA-K15.....	Cock	1/8"x3/8"	1
K16.....	1824FA-K16.....	Y- Joint	3/8"	1
K17.....	1824FA-K17.....	Hose.....	3/8"x2190mm.....	1
K18.....	1824FA-K18.....	Hose.....	3/8"x1580mm.....	1
K19.....	1824FA-K19.....	Hose.....	3/8"x210mm.....	1

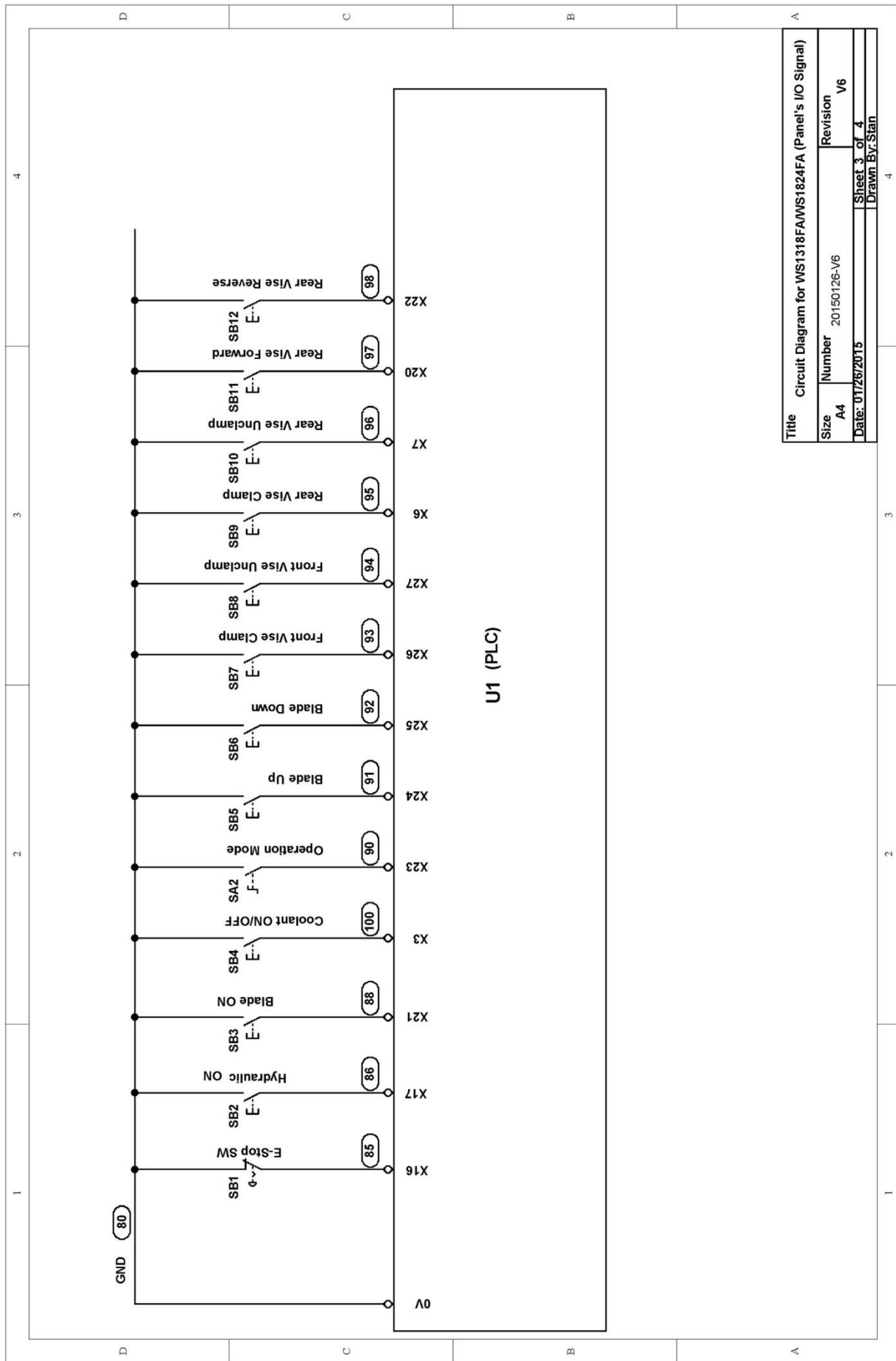
MBS-1824FA...50000353T 3~400V, 50Hz



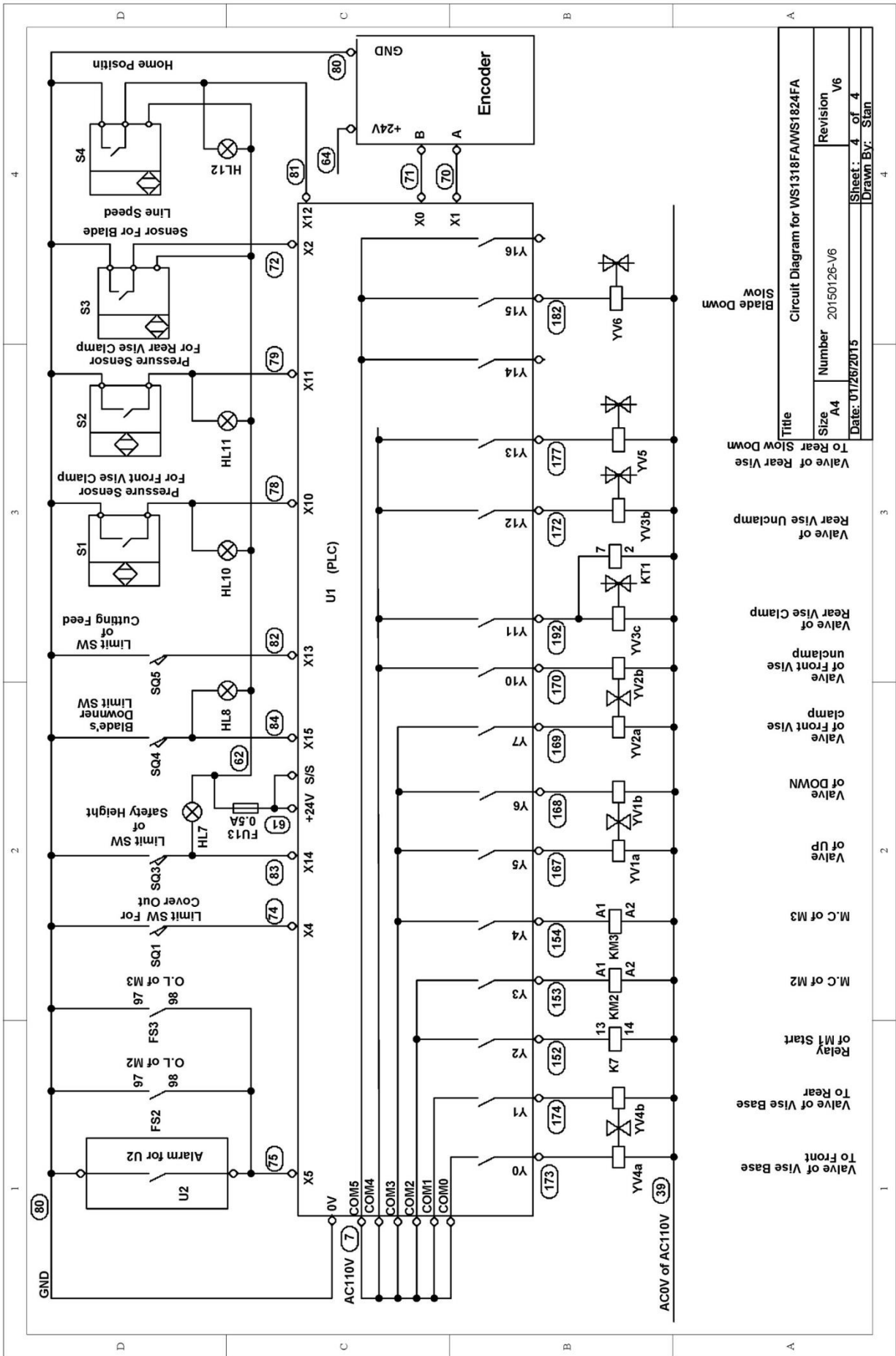
Title		Circuit Diagram for WS1318FAWS1824FA	
Size	Number	Revision	V6
A4	20150126-V6		
Date:	01/26/2015	Sheet	1 of 4
		Drawn By:	Stan



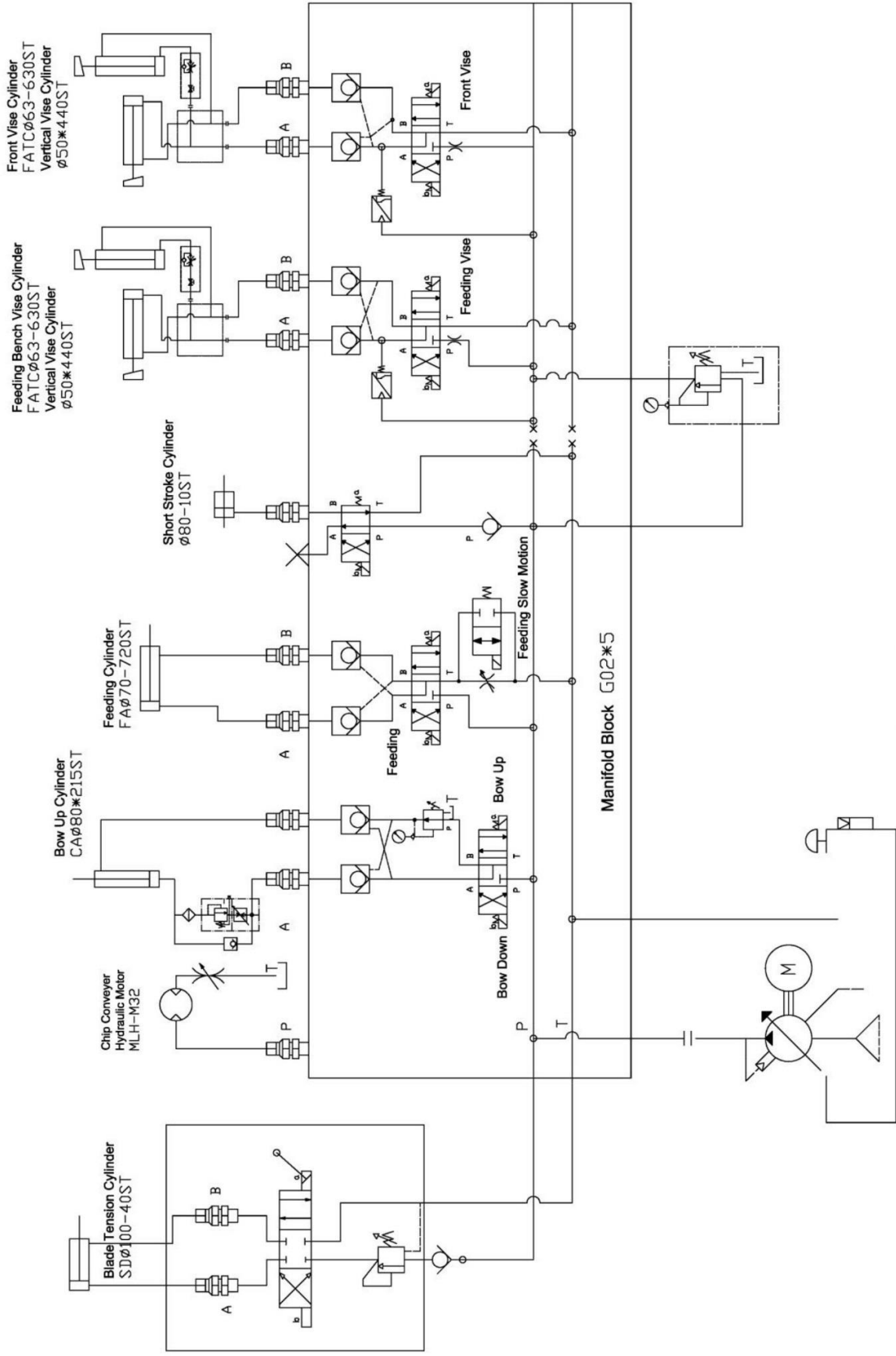
Title		Circuit Diagram for WS1318FA/WS1824FA	
Size	Number	Revision	
A4	20150126-V6	V6	
Date:	01/26/2015	Sheet	2 of 4
		Drawn By:	Sfan



Title		Circuit Diagram for WS1318FAWS1824FA (Panel's I/O Signal)	
Size	Number	Revision	V6
A4	20150126-V6	Sheet 3 of 4	
Date: 01/26/2015	Drawn By: Stan		



HYDRAULIC CIRCUIT DIAGRAM



Q=12 l/min
PVF-12-D-F-R
p=38bar
Motor=0.75kw/1750 r/min