



MBS-910CS

MBS-910CSD

MBS-910CSDV

Metal Working Bandsaw

50000341T / 50000346T

50000347T 400/50/3

PARTS LIST



JPW Tool Group Hong Kong Limited

98 Granville Road, Tsimshatsui East, Kowloon, Hong Kong, PRC

www.jettools.com

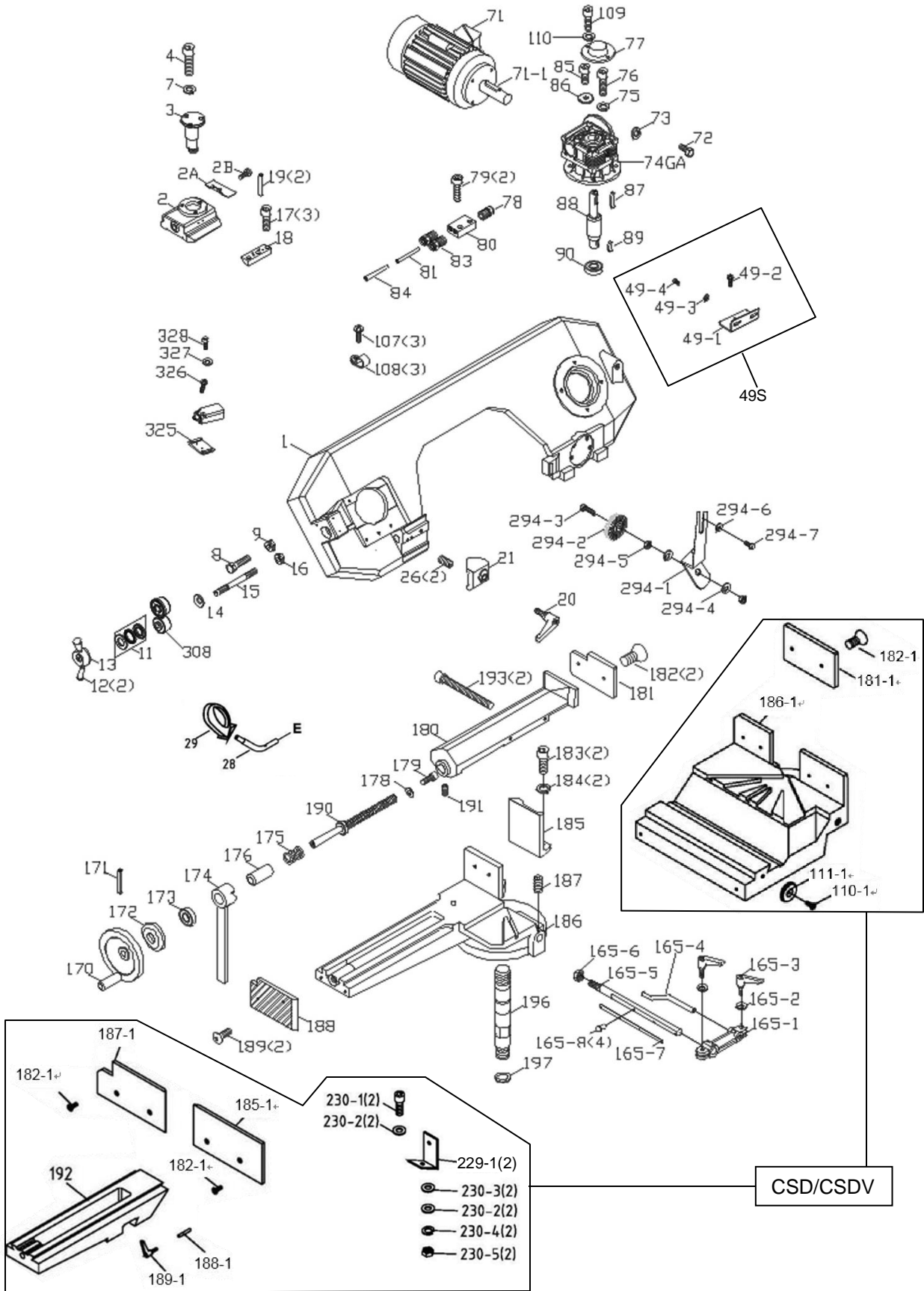
Импортер в РФ: ООО «ИТА Технолоджи»

105082, Москва, Переведеновский пер., д. 17

www.jettools.ru

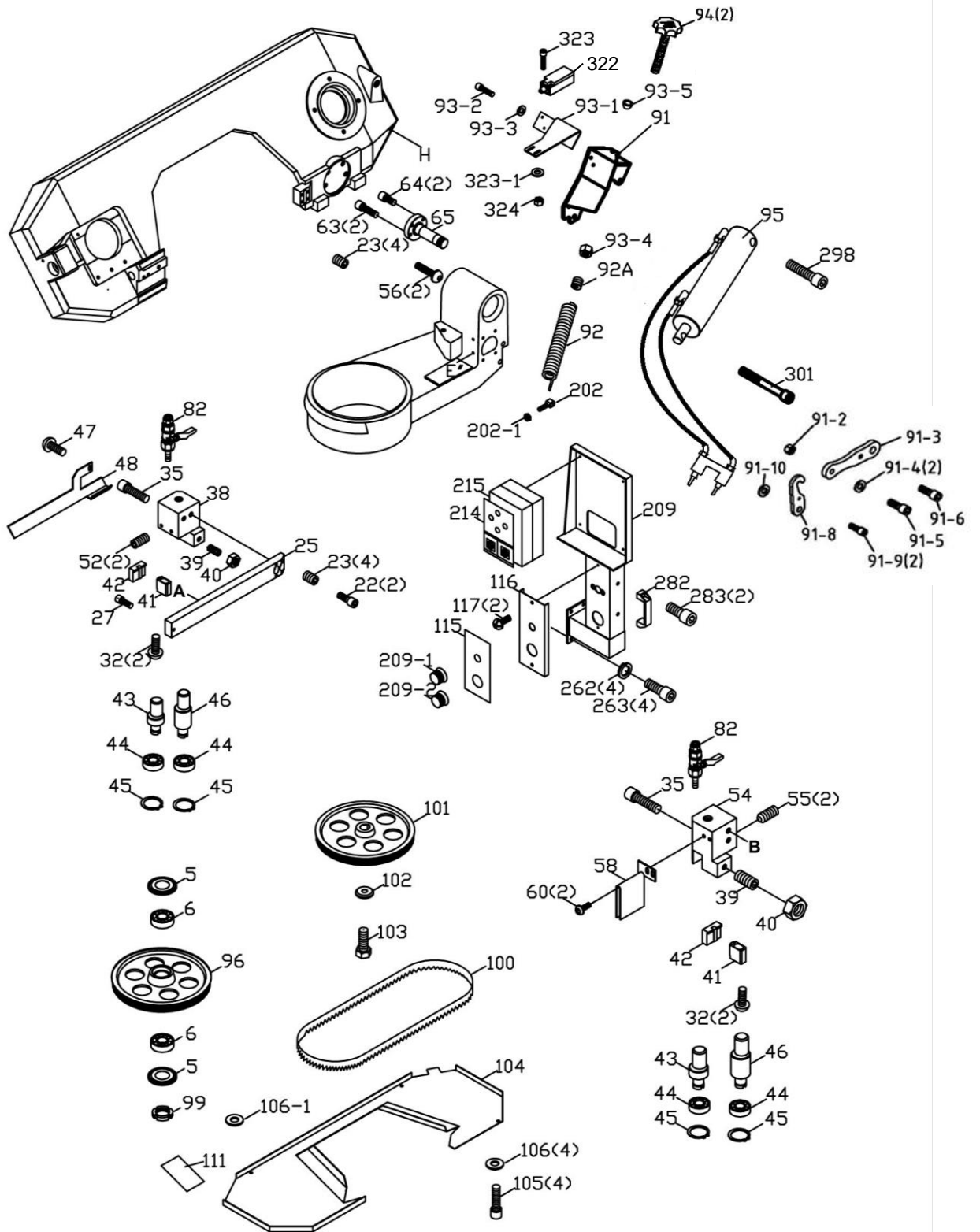
Made in Taiwan / Сделано на Тайване

Breakdown for the MBS910CS/CSD/CSDV Transmission Assembly

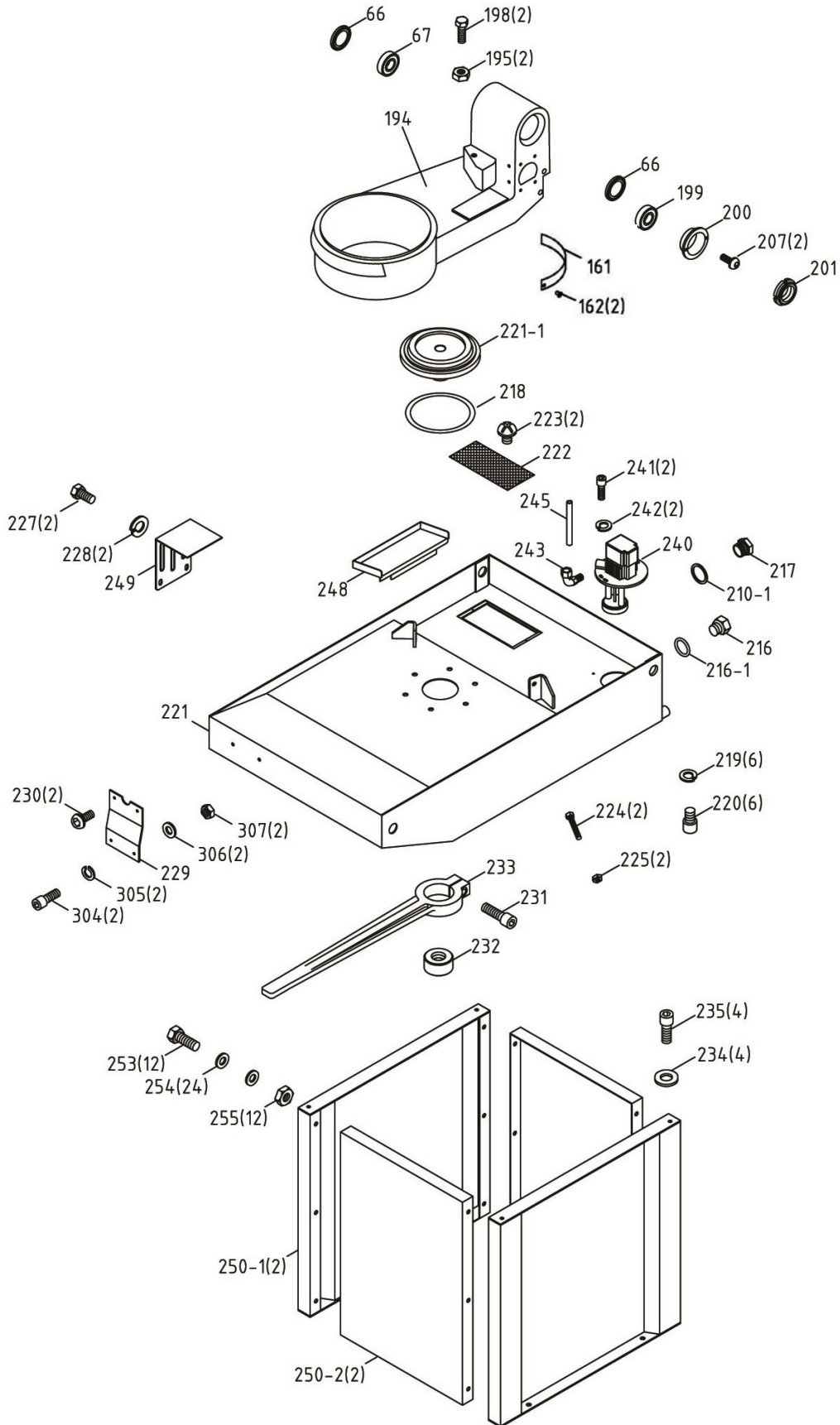


CSD/CSDV

Breakdown for the MBS910CS/CSD /CSDV Transmission Assembly



Base for MBS-910CS/CSD/CSDV Assembly



Parts List for the MBS910CS/CSD/CSDV

Index No.	Part No.	Description	Size	Qty.
1	MBS910CS-01	Body Frame		1
2	MBS910CS-02	Anchor Block		1
2A	MBS910CS-02A	Anchor Plate		1
2B	MBS708CS-02B	Round Head Screw	M5x10	2
3	MBS910CS-03	Shaft		1
4	TS-1504061	Socket Head Cap Screw	M8x30	3
5	MBS910CS-05	Anti-Chip Cover		2
6	BB-32006	Tapered Roller Bearing	32006	2
7	TS-2361081	Lock Washer	M8	3
8	TS-1490081	Hex. Cap Screw	M8x45	1
9	MBS708CS-09	Nut	M8	1
11	MBS708CS-11	Thrust Bearing	51203	1
12	MBS708CS-12	Knob		2
13	MBS708CS-13	Blade Tension Handle		1
14	MBS708CS-14	Lock Washer	ø16.3xø31.5x1.8t	14
15	MBS910CS-15A	Lead screw		1
16	TS-154010	Nut	M16	1
17	TS-1504041	Socket Head Cap Screw	M8x20	3
18	MBS708CS-18	Fixed Block		1
19	MBS708CS-19	Pin	ø 5X40	2
20	MBS910CS-20	Locking Lever	M10x60	1
21	MBS910CS-21	Fixed Block		1
22	TS-1504041	Socket Head Cap Screw	M8x20	2
23	TS-1503041	Socket Set Screw	M6x16	4
25	MBS910CS-25	Blade adjust stick		1
26	TS-1524021	Socket Set Screw	M8x10	2
27	TS-1503021	Socket Head Cap Screw	M6x10	1
28	MBS910CS-28	Connecting Tube		1
	MBS910CS-28N	Connecting Tube (for Manual cut)		-1
29	MBS910CS-29	Handle		1
	MBS910CS-29N	Handle (for Manual cut)		1
32	MBS910CS-32	Round Head Screw	M6x30	4
35	TS-1503011	Socket Head Cap Screw	M6x8	2
38	MBS910CS-38	Blade Adjust		1
39	TS-1524051	Socket Set Screw	M8x20	2
40	TS-1540061	Hex. Nut	M8	2
41	MBS910CS-41	Guide		2
42	MBS910CS-42	Guide		2
43	MBS910CS-43	Eccentric Guide		2
44	BB-608ZZ	Ball Bearing	608ZZ	4
45	MBS708CS-45	C-Retainer Ring	ø 8	4
46	MBS910CS-46	Eccentric Guide		2
47	MBS910CS-47	Round Head Screw	M6x15	2
48	MBS910CS-48	Blade Cover		1
49S	MBS708CS-49S	Power Cutting Bracket		1
49-1	MBS708CS-49-1	Power Cutting Bracket		1
49-2	MBS708CS-49-2	Cross Round Head Screw	M3x30	2
49-3	TS-1550041	Flat Washer	M6	2
49-4	TS-1503031	Socket Head Cap Screw	M6x12	2
52	TS-1523011	Socket Set Screw	M6x6	2
54	MBS910CS-54	Blade Adjustable		1
55	TS-1523011	Socket Set Screw	M6x6	2
56	TS-1504071	Socket Head Cap Screw	M8x35	2
58	MBS910CS-58	Blade Cover		1

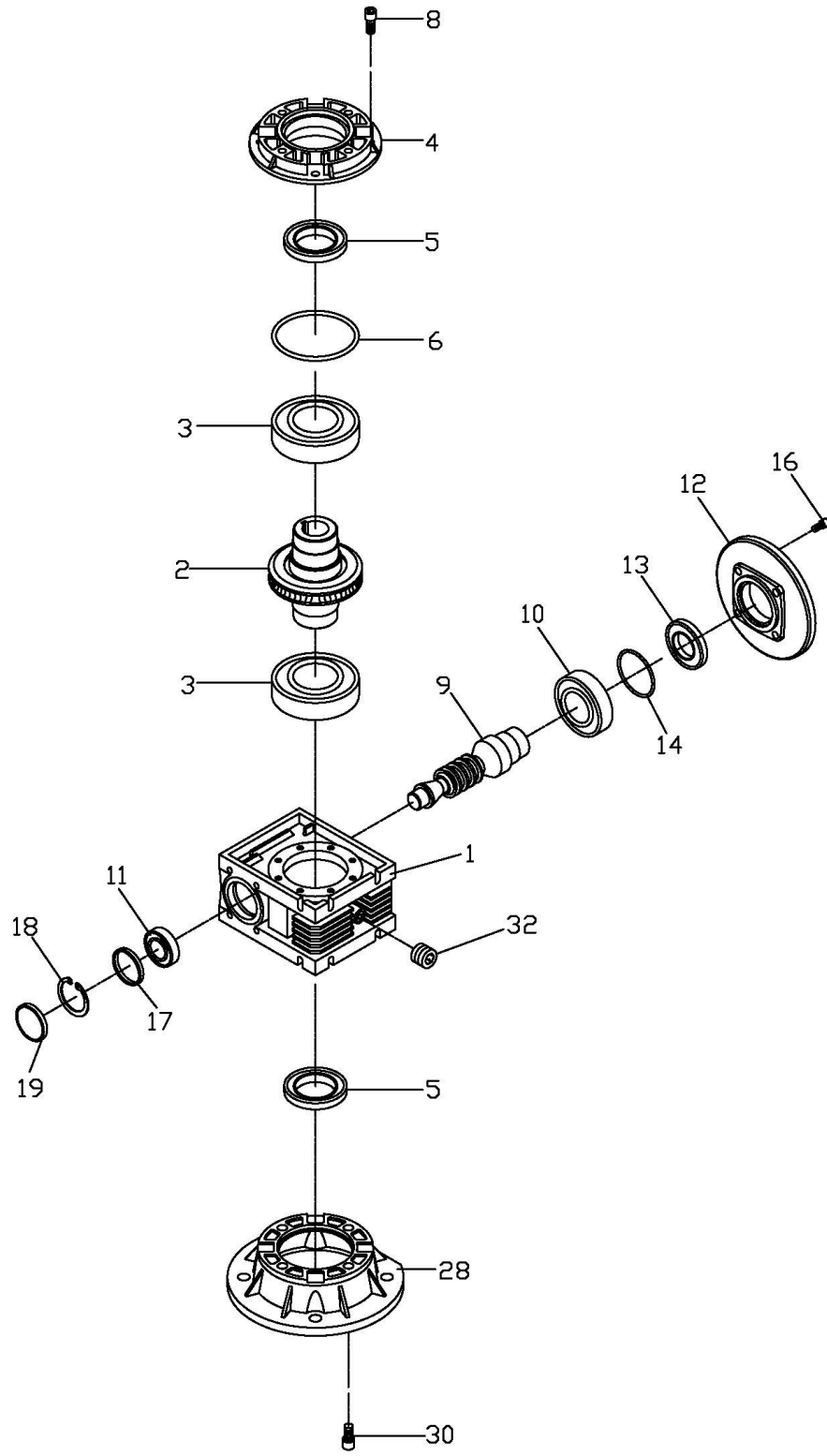
Index No.	Part No.	Description	Size	Qty.
60	MBS910CS-60	Round Head Screw	M5x10	2
63	TS-1505061	Socket Head Cap Screw	M10x40	2
64	TS-1505031	Socket Head Cap Screw	M10x25	2
65	MBS910CS-65	Frame Pivot Shaft		1
66	MBS910CS-66	Anti-Chip Cover		2
67	BB-32006	Tapered Roller Bearing	32006	1
71	MBS910CS-71AE	Motor	1.5HP/400V/3PH	1
72	TS-1503061	Socket Head Cap Screw	M6x25	4
73	TS-2361061	Lock Washer	M6	4
74GA	MBS910CS-74GA	Gear Box Assembly (08040509 and higher)		1
75	TS-2361101	Lock Washer	M10	4
76	TS-1490041	Hex Cap Screw (08040509 and higher)	M8x25	4
77	MBS910CS-77	Reducer Cover		1
78	MBS708CS-78	Hose Fitting	ø 8x1/4"PT	1
79	TS-1503041	Socket Head Cap Screw	M6x16	2
80	MBS708CS-80	3 Way Valve		1
81	MBS708CS-81	PU Tube	ø 6x240L	1
82	MBS708CS-82	Valve	1/8"	2
83	MBS708CS-83	Hose Fitting	ø 6x1/8"PT	4
84	MBS910CS-84	PU Tube	ø 6x800L	1
85	TS-1505041	Socket Head Cap Screw	M10x30	1
86	MBS708CS-86	Private Shaft Washer		1
87	MBS708CS-87	Round Head Key	8x7x50	1
88	MBS910CS-88N	Output Shaft (08040509 and higher)		1
89	MBS910CS-89	Round Head Key	8x7x25	1
90	MBS910CS-90	Ball Bearing	6208-2RS	1
91	MBS910CS-91	Spring Bracket (07100404 and higher)		1
	MBS910CSD-91	Spring Bracket (for double spring)		1
91-2	MBS910CSD-91-2	Hex.Nut	M8	1
91-3	MBS910CSD-91-3	Rally plate		1
91-4	TS-2361081	Washer	M8	2
91-5	TS-1504071	Hex.Socket Head Screw	M8X35	1
91-6	TS-1505031	Hex.Socket Head Screw	M10X25	1
91-8	MBS910CSD-91-8	Positioning plate		1
91-9	MBS910CSD-91-9	Hex.Socket Head Screw	M6X6	2
91-10	TS-2361101	Washer	M10	1
92	MBS910CS-92	Spring		2
92A	MBS910CS-92A	Bushing		1
93-1	MBS910CS-93-1	Down Bracket (07100404 and higher)		1
93-2	TS-1502041	Socket Head Cap Screw	M5x16	2
93-3	TS-2361051	Lock Washer	M5	2
93-4	TS-1540071	Nut	M10	1
93-5	MBS910CS-93-5	Bushing		1
94	MBS910CS-094	Socket Head Cap Screw	M10x110	1
	MBS910CS-094N	Handle Nob (for double spring)	M10x110	2
95	MBS910CS-95	Hydraulic Cylinder Assembly		1
96	MBS910CS-96	Idler Wheel		1
99	MBS910CS-99	Nut	AN06	1
100	MBS910CS-100	Blade	0.9x27x2450x5/8T	1
101	MBS910CS-101	Drive Wheel		1
102	MBS708CS-102	Drive Shaft Washer		1
103	TS-1492021	Hex. Cap Screw	M12x30	1
104	MBS910CS-104	Blade Back Cover		1
105	TS-1503041	Socket Head Cap Screw	M6x16	4

Index No.	Part No.	Description	Size	Qty.
106	TS-1550041	Flat Washer	M6	4
106-1	NBS910CS-106-1	Washer		1
107	MBS910CS-107	Cross Round Head Screw	M5x20	3
108	MBS910CS-108	Hose Clip	ø 8.	3
109	TS-1504031	Socket Head Cap Screw	M8x15	2
110	TS-2361081	Lock Washer	M8	2
111	MBS910CS-111	Label For Dimension of Section Cut		1
110-1	MBS910CSD-110	Flat head Allen screws inside	M8x15L(8*16)	2
111-1	MBS910CSD-111	Stoppers		2
161	MBS910CSD-161	Scale		1
162	MBS910CSD-162	Rivet	§ 2	4
165S	MBS910CS-165S	Distance Set Rod Assembly		1
165-1	MBS708CS-165-1	Distance Set Bracket		1
165-2	TS-1550051	Flat Washer	M8	2
165-3	MBS708CS-165-3	Knob		2
165-4	MBS708CS-165-4	Stock Stop Rod		1
165-5	MBS910CS-165-5	Distance Set Rod		1
165-6	TS-154009	Hex. Nut	M14	1
165-7	MBS708CS-165-7	Scale		1
165-8	MBS708CS-165-8	Rivet	ø 2.	4
170	MBS910CS-170	Wheel		1
171	MBS708CS-171	Pin	ø 5x35	1
172	MBS910CS-172	Bearing Cover		1
173	MBS708CS-173	Thrust Bearing	ø 30x ø 47x3.5	1
174	MBS708CS-174	Vises Handle		1
175	MBS708CS-175	Spring		1
176	MBS910CS-176	Bushing		1
178	MBS708CS-178	Washer	ø 6.5x ø 18	1
179	TS-1503041	Socket Head Cap Screw	M6x16	1
180	MBS910CS-180	Vise Jaw Bracket		1
181	MBS910CS-181	Vise		1
182	MBS708CS-182	Hex. Socket Flat Head Screw	M6x12	2
181-1	MBS910CSD-181	Vise		1
182-1	TS-1514011	Hex. Socket Flat Head Screw	M6X12L	2
183	TS-1505041	Socket Head Cap Screw	M10x30	2
184	TS-2361101	Lock Washer	M10	2
185	MBS910CS-185	Vise		1
186	MBS910CS-186	Vise Jaw Bracket		1
187	TS-1524021	Socket Set Screw	M8x10	1
188	MBS910CS-188	Vise		1
189	TS-1503041	Socket Head Cap Screw	M6x16	2
185-1	MBS910CSD-185-1	Vise		1
186-1	MBS910CSD-186-1	Vise Jaw Bracket(Rear)		1
187-1	MBS910CSD-187-1	Vise		1
188-1	MBS910CSD-188-1	Shaft		1
189-1	MBS910CSD-189-1	Grip		1
190	MBS910CS-190	Lead screw Assembly		1
191	TS-1524051	Socket Set Screw	M8x20	1
192	MBS910CSD-192	Movable table		1
193	MBS910CS-193	Socket Head Cap Screw	M6x110	2
194	MBS910CS-194	Swivel Arm		1
195	TS-1540071	Hex. Nut	M10	2
196	MBS910CS-196	Vise Jaw Adjustable Rod		1
197	MBS708CS-197	O-Retainer Ring	ø 9.8x ø 2.4	1
198	TS-2210451	Hex. Cap Screw	M10x45	2

Index No.	Part No.	Description	Size	Qty.
199	BB-32007	Tapered Roller Bearing	32007	1
200	MBS910CS-200	Bushing		1
201	MBS910CS-201	Nut	AN-07	1
202	MBS708CS-202	Bolt		1
207	TS-1522051	Socket Set Screw	M5x16	2
209	MBS910CS-209	Control Box Base		1
209-1	MBS910CS-209-1	On/Off Valve Knob		1
209-2	MBS910CS-209-2	Throttle Valve Knob		1
210-1	MBS910VS-210-1	O-Retainer Ring	P16	1
214	MBS910CS-214	Label for Name Plate		1
	MBS910CS-214N	Label for Name Plate (for Auto/Manual)		1
215	MBS910CS-215	Control Box Assembly (Black)		1
216	MBS708CS-216	Hex Socket Plug	3/8"PT	1
216-1	MBS708CS-216-1	O-Retainer Ring	P14	1
217	MBS910VS-217	Oil Mirror (oil glass)	3/8"PT	1
218	MBS910CS-218	O-Retainer Ring	ID19.5x5.7	1
219	TS-2361101	Lock Washer	M10	6
220	TS-1505021	Socket Head Cap Screw	M10x 20	6
221	MBS910CS-221	Coolant Pan		1
221-1	MBS910CS-221-1	Swivel Arm Base		1
222	MBS708CS-222	Filter		1
223	MBS708CS-223	Cross Round Head Screw	M4x8	2
224	TS-1491081	Hex. Cap Screw	M10x50	1
225	TS-1541041	Hex. Nut	M10	2
227	TS-1491031	Hex. Cap Screw	M10x25	2
228	TS-2361101	Lock Washer	M10	2
229	MBS910CS-229	Fixed Plate		1
229-1	MBS910CSD-229	Fixed Plate		2
230	MBS708CS-230	Round Head Screw	M6x10	2
230-1	TS-1503051	Hex. Socked Head Screw	M6x1.0x20	2
230-2	TS-1550041	Washer	M6	4
230-3	MBS910CSD-230-3	Rubber Washer		2
230-4	MBS910CSD-230-4	Spring Washer	M6	2
230-5	MBS910CSD-230-5	Hex. Nut	M6	2
231	TS-1505051	Socket Head Cap Screw	M10x35	1
232	MBS708CS-232	Nut		1
233	MBS910CS-233	Adjustable Handle		1
234	TS-1550051	Flat Washer	M8	4
235	TS-1504051	Socket Head Cap Screw	M8x25	4
240	MBS708CS-240E	Pump	1/8HP/400V	1
241	MBS708CS-241	Pan Head Screw	M6x15	2
242	TS-2361061	Lock Washer	M6	2
243	MBS708CS-243	Micro Control Block	3/8"x3/8"	1
245	MBS708CS-245	PU Tube	ø 8x1300L	1
248	MBS708CS-248	Fluid Collected Plate		1
249	MBS910CS-249	Feed Support		1
250-1	MBS910CS-250-1	Stand Leg		2
250-2	MBS910CS-250-2	Stand Leg		2
253	TS-1490031	Hex. Cap Screw	M8x20	12
254	TS-1550051	Flat Washer	M8	24
255	TS-1540061	Hex. Nut	M8	12
262	TS-2361061	Lock Washer	M6	4
263	TS-1503041	Socket Head Cap Screw	M6x16	4
282	MBS708CS-282	Knob		1

Index No.	Part No.	Description	Size	Qty.
283.....	TS-1504031.....	Socket Head Cap Screw	M8x16	2
294S ...	MBS910CS-294S.....	Brush Assembly		1
294-1...	MBS910CS-294-1	Brush Support.....		1
294-2...	MBS910CS-294-2.....	Brush		1
294-3...	TS-1482061	Hex. Cap Screw	M6x30	1
294-4...	TS-1550041	Flat Washer	M6.....	2
294-5...	TS-1540041	Hex. Nut.....	M6.....	1
294-6...	TS-1550041	Flat Washer	M6.....	2
294-7...	TS-2246102.....	Socket Head Button Screw.....	M6x10	2
304.....	TS-1503041	Socket Head Cap Screw	M6x16	2
305.....	TS-2361061	Lock Washer	M6.....	2
306.....	TS-1550041	Flat Washer	M6.....	2
307.....	TS-1540041	Hex. Nut.....	M6.....	2
308.....	MBS708CS-308	Blade tension Meter		1
325.....	MBS910CS-325	Micro Switch Bracket.....		1
322.....	MBS910CSD-322	Limit Switch.....		1
323.....	TS-1501081	Hex. Socket Head Screw	M4X30L.....	2
323-1...	TS-1550021	Washer	M4.....	2
324.....	MBS910CS-324	Hex. Nut.....	M4.....	2
326.....	MBS910CS-326	Cross Round Head Screw	M4x28	2
327.....	TS-1550031	Flat Washer	M5.....	2
328.....	TS-1481041	Hex. Cap Screw	M5X16.....	2

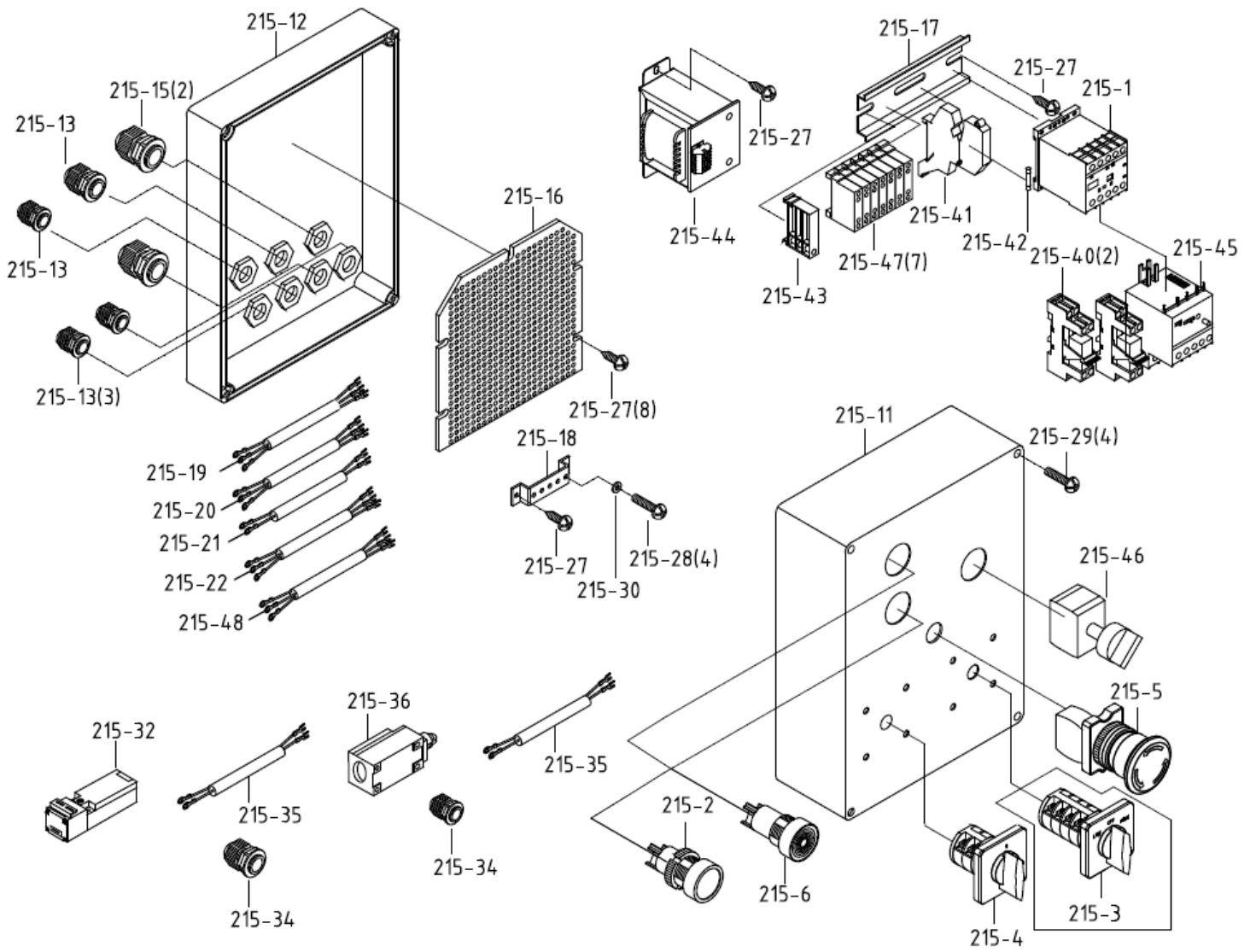
**Parts list for MBS-910CS/CSD/CSDV
Breakdown for Gear Box Assembly**



**Parts List for MBS-910CS/CSD/CSDV
Gear Box Assembly**

Index No.	Part No.	Description	Size	Qty.
1.....	MBS708CS-74GA-1.....	Gear Box		1
2.....	MBS910CS-74GA-2.....	Worm Gear	E=1/40	1
3.....	BB-6008ZZ	Ball Bearing	6008ZZ.....	2
4.....	MBS708CS-74GA-4.....	Gear Box Cover		1
5.....	MBS708CS-74GA-5.....	Oil Seal.....	TC40x62x7b.....	2
6.....	MBS708CS-74GA-6.....	Oil Seal.....		1
8.....	MBS708CS-74GA-8.....	Socket Star Head Screw	M6x16	8
9.....	MBS910CS-74GA-9.....	Worm Shaft.....		1
10.....	BB-6006ZZ	Ball Bearing	6006ZZ.....	1
11.....	BB-6204ZZ	Ball Bearing	6204ZZ.....	1
12.....	MBS708CS-74GA-12.....	Motor Flange.....		1
13.....	MBS708CS-74GA-13.....	Oil Seal.....	TC30x47x7b.....	1
14.....	MBS708CS-74GA-14.....	Oil Seal.....		1
16.....	MBS708CS-74GA-8.....	Socket Star Head Screw	M6x16	6
17.....	MBS708CS-74GA-17.....	Washer		1
18.....	MBS708CS-74GA-18.....	C-Ring		1
19.....	MBS708CS-74GA-19.....	Oil Seal.....		1
28.....	MBS708CS-74GA-28.....	Connect Flange.....		1
30.....	TS-1504031	Socket Head Cap Screw	M8x16	4
32.....	MBS708CS-74GA-32.....	Oil Plug.....		2
.....	MBS910CS-74GA	Gear Box Assembly 1~32 (08040509 and higher)		

Breakdown for the MBS910CS/CSD Electrical Box Assembly



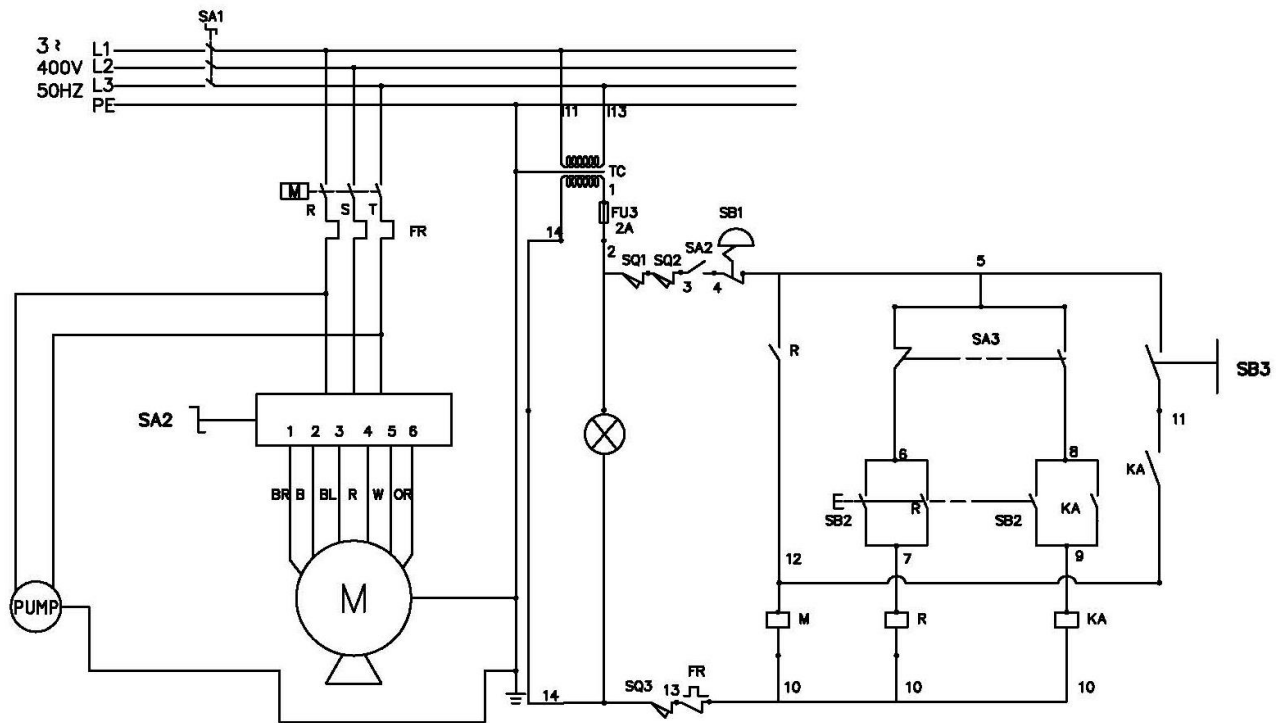
**Parts List for the MBS910CS/CSD
Electrical Box Assembly**

Index No.	Part No.	Description	Size	Qty.
215-1...	MBS708CS-215-1	Magnetic-Contact	C-06D	1
215-2...	MBS708CS-215-2	Push-Button Switch	NPB-F20G	1
215-3...	MBS708CS-215-3	Main Power Switch	600V/20A	1
215-4...	MBS708CS-215-4	Choice-Switch	600V/20A	1
215-5...	MBS708CS-215-5	Emergency-Stop Switch	HY57B	1
215-6...	MBS708CS-215-6	Power Light	NLD-22	1
215-11.	MBS708CS-215-11	Box Upper Lib (Black)		1
215-12.	MBS708CS-215-12	Box Seat (Black)		1
215-13.	MBS708CS-215-13	Cable-Gland	PG-9	4
215-15.	MBS708CS-215-15	Cable-Gland	PG-13.5	2
215-16.	MBS708CS-215-16	Net-Pin		1
215-17.	MBS708CS-215-17	Din-Rails		1
215-18.	MBS708CS-215-18	Grand Copper Pin		1
215-19.	MBS708CS-215-19	Power Cable	H07RN-Fx1.5mm ²	1
215-20.	MBS708CS-215-20	Motor Cable	1.25mm ² x7C	1
215-21.	MBS708CS-215-21	Limit Cable	H05VV-Fx0.75mm ²	1
215-22.	MBS708CS-215-22	Pump Cable	H05VV-Fx0.75mm ²	1
215-27.	MBS708CS-215-27	Self-tapping Screw	M4X8	10
215-28.	MBS708CS-215-28	Cross Round Head Screw	M4X6	4
215-29.	MBS708CS-215-29	Cross Round Head Screw	M4x12	4
215-30.	MBS708CS-215-30	Star Washer	M4	6
215-32.	MBS708CS-215-32	Limit Switch for Blade Guard	AZD-S11	1
215-34.	MBS708CS-215-34	Cable-Gland	PG-11	2
215-35.	MBS708CS-215-35	Limit Cable	H05VV-Fx0.75mm ²	1
215-36.	MBS708CS-215-36	Limit Switch for Bow Down	AZD-112	1
215-40.	MBS708CS-215-40	Relay	24V	1
215-41.	MBS708CS-215-41	Fuse Seat		1
215-42.	MBS708CS-215-42	Fuse	2A	1
215-43.	MBS708CS-215-43	Fix Block		1
215-44.	MBS708CS-215-44	Transformer	400/24V	1
215-45.	MBS910CS-215-45	Overload protector	2.4A-3.6A	1
215-46.	MBS910CS-215-46	Auto/Manual switch	NSS22-S211B	1
215-47	MBS910CS-215-47	Teriminal Block	CABURE 600V 24A	
			24-12AGE	1
215-48	MBS910CS-215-48	Push-Button Switch Cable	H05VV-F 2 x0.75 mm ²	1

**Parts List for the MBS910CSDV
Electrical Box Assembly**

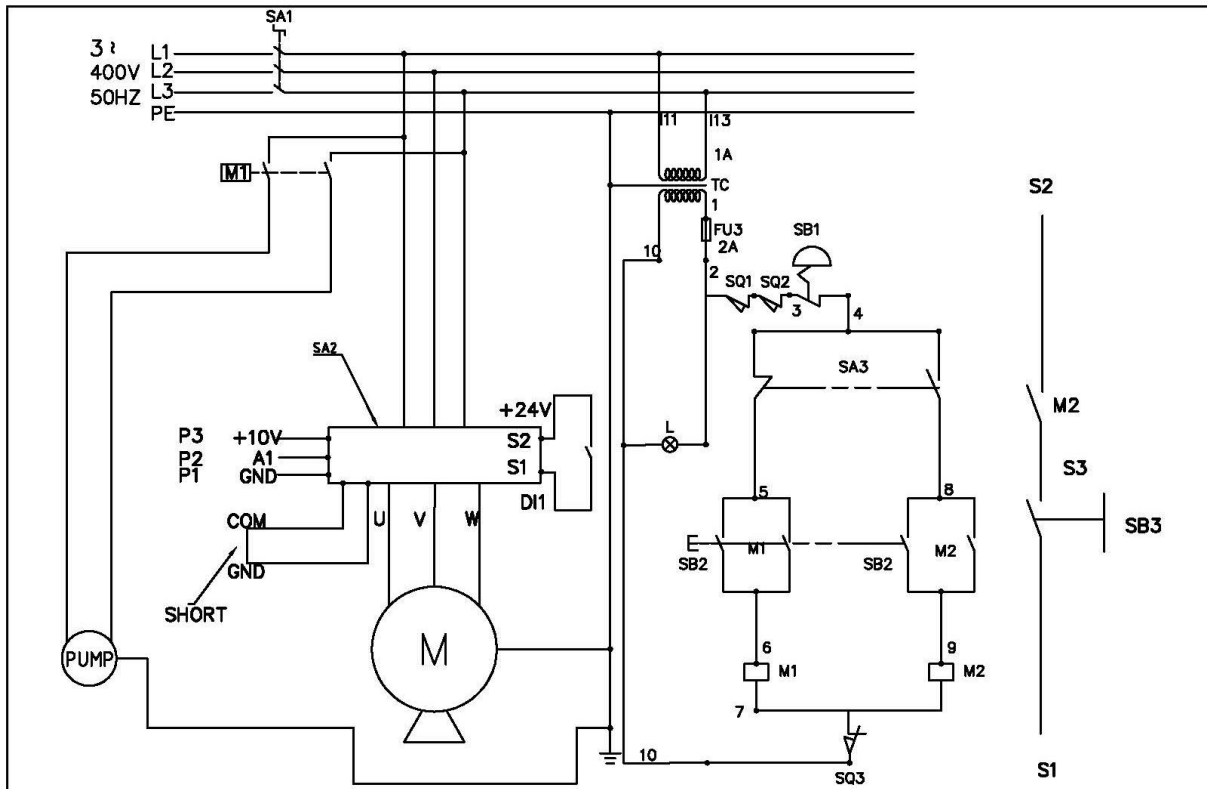
Index No.	Part No.	Description	Size	Qty.
115.....	MBS910CS-115.....	Label.....		1
116.....	MBS910CS-116.....	Cover.....		1
117.....	MBS910CS-117.....	Round Head Screw.....	M5x15.....	2
209-1...	MBS910CS-209-1.....	On/Off Valve Knob.....		1
209-3...	MBS910CSDV-209-3.....	Variable Speed Control Box Base.....		1
209-4...	TS-2245102.....	Round Head Screw.....	M6X1.0PX10.....	6
214-1...	MBS910CSDV-214-1.....	Lable for Name Plate for Variable speed.....		1
282.....	MBS708CS-282.....	Knob.....		1
283.....	TS-1504031.....	Socket Head Cap Screw.....	M8x16.....	2
284.....	TS-1504041.....	Hex. Socket Head Screw.....	M8X20.....	2
285.....	TS-1550061.....	Spring Washer.....	M8.....	2
215-2...	MBS708CS-215-6.....	Power Light.....	NLD-22.....	1
215-3...	MBS910CSDV-215-3.....	Magnetic-Contact.....	600V/20A.....	1
215-4...	MBS708CS-215-5.....	Emergency-Stop Switch.....	HY57B.....	1
215-5...	MBS708CS-215-3.....	Main Power Switch.....	600V/20A.....	1
215-6...	MBS708CS-215-44.....	Transformer.....	400V/24V/230V.....	1
215-7...	MBS910CSDV-215-7.....	Magnetic-Contact.....	JD-6 24V.....	1
215-8...	MBS708CS-215-43.....	Fix Block.....		1
215-9...	MBS910CSDV-215-9.....	Limit Switch for Blade Guard.....	QKS8-1A1B.....	1
215-10.	MBS910CSDV-215-10.....	Limit Switch for Bow Down And Tension.....	QKS7-1A1B.....	2
215-11.	MBS708CS-215-41.....	Fuse Seat.....		1
215-12.	MBS910CSDV-215-12.....	Fuse.....		1
215-13.	MBS910CSDV-215-13.....	Inverter.....	ABB/415V/3PH.....	1
215-14.	MBS910CSDV-215-14.....	Colling Fan.....		1
215-15.	MBS910CSDV-215-15.....	Speed control knob.....		1
215-16.	MBS910CS-215-46.....	Auto/Manual switch.....	NSS22-S211B.....	1
215-17.	MBS910CSDV-215-17.....	Power Cable.....	H07RN-Fx1.5mm ²	1
215-18.	MBS910CSDV-215-18.....	Motor Cable.....	1.5mm ² x4C.....	1
215-19.	MBS910CSDV-215-19.....	Limit Cable For Blade Guard.....	H05VV-Fx0.75mm ²	1
215-20.	MBS910CSDV-215-20.....	Limit Cable For Down.....	H05VV-Fx0.75mm ²	1
215-21.	MBS910CSDV-215-21.....	Limit Cable For Tenson.....	H05VV-Fx0.75mm ²	1
215-22.	MBS910CSDV-215-22.....	Pump Cable.....	0.75mm ² x4C.....	1
215-23.	MBS910CSDV-215-23.....	Din-Rails.....		1
215-24.	MBS910CSDV-215-24.....	Grand Copper Pin.....		1
215-25.	MBS910CSDV-215-25.....	Cross Round Head Screw.....	M4X6.....	5
215-26.	MBS910CSDV-215-26.....	Cross Round Head Screw.....	M4x4.....	2
215-27.	MBS910CSDV-215-27.....	Cable-Gland.....	PG-11.....	1
215-28.	MBS910CSDV-215-28.....	Cable-Gland.....	PG-13.5.....	1
215-29.	MBS910CSDV-215-29.....	Cross Round Head Screw.....	M4X10.....	4
215-30.	MBS910CSDV-215-30.....	M4.....		4
215-31.	MBS910CSDV-215-31.....	Cross Round Head Screw.....		2
215-32.	MBS910CSDV-215-32.....	Cross Round Head Screw.....	M4X10.....	4
215-33.	MBS910CSDV-215-33.....	Cross Round Head Screw.....	M4X6.....	2
215-34.	MBS910CS-215-47.....	Teriminal Block.....	CABURE 600V 24A.....	7
			24-12AGE.....	7
215-35 .	MBS910CSDV-215-35.....	Fan protection net.....		1

MBS-910CS/CSD...50000/341T50000346T...3~400V,50Hz



SCHEDULE OF ELECTRICAL EQUIPMENT				
Parts umber	Item.	Designation and function	Technical data	QTY
ET1157	M1	Contactor		1
MET1844	FU1	Fuse base		1
MET1820	FUSE	FU1-2A		1
MET1324	TC	Transformer	CE20VA 6,0,230V/400V,0,24V	1
MET1415	L	Power light		1
MET2007	FR	Over Load For 270	2.9A----4A	1
MET1222-1	SA3	Hand-Auto Switch		1
MET1758	SA1	Power switch		1
MET2520-3	SA2	Inverter		1
MET1245	SB1	Emergency stop button	HY-57B	1
MET1218-1	SB2	Start Switch		1
MET1127	KA	Relay		1
MET1616	SQ1	Cover Limit switch		1
MET1244	SB3	Push Limit Switch		1
MET1630	SQ2	Tension Limit Switch		1
MET1631	SQ3	Lower Limit Switch		1
MET1127	KA	Relay		1

MBS-910CSDV...50000347T...3~400V,50Hz



SCHEDULE OF ELECTRICAL EQUIPMENT				
Parts umber	Item.	Designation and function	Technical data	QTY
ET1157	M1	Contactur		1
MET1844	FU1	Fuse base		1
MET1820	FUSE	FU1-2A		6
MET1324	TC	Transformer	CE20VA G,0,230V/400V,0,24V	1
MET1415	L	Power light		1
MET1222-1	SA3	Hand-Auto Switch		1
MET1758	SA1	Power switch		1
MET2520-3	SA2	Inverter		1
MET1245	SB1	Emergency stop button	HY-57B	1
MET1218-1	SB2	Start Switch		1
MET1148	M2	Relay		1
MET1616	SQ1	Cover Limit switch		1
MET1244	SB3	Push Limit Switch		1
MET1630	SQ2	Tension Limit Switch		1
MET1631	SQ3	Lower Limit Switch		1