



**MBS-1318FA METALWORKING
AUTO CUTTING BANDSAW**

MBS-1318FA... 50000351T 3~400V, 50Hz

PARTS LIST



JPW Tool Group Hong Kong Limited
98 Granville Road, Tsimshatsui East, Kowloon, Hong Kong, PRC
www.jettools.com

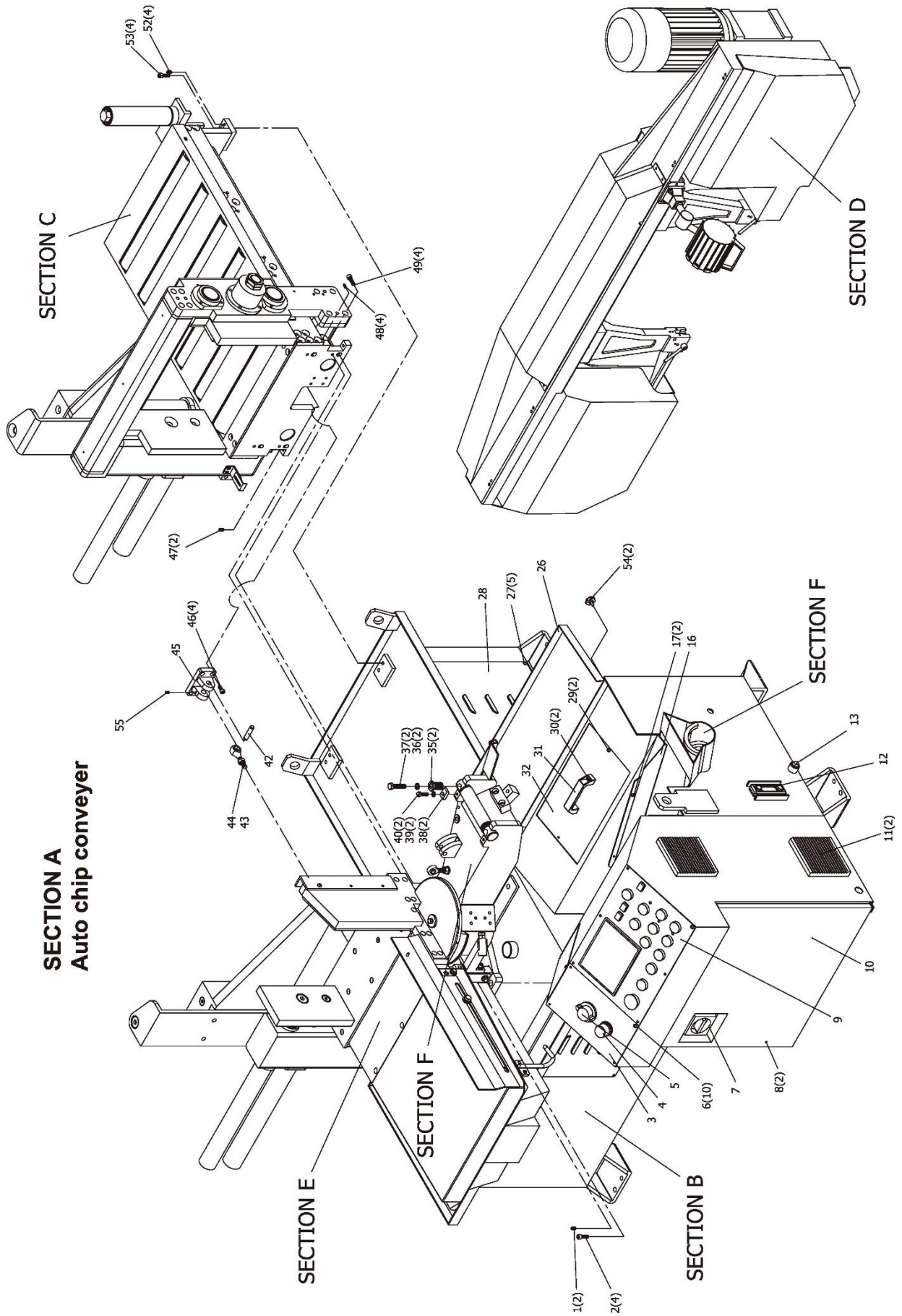
Импортер в РФ: ООО «ИТА Технолджи»
105082, Москва, Переведеновский пер., д. 17
www.jettools.ru

Made in Taiwan / Сделано на Тайване

P-50000351T

2023-11

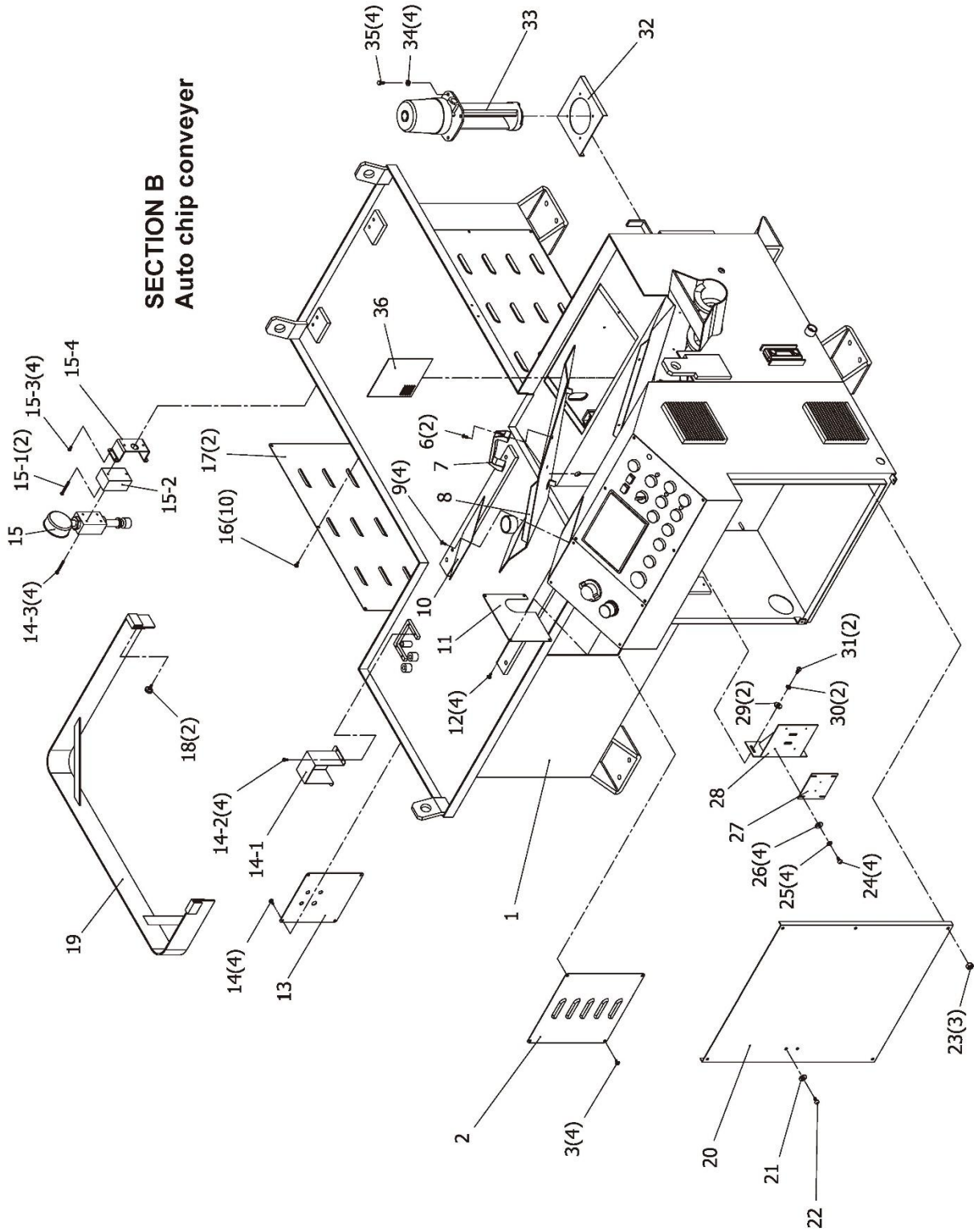
MBS-1318FA Auto Chip Conveyor Assembly



MBS-1318FA Auto Chip Conveyer Assembly

Index No.	Part No.	Description	Size	Q'ty
1	MBS1318FA-A1	Set Screw	1/2"x3/4"	2
2	MBS1318FA-A2	Hex. Soc. Cap Screw	1/2"x1-1/4"	4
3	MBS1318FA-A3	Hydraulic Control Panel		1
4	MBS1318FA-A4	Cutting Rate Knob		1
5	MBS1318FA-A5	Pressure Regulator Knob		1
6	MBS1318FA-A6	Round Head Screw	1/4"x1/2"	10
7	MBS1318FA-A7	Main Power Switch		1
8	MBS1318FA-A8	Big Round Head Screw	1/4"x1/2"	2
9	MBS1318FA-A9	Control Panel		1
10	MBS1318FA-A10	Control Cabinet Door		1
11	MBS1318FA-A11	Radiation Device		2
12	MBS1318FA-A12	Oil Level Gauge		1
13	MBS1318FA-A13	Drain Screw	PT 3/4"	1
16	MBS1318FA-A16	Side Plate		1
17	MBS1318FA-A17	Round Head Screw	3/16"x1/2"	2
26	MBS1318FA-A26	Coolant Tray (Rear)		1
27	MBS1318FA-A27	Round Head Screw	3/16"x1/2"	5
28	MBS1318FA-A28	Hydraulic Unit Cover		1
29	MBS1318FA-A29	Round Head Screw	3/16"x1/2"	2
30	MBS1318FA-A30	Round Head Screw	1/4"x1/2"	2
31	MBS1318FA-A31	Plastic Handle		1
32	MBS1318FA-A32	Coolant Cover		1
35	MBS1318FA-A35	Adjusting Screw		2
36	MBS1318FA-A36	Spring Washer	1/2"	2
37	MBS1318FA-A37	Steel Hex. Cap Bolt	1/2"x2-1/2"	2
38	MBS1318FA-A38	Press Plate		2
39	MBS1318FA-A39	Spring Washer	3/8"	2
40	MBS1318FA-A40	Steel Hex. Cap Bolt	3/8"x3/4"	2
42	MBS1318FA-A42	Support Shaft		1
43	MBS1318FA-A43	Nut	M16	1
44	MBS1318FA-A44	Fish Eye Bearing		1
45	MBS1318FA-A45	Cylinder Support Device		1
46	MBS1318FA-A46	Hex. Soc. Cap Screw	3/8"x1"	4
47	MBS1318FA-A47	Set Screw	3/8"x3/4"	2
48	MBS1318FA-A48	Set Screw	3/8"x3/4"	4
49	MBS1318FA-A49	Hex. Soc. Cap Screw	1/2"x1-1/4"	4
52	MBS1318FA-A52	Set Screw	3/8"x3/4"	4
53	MBS1318FA-A53	Hex. Soc. Cap Screw	1/2"x1-1/4"	4
54	MBS1318FA-A54	Thumb Screw	1/4"x1/2"	2
55	MBS1318FA-A55	Set Screw	1/4"x1/4"	1

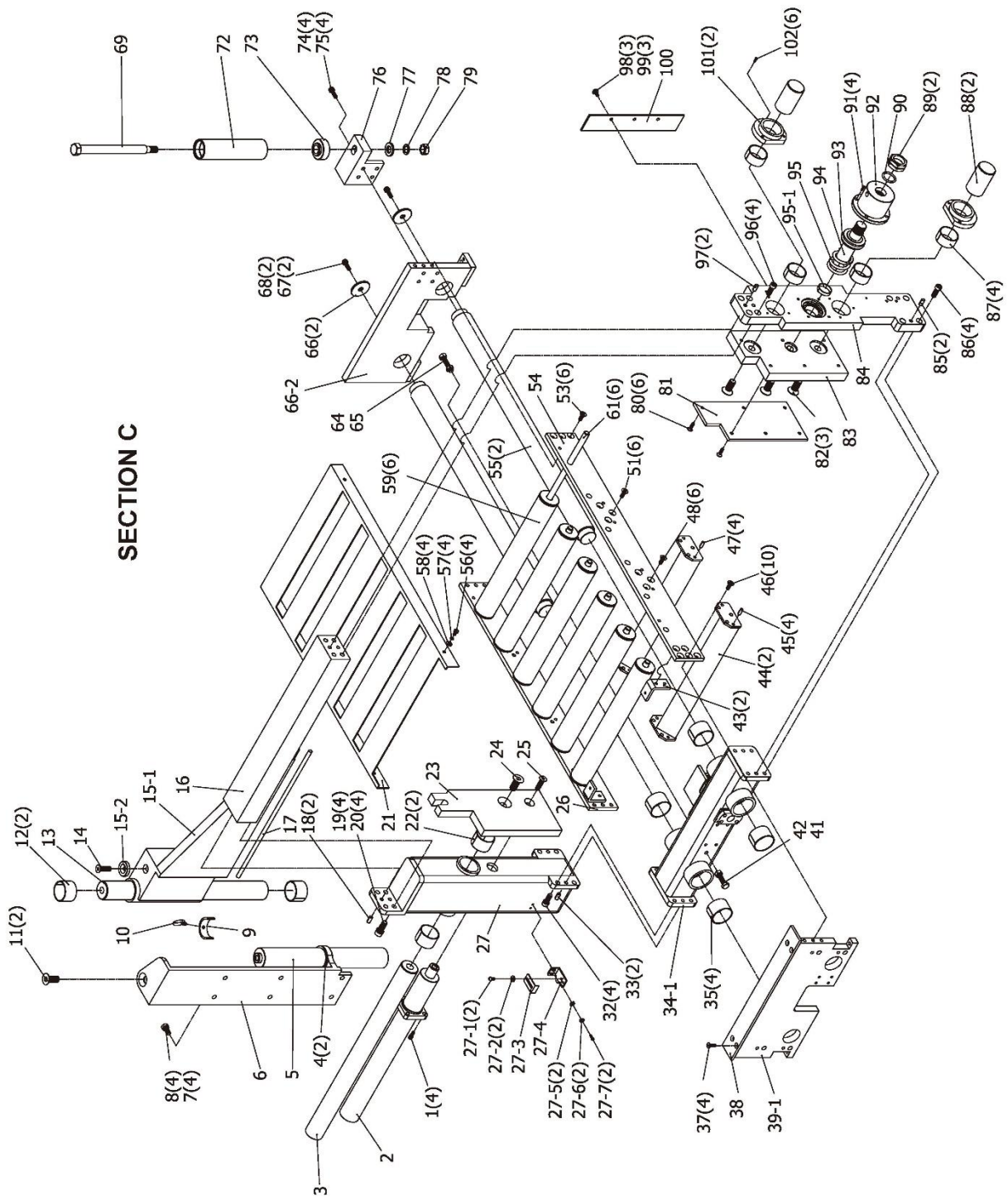
MBS-1318FA Auto Chip Conveyor Assembly



MBS-1318FA Auto Chip Conveyer Assembly

Index No.	Part No.	Description	Size	Q'ty
1	MBS1318FA-B1	Machine Base		1
2	MBS1318FA-B2	Inverter Cover		1
3	MBS1318FA-B3	Round Head Screw	3/16"x1/2"	4
6	MBS1318FA-B6	Big Round Head Screw	1/4"x1/2"	2
7	MBS1318FA-B7	Plastic Handle		1
8	MBS1318FA-B8	Side Plate		1
9	MBS1318FA-B9	Big Round Head Screw	3/16"x1/2"	4
10	MBS1318FA-B10	Upper Cover		1
11	MBS1318FA-B11	Left Cover		1
12	MBS1318FA-B12	Big Round Head Screw	3/16"x1/2"	4
13	MBS1318FA-B13	Line Fixed Plate		1
14	MBS1318FA-B14	Big Round Head Screw	3/16"x1/2"	4
14-1	MBS1318FA-B14-1	Cover	S138F3-42B	1
14-2	MBS1318FA-B14-2	Button Head Socket Screw	3/16"x3/8"L	4
14-3	MBS1318FA-B14-3	Hex. Soc. Cap Screw	M5x30L	4
15	MBS1318FA-B15	Pressure Regulator		1
15-1	MBS1318FA-B15-1	Hex. Soc. Cap Screw	M5x30L	2
15-2	MBS1318FA-B15-2	Manifold Block		1
15-3	MBS1318FA-B15-3	Button Head Socket Screw	M6x8L	4
15-4	MBS1318FA-B15-4	Pressure Regulator Fixation		1
16	MBS1318FA-B16	Big Round Head Screw	3/16"x1/2"	5
17	MBS1318FA-B17	Hydraulic Unit Cover		1
18	MBS1318FA-B18	Wing Screw	M6x12L	2
19	MBS1318FA-B19	Guardrail		1
20	MBS1318FA-B20	Circuit Bottom Plate		1
21	MBS1318FA-B21	Flat Washer	M6	1
22	MBS1318FA-B22	Button Head Socket Screw	M6x12L	1
23	MBS1318FA-B23	Nut	M6	3
24	MBS1318FA-B24	Button Head Socket Screw	5/32"x5/8"L	4
25	MBS1318FA-B25	Spring Washer	5/32"	4
26	MBS1318FA-B26	Flat Washer	5/32"	4
27	MBS1318FA-B27	Altimeter Electrical Control Bottom Plate		1
28	MBS1318FA-B28	Electrical Box Switch Base		1
29	MBS1318FA-B29	Flat Washer	1/4"	2
30	MBS1318FA-B30	Spring Washer	1/4"	2
31	MBS1318FA-B31	Button Head Socket Screw	1/4"x1/2"L	2
32	MBS1318FA-B32	Coolant Pump Seat		1
33	MBS1318FA-B33	Coolant Pump	1/8"x180L	1
34	MBS1318FA-B34	Spring Washer	1/4"	4
35	MBS1318FA-B35	Hex. Cap Bolt	1/4"x1"L	4
36	MBS1318FA-B36	Filter Screen (Machine Base)		1

MBS-1318FA Roller Stand Assembly



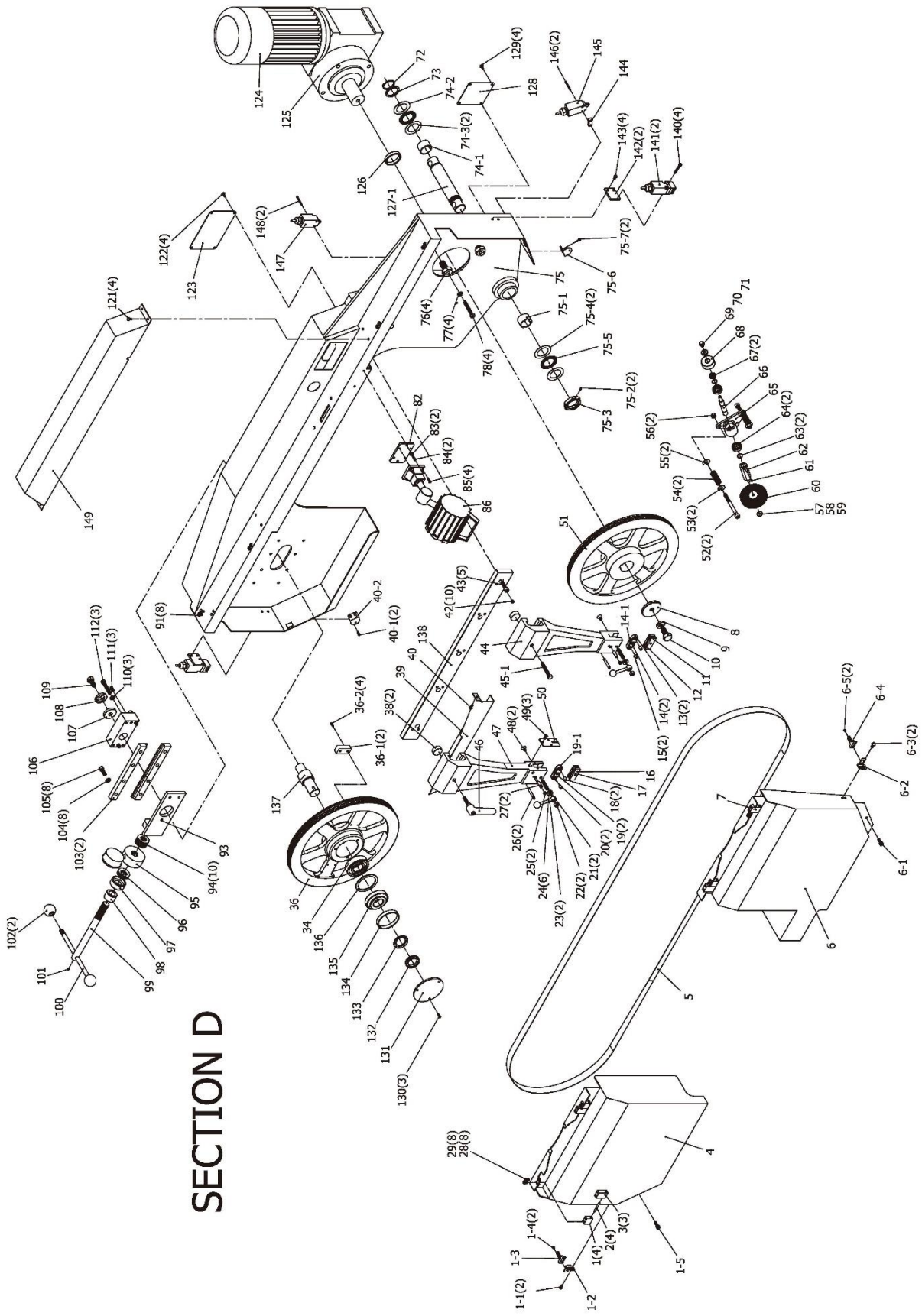
MBS-1318FA Roller Stand Assembly

Index No.	Part No.	Description	Size	Q'ty
1	MBS1318FA-C1	Hex. Soc. Cap Screw	3/8"x1-1/4"	4
2	MBS1318FA-C2	Front Cylinder		1
3	MBS1318FA-C3	Upper Shaft		1
4	MBS1318FA-C4	C Ring	S60	2
5	MBS1318FA-C5	Vertical Cylinder		1
6	MBS1318FA-C6	Fixed Bracket		1
7	MBS1318FA-C7	Spring Washer	1/2"	4
8	MBS1318FA-C8	Hex. Cap Bolt	1/2"x1"	4
9	MBS1318FA-C9	Safety Collar		1
10	MBS1318FA-C10	Ring Screw	M8	1
11	MBS1318FA-C11	Flat Head Screw	3/4"x1-1/4"	2
12	MBS1318FA-C12	Oilless Bearing	BB2067	2
13	MBS1318FA-C13	Guide Shaft		1
14	MBS1318FA-C14	Flat Head Screw	1/2"x3/4"	1
15-1	MBS1318FA-C15-1	Vertical Press Bracket		1
15-2	MBS1318FA-C15-2	Vertical Press Bracket Washer		1
16	MBS1318FA-C16	Upper Bracket		1
17	MBS1318FA-C17	Plastic Wire	8mmx480L	1
18	MBS1318FA-C18	Spring Pin	10x30	2
19	MBS1318FA-C19	Hex. Soc. Cap Screw	1/2"x1-1/4"	4
20	MBS1318FA-C20	Spring Washer	1/2"	4
21	MBS1318FA-C21	Roller Cover		1
22	MBS1318FA-C22	Oilless Bearing	BB2067	2
23	MBS1318FA-C23	Front Vise		1
24	MBS1318FA-C24	Flat Head Screw	3/4"x1"	1
25	MBS1318FA-C25	Flat Head Screw	1/2"x1-1/4"	1
26	MBS1318FA-C26	Roller Holder (L)		1
27	MBS1318FA-C27	Cylinder Bracket		1
27-1	MBS1318FA-C27-1	Button Head Socket Screw	1/4"x1/2"L	2
27-2	MBS1318FA-C27-2	Flat Washer	1/4"	2
27-3	MBS1318FA-C27-3	Adjusting Plate		1
27-4	MBS1318FA-C27-4	Adjusting Bracket		1
27-5	MBS1318FA-C27-5	Flat Washer	1/4"	2
27-6	MBS1318FA-C27-6	Spring Washer	1/4"	2
27-7	MBS1318FA-C27-7	Hex. Soc. Cap Screw	1/4"x1/2"L	2
32	MBS1318FA-C32	Hex. Soc. Cap Screw	1/2"x1-1/4"	4
33	MBS1318FA-C33	Spring Pin	10x30	2
34	MBS1318FA-C34	Rod Supporter		1
35	MBS1318FA-C35	Oilless Bearing 6040	BB2068	4
37	MBS1318FA-C37	Flat Head Screw	5/16"x3/4"	4
38	MBS1318FA-C38	Upper Bracket		1
39-1	MBS1318FA-C39-1	Front Bracket		1
41	MBS1318FA-C41	Hex. Cap Bolt	1/2"x2-1/2"	1
42	MBS1318FA-C42	Nut	1/2"	1
43	MBS1318FA-C43	Angle Plate		2
44	MBS1318FA-C44	Enhance Plate		2
45	MBS1318FA-C45	Spring Pin	8x20	4
46	MBS1318FA-C46	Flat Head Screw	3/8"x1"	10
47	MBS1318FA-C47	Spring Pin	8x20	4
48	MBS1318FA-C48	Flat Head Screw	3/8"x1"	6
51	MBS1318FA-C51	Flat Head Screw	3/8"x1"	6
53	MBS1318FA-C53	Flat Head Screw	3/8"x1"	6
54	MBS1318FA-C54	Roller Holder (R)		1
55	MBS1318FA-C55	Feeding Rod		2
56	MBS1318FA-C56	Hex. Cap Bolt	5/16"x1/2"	4
57	MBS1318FA-C57	Spring Washer	5/16"	4
58	MBS1318FA-C58	Flat Washer	5/16"	4
59	MBS1318FA-C59	Roller		6
61	MBS1318FA-C61	Roller Shaft		6
64	MBS1318FA-C64	Steel Hex. Cap Bolt	1/2"x1-3/4"	1

MBS-1318FA Roller Stand Assembly

Index No.	Part No.	Description	Size	Q'ty
65	MBS1318FA-C65	Nut	1/2"	1
66	MBS1318FA-C66	Washer		2
66-2	MBS1318FA-C66-2	Roller Bracket (Rear)		1
67	MBS1318FA-C67	Steel Hex. Cap Bolt	1/2"x1-1/4"	2
68	MBS1318FA-C68	Spring Washer	1/2"	2
69	MBS1318FA-C69	Roller Shaft		1
72	MBS1318FA-C72	Vertical Roller		1
73	MBS1318FA-C73	Roller Sleeve		1
74	MBS1318FA-C74	Steel Hex. Cap Bolt	3/8"x1"	4
75	MBS1318FA-C75	Spring Washer	3/8"	4
76	MBS1318FA-C76	Vertical Roller Bracket		1
77	MBS1318FA-C77	Flat Washer	3/4"	1
78	MBS1318FA-C78	Spring Washer	3/4"	1
79	MBS1318FA-C79	Nut	3/4"	1
80	MBS1318FA-C80	Flat Head Screw	5/16"x3/4"	6
81	MBS1318FA-C81	Vise Steel Plate		1
82	MBS1318FA-C82	Flat Head Screw	3/4"x1-1/4"	3
83	MBS1318FA-C83	Feeding Fixed Vise		1
84	MBS1318FA-C84	Vise Locking Bracket		1
85	MBS1318FA-C85	Spring Pin	10x30L	2
86	MBS1318FA-C86	Hex. Soc. Cap Screw	1/2"x1-1/4"	4
87	MBS1318FA-C87	Oilless Bearing	BB2066	4
88	MBS1318FA-C88	Upper Shaft		2
89	MBS1318FA-C89	Nut		2
90	MBS1318FA-C90	O Ring	P35	1
91	MBS1318FA-C91	Hex. Soc. Cap Screw	5/16"x1"	4
92	MBS1318FA-C92	Cylinder Sleeve		1
93	MBS1318FA-C93	O Ring	P60	1
94	MBS1318FA-C94	Short Cylinder Piston		1
95	MBS1318FA-C95	Spring		1
95-1	MBS1318FA-C95-1	Oilless Bearing	BB2059	1
96	MBS1318FA-C96	Hex. Soc. Cap Screw	1/2"x1-1/4"	4
97	MBS1318FA-C97	Spring Pin	10x30L	2
98	MBS1318FA-C98	Spring Washer	5/16"	3
99	MBS1318FA-C99	Button Head Socket Screw	5/16"x1"	3
100	MBS1318FA-C100	Guide Plate		1
101	MBS1318FA-C101	Shaft Collar		2
102	MBS1318FA-C102	Hex. Soc. Cap Screw	1/4"x1"	6

MBS-1318FA Bow Assembly



MBS-1318FA Bow Assembly

Index No.	Part No.	Description	Size	Q'ty
1	MBS1318FA-D1	Cover Latch		4
1-1	MBS1318FA-D1-1	Round Head Screw	1/4"x1/2"L	2
1-2	MBS1318FA-D1-2	Saw Bow Cover Micro Switch Pin Bracket		1
1-3	MBS1318FA-D1-3	Micro Switch Pin		1
1-4	MBS1318FA-D1-4	Round Head Screw	5/32"x3/8"L	2
1-5	MBS1318FA-D1-5	Button Head Socket Screw	1/4"x3/8"L	1
2	MBS1318FA-D2	Solid Pin	5x50L	4
3	MBS1318FA-D3	Cover Latch		3
4	MBS1318FA-D4	Front Wheel Cover		1
5	MBS1318FA-D5	Blade	27x0.9x4130	1
6	MBS1318FA-D6	Rear Wheel Cover		1
6-1	MBS1318FA-D6-1	Button Head Socket Screw	1/4"x3/8"L	1
6-2	MBS1318FA-D6-2	Saw Bow Cover Micro Switch Pin Bracket		1
6-3	MBS1318FA-D6-3	Round Head Screw	1/4"x1/2"L	2
6-4	MBS1318FA-D6-4	Micro Switch Pin		1
6-5	MBS1318FA-D6-5	Round Head Screw	5/32"x3/8"L	2
7	MBS1318FA-D7	Rear Latch		1
8	MBS1318FA-D8	Wheel Washer		1
9	MBS1318FA-D9	Spring Washer	3/4"	1
10	MBS1318FA-D10	Hex. Cap Bolt	5/8"x1-1/4"	1
11	MBS1318FA-D11	Adjustable Guide		1
12	MBS1318FA-D12	Fixed Guide		1
13	MBS1318FA-D13	Bearing	BB2148	2
14	MBS1318FA-D14	Bearing Bracket		1
14-1	MBS1318FA-D14-1	Bearing Shaft		1
15	MBS1318FA-D15	Solid Pin	8x12L	2
16	MBS1318FA-D16	Adjustable Guide		1
17	MBS1318FA-D17	Fixed Guide		1
18	MBS1318FA-D18	Solid Pin	8x12L	2
19	MBS1318FA-D19	Bearing Bracket		2
19-1	MBS1318FA-D19-1	Bearing Shaft		1
20	MBS1318FA-D20	Bearing	BB2148	2
21	MBS1318FA-D21	Adjusting Screw		2
22	MBS1318FA-D22	Nut	3/8"	2
23	MBS1318FA-D23	Locking Handle		2
24	MBS1318FA-D24	Disc Washer		6
25	MBS1318FA-D25	Set Screw		2
26	MBS1318FA-D26	Spring Pin	5x45L	2
27	MBS1318FA-D27	Solid Pin	8x25L	2
28	MBS1318FA-D28	Button Head Socket Screw	1/4"x1/2"L	8
29	MBS1318FA-D29	Spring Washer	1/4"	8
34	MBS1318FA-D34	Bearing	BB2160	1
36	MBS1318FA-D36	Front Wheel		1
36-1	MBS1318FA-D36-1	Broken Blade Detection Sensor Contact Plate		2
36-2	MBS1318FA-D36-2	Hex. Soc. Cap Screw	3/16"x3/4"L	4
38	MBS1318FA-D38	Lock Brass		2
39	MBS1318FA-D39	Blade Guard		1
40	MBS1318FA-D40	Button Head Socket Screw	1/4"x1/2"L	1
40-1	MBS1318FA-D40-1	Button Head Socket Screw	1/4"x1/4"L	2
40-2	MBS1318FA-D40-2	Saw Bow Cover Bracket		1
42	MBS1318FA-D42	Set Screw	3/8"x3/4"	10
43	MBS1318FA-D43	Hex. Soc. Cap Screw	3/8"x1"	5
44	MBS1318FA-D44	Blade Guide Arm (Rear)		1
45-1	MBS1318FA-D45-1	Steel Hex. Cap Bolt	1/2"x1-1/2"L	1
46	MBS1318FA-D46	Locking Handle	1/2"X40	1
47	MBS1318FA-D47	Blade Guide Arm (Front)		1
48	MBS1318FA-D48	Flat Head Screw	5/16"x3/4"	2
49	MBS1318FA-D49	Button Head Socket Screw	1/4"x1/2"	3
50	MBS1318FA-D50	Coolant Cover		1
51	MBS1318FA-D51	Rear Wheel		1

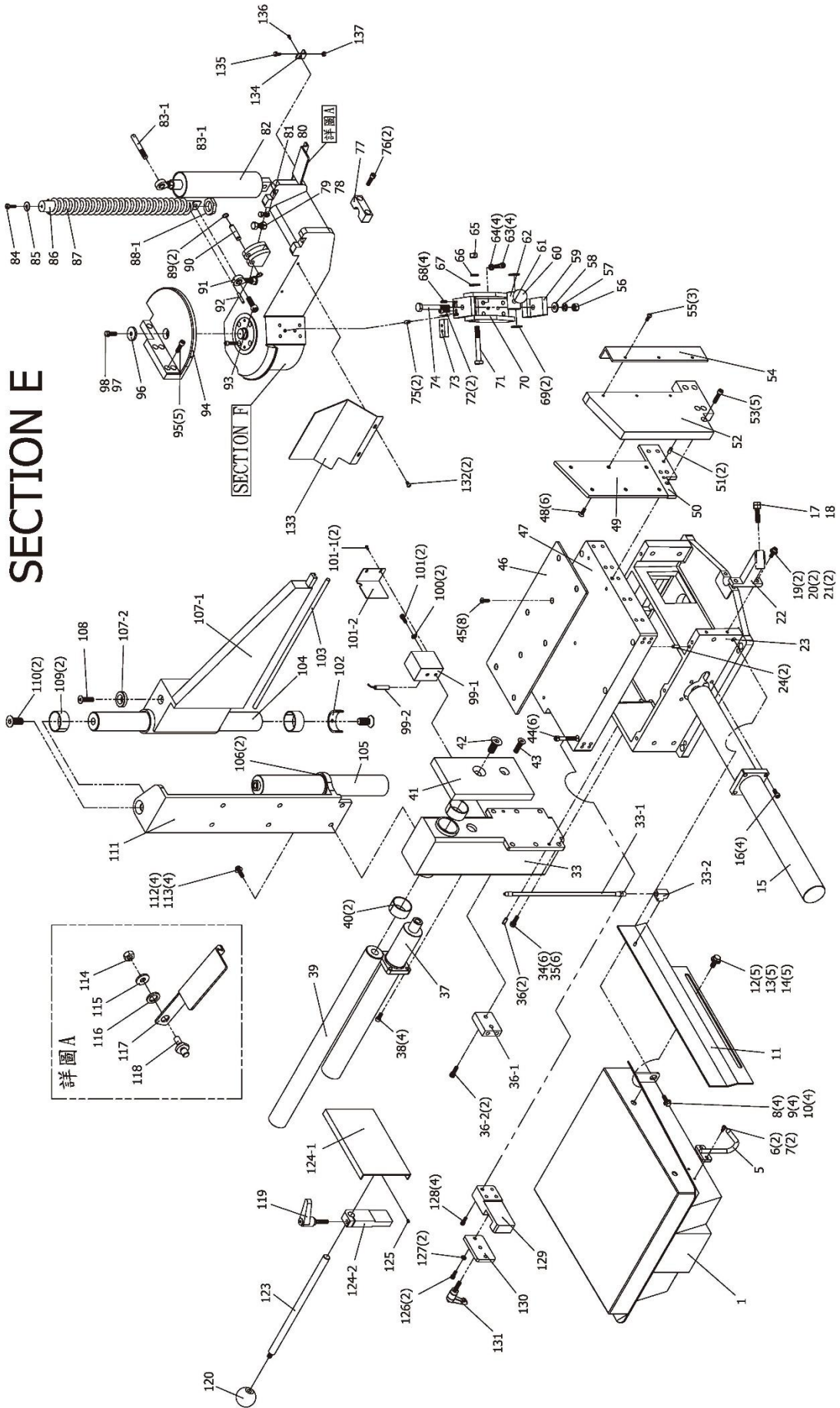
MBS-1318FA Bow Assembly

Index No.	Part No.	Description	Size	Q'ty
52	MBS1318FA-D52	Hex. Soc. Cap Screw	3/8"x4"	2
53	MBS1318FA-D53	Flat Washer	3/8"	2
54	MBS1318FA-D54	Compress Spring		2
55	MBS1318FA-D55	Flat Washer	3/8"	2
56	MBS1318FA-D56	Nut	3/8"	2
57	MBS1318FA-D57	Nut	1/4"	1
58	MBS1318FA-D58	Flat Washer	1/4"	1
59	MBS1318FA-D59	Spring Washer	1/4"	1
60	MBS1318FA-D60	Chip Brush		1
61	MBS1318FA-D61	Set Screw	1/4"x1/4"	1
62	MBS1318FA-D62	Brush Shaft		1
63	MBS1318FA-D63	C Ring	S15	2
64	MBS1318FA-D64	Bearing	BB2138	2
65	MBS1318FA-D65	Brush Bracket		1
66	MBS1318FA-D66	Shaft		1
67	MBS1318FA-D67	Rubber Cover		2
68	MBS1318FA-D68	Brush Wheel		1
69	MBS1318FA-D69	Flat Washer	1/4"	1
70	MBS1318FA-D70	Spring Washer	1/4"	1
71	MBS1318FA-D71	Hex. Cap Bolt	1/4"x1/2"	1
72	MBS1318FA-D72	C Ring	S38	1
73	MBS1318FA-D73	Washer		1
74-1	MBS1318FA-D74-1	Oilless Bush	BB2062B	1
74-2	MBS1318FA-D74-2	Oilless Bearing	BB2211	1
74-3	MBS1318FA-D74-3	Bearing	BB2212	1
75	MBS1318FA-D75	Saw Head		1
75-1	MBS1318FA-D75-1	Oilless Bearing	BB2062B	1
75-2	MBS1318FA-D75-2	Set Screw	1/4"x1/4"	2
75-3	MBS1318FA-D75-3	Saw Bow Fulcrum Adjusting Buckle		1
75-4	MBS1318FA-D75-4	Cover	BB2212	2
75-5	MBS1318FA-D75-5	Bearing	BB2211	1
75-6	MBS1318FA-D75-6	Saw Bow Cover Bracket		1
75-7	MBS1318FA-D75-7	Button Head Socket Screw	1/4"x1/4"L	2
76	MBS1318FA-D76	Adjusting Screw		4
77	MBS1318FA-D77	Spring Washer	1/2"	4
78	MBS1318FA-D78	Steel Hex. Cap Bolt	1/2"x2-1/2"	4
82	MBS1318FA-D82	Light Plate		1
83	MBS1318FA-D83	Spring Washer	3/16"	2
84	MBS1318FA-D84	Big Round Head Screw	3/16"x1/2"	2
85	MBS1318FA-D85	Hex. Soc. Cap Screw	3/16"x5/8"	4
86	MBS1318FA-D86	Work Light		1
91	MBS1318FA-D91	Button Head Socket Screw	1/4"x1/2"	8
93	MBS1318FA-D93	Tension Slide		1
94	MBS1318FA-D94	Disc Washer		10
95	MBS1318FA-D95	Tension Gauge		1
96	MBS1318FA-D96	Thrust Bearing	51105	1
97	MBS1318FA-D97	Thrust Bearing Sleeve		1
98	MBS1318FA-D98	Front Sleeve		1
99	MBS1318FA-D99	Tension Bolt		1
100	MBS1318FA-D100	Tension Handle		1
101	MBS1318FA-D101	Set Screw	1/4"x1/4"	1
102	MBS1318FA-D102	Bakelite Ball	1-1/2"x1/2"	2
103	MBS1318FA-D103	Fixed Plate		2
104	MBS1318FA-D104	Spring Washer	3/8"	8
105	MBS1318FA-D105	Hex. Soc. Cap Screw	3/8"x1"	8
106	MBS1318FA-D106	Wheel Fixed Block		1
107	MBS1318FA-D107	Fixed Washer		1
108	MBS1318FA-D108	Spring Washer	1/2"	1
109	MBS1318FA-D109	Hex. Cap Bolt	1/2"x1"	1
110	MBS1318FA-D110	Spring Washer	3/8"	3

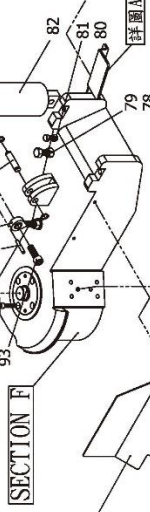
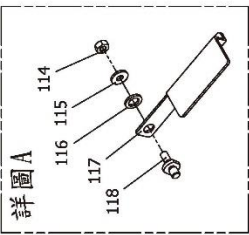
MBS-1318FA Bow Assembly

Index No.	Part No.	Description	Size	Q'ty
111	MBS1318FA-D111	Set Screw	3/8"x3/4"	3
112	MBS1318FA-D112	Hex. Soc. Cap Screw	3/8"x2"	3
121	MBS1318FA-D121	Button Head Socket Screw	3/16"x1/2"	4
122	MBS1318FA-D122	Button Head Socket Screw	3/16"x1/2"	4
123	MBS1318FA-D123	Cover		1
124	MBS1318FA-D124	Motor	5 HP	1
125	MBS1318FA-D125	Worm Reducer		1
126	MBS1318FA-D126	Shaft Collar		1
127-1	MBS1318FA-D127-1	Saw Head Shaft		1
128	MBS1318FA-D128	Lower Cover		1
129	MBS1318FA-D129	Button Head Socket Screw	3/16"x1/2"	4
130	MBS1318FA-D130	Hex. Soc. Sap Screw	1/4"x1/2"	3
131	MBS1318FA-D131	Bearing Cover		1
132	MBS1318FA-D132	Bearing Nut		1
133	MBS1318FA-D133	Tooth Washer		1
134	MBS1318FA-D134	Big Spacer		1
135	MBS1318FA-D135	Bearing	30307	1
136	MBS1318FA-D136	Front Wheel Spacer		1
137	MBS1318FA-D137	Front Wheel Shaft		1
138	MBS1318FA-D138	Steel Plate		1
140	MBS1318FA-D140	Hex. Soc. Cap Screw	5/32"x1-1/4"	4
141	MBS1318FA-D141	Limit Switch		2
142	MBS1318FA-D142	Position Plate		2
143	MBS1318FA-D143	Button Head Socket Screw	1/4"x1/2"	4
144	MBS1318FA-D144	Switch Plate		1
145	MBS1318FA-D145	Limit Switch		1
146	MBS1318FA-D146	Hex. Soc. Cap Screw	5/32"x1-1/4"	2
147	MBS1318FA-D147	Limit Switch		1
148	MBS1318FA-D148	Hex. Soc. Cap Screw	5/32"x1-1/4"	2
149	MBS1318FA-D149	Upper Device		1

MBS-1318FA Rotary Mechanism Assembly



SECTION E



MBS-1318FA Rotary Mechanism Assembly

Index No.	Part No.	Description	Size	Q'ty
1	MBS1318FA-E1	Retrieval Table		1
5	MBS1318FA-E5	Coolant Gun Holder		1
6	MBS1318FA-E6	Hex. Soc. Cap Screw	1/4"x1"	2
7	MBS1318FA-E7	Spring Washer	1/4"	2
8	MBS1318FA-E8	Hex. Cap Bolt	1/2"x5/8"L	4
9	MBS1318FA-E9	Spring Washer	1/2"	4
10	MBS1318FA-E10	Flat Washer	1/2"	4
11	MBS1318FA-E11	Side Plate		1
12	MBS1318FA-E12	Hex. Cap Bolt	1/2"x5/8"L	2
13	MBS1318FA-E13	Spring Washer	1/2"	2
14	MBS1318FA-E14	Flat Washer	1/2"	2
15	MBS1318FA-E15	Feeding Cylinder		1
16	MBS1318FA-E16	Hex. Soc. Cap Screw	3/8"x1-1/4"L	4
17	MBS1318FA-E17	Hex. Cap Bolt	1/2"x1-1/4"L	1
18	MBS1318FA-E18	Nut	1/2"	1
19	MBS1318FA-E19	Hex. Soc. Cap Screw	3/8"x1-1/4"L	2
20	MBS1318FA-E20	Spring Washer	3/8"	2
21	MBS1318FA-E21	Flat Washer	3/8"	2
22	MBS1318FA-E22	0° Position Device		1
23	MBS1318FA-E23	Cutting Table		1
24	MBS1318FA-E24	Spring Pin	8x20L	2
33	MBS1318FA-E33	Cylinder Supporter		1
33-1	MBS1318FA-E33-1	Pipe	1/4"X18"	1
33-2	MBS1318FA-E33-2	T-joint	1/4PT	1
34	MBS1318FA-E34	Steel Hex. Cap Bolt	1/2"x1-1/2"L	6
35	MBS1318FA-E35	Spring Washer	1/2"	6
36	MBS1318FA-E36	Spring Pin	8x20L	2
36-1	MBS1318FA-E36-1	Splitter Plate		1
36-2	MBS1318FA-E36-2	Hex. Soc. Cap Screw	3/8"x1"L	2
37	MBS1318FA-E37	Vise Cylinder		1
38	MBS1318FA-E38	Hex. Soc. Cap Screw	3/8"x1-1/4"L	4
39	MBS1318FA-E39	Upper Shaft		1
40	MBS1318FA-E40	Oilless Bearing	BB2067	2
41	MBS1318FA-E41	Front Vise		1
42	MBS1318FA-E42	Flat Head Screw	3/4"x1-1/4"L	1
43	MBS1318FA-E43	Flat Head Screw	1/2"x1-1/4"L	1
44	MBS1318FA-E44	Hex. Soc. Cap Screw	3/8"x2-1/2"L	6
45	MBS1318FA-E45	Flat Head Screw	5/16"x3/4"L	8
46	MBS1318FA-E46	Cutting Plate		1
47	MBS1318FA-E47	Cutting Table		1
48	MBS1318FA-E48	Flat Head Screw	5/16"x3/4"L	6
49	MBS1318FA-E49	Vise Steel Plate		1
50	MBS1318FA-E50	Attached Plate		1
51	MBS1318FA-E51	Spring Pin	8x20L	2
52	MBS1318FA-E52	Rear Vise		1
53	MBS1318FA-E53	Hex. Soc. Cap Screw	3/8"x2"L	5
54	MBS1318FA-E54	Guide Plate		1
55	MBS1318FA-E55	Hex. Soc. Cap Screw	5/16"x3/4"L	3
56	MBS1318FA-E56	Nylon Nut	1/2"	1
57	MBS1318FA-E57	C Ring	1/2"	1
58	MBS1318FA-E58	Flat Washer	1/2"	1
59	MBS1318FA-E59	Clamping Block		1
60	MBS1318FA-E60	Bakelite Ball	1-1/2"x1/2"	1
61	MBS1318FA-E61	Cam Handle		1
62	MBS1318FA-E62	Locking Cam		1
63	MBS1318FA-E63	Hex. Soc. Cap Screw	3/8"x1-1/4"L	4
64	MBS1318FA-E64	Spring Washer	3/8"	4
65	MBS1318FA-E65	Nylon Nut	1/2"	1
66	MBS1318FA-E66	Spring Washer	1/2"	1
67	MBS1318FA-E67	Flat Washer	1/2"	1

MBS-1318FA Rotary Mechanism Assembly

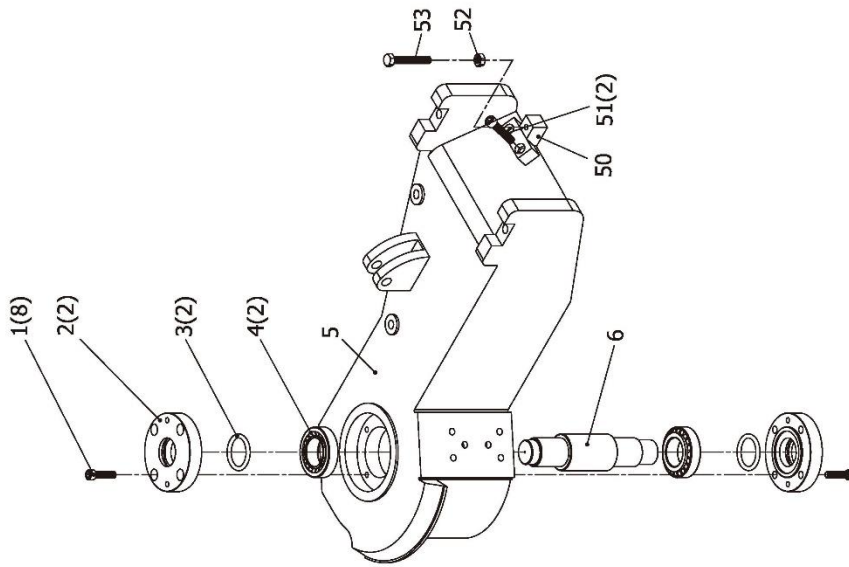
Index No.	Part No.	Description	Size	Q'ty
68	MBS1318FA-E68	Set Screw	1/4"x3/4"L	4
69	MBS1318FA-E69	Flat Washer	1/2"	2
70	MBS1318FA-E70	Fixed Block		1
71	MBS1318FA-E71	Steel hex Cap Bolt	1/2"x4"L	1
72	MBS1318FA-E72	Hex. Soc. Cap Screw	5/16"x1"L	2
73	MBS1318FA-E73	Upper Clamp Block		1
74	MBS1318FA-E74	Steel Hex. Cap Bolt	1/2"x4"L	1
75	MBS1318FA-E75	Spring Pin	8x20L	2
76	MBS1318FA-E76	Hex. Soc. Cap Screw	3/8"x1-1/2"L	2
77	MBS1318FA-E77	Locking Block		1
78	MBS1318FA-E78	Nut	1/2"	1
79	MBS1318FA-E79	Hex. Cap Bolt	1/2"x1-1/2"L	1
80	MBS1318FA-E80	Nut	3/8"	1
81	MBS1318FA-E81	Hex. Cap Bolt	3/8"x1"L	1
82	MBS1318FA-E82	Lift Cylinder		1
83-1	MBS1318FA-E83-1	Upper shaft		1
84	MBS1318FA-E84	Hex. Cap Bolt	5/16"x1"L	1
85	MBS1318FA-E85	Flat washer	5/16"	1
86	MBS1318FA-E86	Spring Shaft		1
87	MBS1318FA-E87	Compress Spring		1
88-1	MBS1318FA-E88-1	Nut		1
89	MBS1318FA-E89	C Ring	S12	2
90	MBS1318FA-E90	Lower Shaft		1
91	MBS1318FA-E91	Fish Eye Bearing	1/2"X20UNF	1
92	MBS1318FA-E92	Spring Pin	6x30	1
93	MBS1318FA-E93	Hex. Soc. Cap Screw	1/2"x1-1/4"	1
94	MBS1318FA-E94	Upper Cover		1
95	MBS1318FA-E95	Hex. Soc. Cap Screw	3/8"x1-1/4"	5
96	MBS1318FA-E96	Locking Washer		1
97	MBS1318FA-E97	Spring Washer	3/8"	1
98	MBS1318FA-E98	Steel Hex. Cap Bolt	3/8"x1"	1
99-1	MBS1318FA-E99-1	Sensor Bracket		1
99-2	MBS1318FA-E99-2	Zero Point Sensor		1
100	MBS1318FA-E100	Spring Washer	5/16"	2
101	MBS1318FA-E101	Hex. Soc. Cap Screw	5/16"x1/2"	2
101-1	MBS1318FA-E101-1	Sensor Cover		1
101-2	MBS1318FA-E101-2	Button Head Socket Screw	3/16"x1/2"L	2
102	MBS1318FA-E102	Safety Collar		1
103	MBS1318FA-E103	Plastic Wire	8mmx480L	1
104	MBS1318FA-E104	Guide Shaft		1
105	MBS1318FA-E105	Press Cylinder		1
106	MBS1318FA-E106	C Ring	S60	2
107-1	MBS1318FA-E107-1	Press Bracket		1
107-2	MBS1318FA-E107-2	Vertical Press Bracket Washer		1
108	MBS1318FA-E108	Flat Head Screw	1/2"x3/4"	1
109	MBS1318FA-E109	Oilless Bearing	BB2067	2
110	MBS1318FA-E110	Flat Head Screw	3/4"x1-1/4"	2
111	MBS1318FA-E111	Press Fixed Bracket		1
112	MBS1318FA-E112	Spring Washer	1/2"	4
113	MBS1318FA-E113	Hex. Cap Bolt	1/2"x1"	4
114	MBS1318FA-E114	Nylon Nut	3/8"	1
115	MBS1318FA-E115	Position Washer		1
116	MBS1318FA-E116	Position Plastic Washer		1
117	MBS1318FA-E117	Adjusting Plate		1
118	MBS1318FA-E118	Adjusting Screw		1
119	MBS1318FA-E119	Handle	3/8"x30	1
120	MBS1318FA-E120	Bakelite Ball	2"x1/2"	1
123	MBS1318FA-E123	Rod		1
124-1	MBS1318FA-E124-1	Left Plate		1
124-2	MBS1318FA-E124-2	Left Bracket		1

MBS-1318FA Rotary Mechanism Assembly

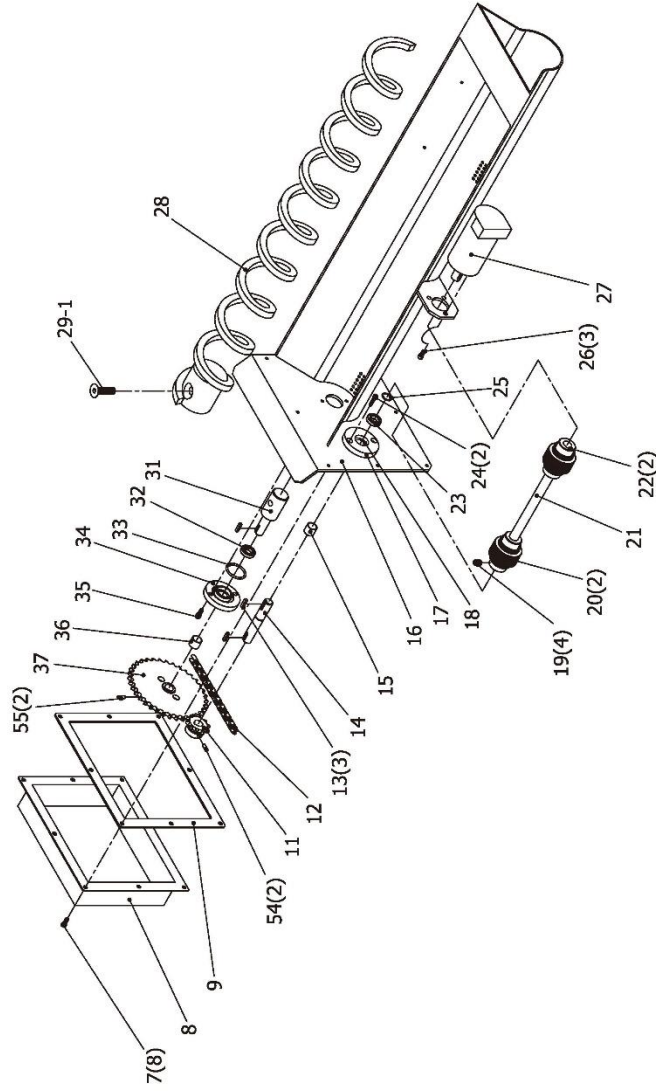
Index No.	Part No.	Description	Size	Q'ty
125	MBS1318FA-E125	.. Set Screw	5/16"x3/8"	1
126	MBS1318FA-E126	.. Hex. Soc. Cap Screw	5/16"x3/4"L	2
127	MBS1318FA-E127	.. Spring Washer	5/16"	2
128	MBS1318FA-E128	.. Hex. Soc. Cap Screw	5/16"x1-1/2"L	4
129	MBS1318FA-E129	.. Position Block		1
130	MBS1318FA-E130	.. Cover		1
131	MBS1318FA-E131	.. Handle	M10x30L	1
132	MBS1318FA-E132	.. Button Head Socket Screw	1/4"x1/4"	2
133	MBS1318FA-E133	.. Chip Hood		1
134	MBS1318FA-E134	.. Height Limit Bracket		1
135	MBS1318FA-E135	.. Hex. Cap Bolt	1/4"x1/2"L	1
136	MBS1318FA-E136	.. Button Head Socket Screw	5/16"x5/16"L	1
137	MBS1318FA-E137	.. Nut	1/4"	1

MBS-1318FA Swing Base Assembly

SECTION F



Swing base



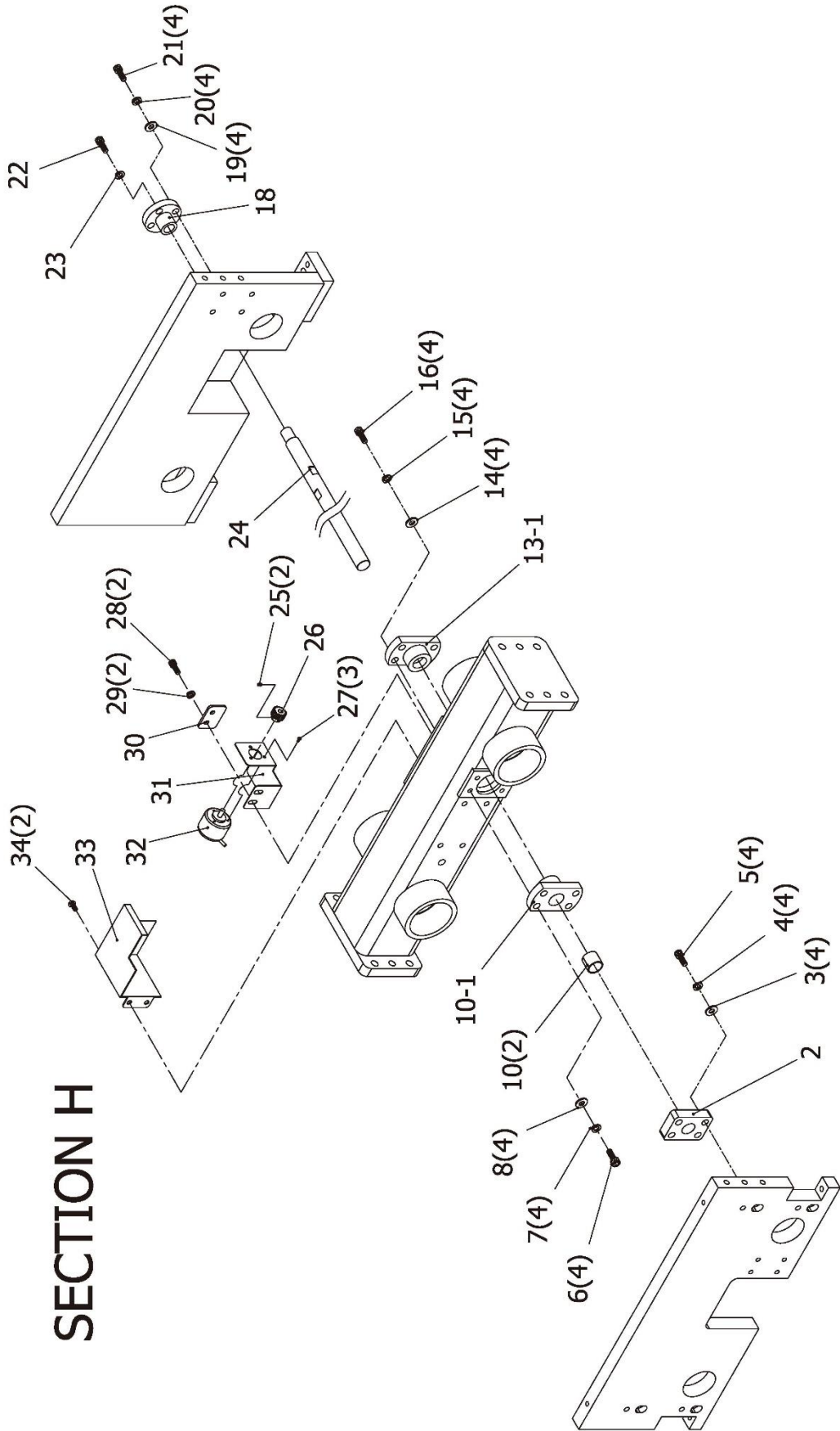
Auto chip conveyor

MBS-1318FA Swing Base Assembly

Index No.	Part No.	Description	Size	Q'ty
1	MBS1318FA-F1	Hex. Soc. Cap Screw	5/16"x1-1/2"	8
2	MBS1318FA-F2	Swing Cover		2
3	MBS1318FA-F3	O Ring	P35	2
4	MBS1318FA-F4	Bearing	32007	2
5	MBS1318FA-F5	Swing Base		1
6	MBS1318FA-F6	Swing Shaft		1
7	MBS1318FA-F7	Hex. Soc. Cap Screw	1/4"x1/2"	8
8	MBS1318FA-F8	Chain Wheel Cover		1
9	MBS1318FA-F9	Rubber Seal		1
11	MBS1318FA-F11	Small Chain Wheel		1
12	MBS1318FA-F12	Chain		1
13	MBS1318FA-F13	Key	5x20	3
14	MBS1318FA-F14	Small Shaft		1
15	MBS1318FA-F15	Oilless Bearing	1625	1
16	MBS1318FA-F16	Conveyer Base		1
17	MBS1318FA-F17	Small Shaft Bush		1
18	MBS1318FA-F18	O Ring	P-32	1
19	MBS1318FA-F19	Set Screw	M6x6	4
20	MBS1318FA-F20	Rubber Cover		2
21	MBS1318FA-F21	Drive Shaft		1
22	MBS1318FA-F22	Universal Joint		2
23	MBS1318FA-F23	Oil Seal		1
24	MBS1318FA-F24	Hex. Soc. Cap Screw	1/4"x3/8"	2
25	MBS1318FA-F25	C Ring	S-16	1
26	MBS1318FA-F26	Hex. Soc. Cap Screw	M6x16	3
27	MBS1318FA-F27	Hydraulic Motor		1
28	MBS1318FA-F28	Conveyer Screw		1
29-1	MBS1318FA-F29-1	Flat Head Screw	M8x60	1
31	MBS1318FA-F31	Large Chain Wheel Shaft		1
32	MBS1318FA-F32	Oil Seal		1
33	MBS1318FA-F33	O Ring	P-32	1
34	MBS1318FA-F34	Shaft Bush		1
35	MBS1318FA-F35	Hex. Soc. Cap Screw	1/4"x3/8"	2
36	MBS1318FA-F36	Oilless Bearing	1625	1
37	MBS1318FA-F37	Big Chain Wheel		1
50	MBS1318FA-F50	Limited Set		1
51	MBS1318FA-F51	Hex. Soc. Cap Screw	1/2"x1-1/4"	2
52	MBS1318FA-F52	Nut	1/2"	1
53	MBS1318FA-F53	Steel Hex. Cap Bolt	1/2"x1-3/4"	1
54	MBS1318FA-F54	Set Screw	M5x5	2
55	MBS1318FA-F55	Set Screw	M5x5	2

MBS-1318FA Electric Box Assembly

Index No.	Part No.	Description	Size	Q'ty
1	MBS1318FA-G1	Emergency Stop Button	SB1	1
2	MBS1318FA-G2	Power Indicator Light	HL1	1
3	MBS1318FA-G3	Hydraulic Start Button	SB2/HL3	1
4	MBS1318FA-G4	Operation Start Button	SB3/HL2	1
5	MBS1318FA-G5	Bow Up Button	SB5	1
6	MBS1318FA-G6	Bow Down Button	SB6	1
7	MBS1318FA-G7	LED Light	HL7	1
8	MBS1318FA-G8	LED Light	HL8	1
9	MBS1318FA-G9	Bench Vise Open Button	SB8	1
10	MBS1318FA-G10	Shuttle Vise Open Button	SB10	1
11	MBS1318FA-G11	LED Light	HL10	1
12	MBS1318FA-G12	LED Light	HL11	1
13	MBS1318FA-G13	Bench Vise Close Button	SB7	1
14	MBS1318FA-G14	Shuttle Vise Close Button	SB9	1
15	MBS1318FA-G15	Select Switch	SA2	1
16	MBS1318FA-G16	Shuttle Vise Forward Button	SB11	1
17	MBS1318FA-G17	LED Light	HL12	1
18	MBS1318FA-G18	Cover		1
19	MBS1318FA-G19	Shuttle Vise Backward Button	SB12	1
20	MBS1318FA-G20	Coolant Pump Button	SB4/HL4	1
21	MBS1318FA-G21	Light Button	SB14/HL14	1
22	MBS1318FA-G22	Touch Screen (5.7")	HMI	1
23	MBS1318FA-G23	Transformer	T1	1
24	MBS1318FA-G24	Power In Connecting Board	X9	1
26	MBS1318FA-G26	Terminal Board	X3	1
27	MBS1318FA-G27	Coolant Motor Overload Relay	FS3	1
28	MBS1318FA-G28	Hydraulic Motor Overload Relay	FS2	1
29	MBS1318FA-G29	Motor Circular Protector	QM2	1
30	MBS1318FA-G30	Power In Fuse	FU4	1
31	MBS1318FA-G31	Power In Fuse	FU5	1
32	MBS1318FA-G32	Power In Fuse	FU6	1
33	MBS1318FA-G33	Transformer Power In Fuse	FU7	1
34	MBS1318FA-G34	Transformer Power In Fuse	FU8	1
35	MBS1318FA-G35	Inverter Fan Output Fuse	FU9	1
36	MBS1318FA-G36	Transformer Output Fuse	FU10,100V	1
37	MBS1318FA-G37	Transformer Output Fuse	FU11,100V	1
38	MBS1318FA-G38	Transformer Output Fuse	FU12,DC24V	1
39	MBS1318FA-G39	Blade Motor Contactor	KM1	1
40	MBS1318FA-G40	Hydraulic Motor Contactor	KM2	1
41	MBS1318FA-G41	Coolant Motor Contactor	KM3	1
42	MBS1318FA-G42	Relay	K1	1
43	MBS1318FA-G43	Relay	K7	1
44	MBS1318FA-G44	Relay	K17	1
45	MBS1318FA-G45	Power Supply Fuse	FU13,DC24V	1
46	MBS1318FA-G46	PLC	U1	1
47	MBS1318FA-G47	Terminal Board	X5	1
48	MBS1318FA-G48	Terminal Blocker (Earth Wire)		1
49-1	MBS1318FA-G49-1	Inverter	5HP 380V	1
50	MBS1318FA-G50	Power Supplier	U5	1
51	MBS1318FA-G51	Power Supplier Input Fuse	FU14	1
52	MBS1318FA-G52	Power Supplier Output Fuse	FU16	1
53	MBS1318FA-G53	Time Meter	KT1	1
54	MBS1318FA-G54	Connector	X6	1
55	MBS1318FA-G55	Connector	X5	1
56	MBS1318FA-G56	Connector	X7	1

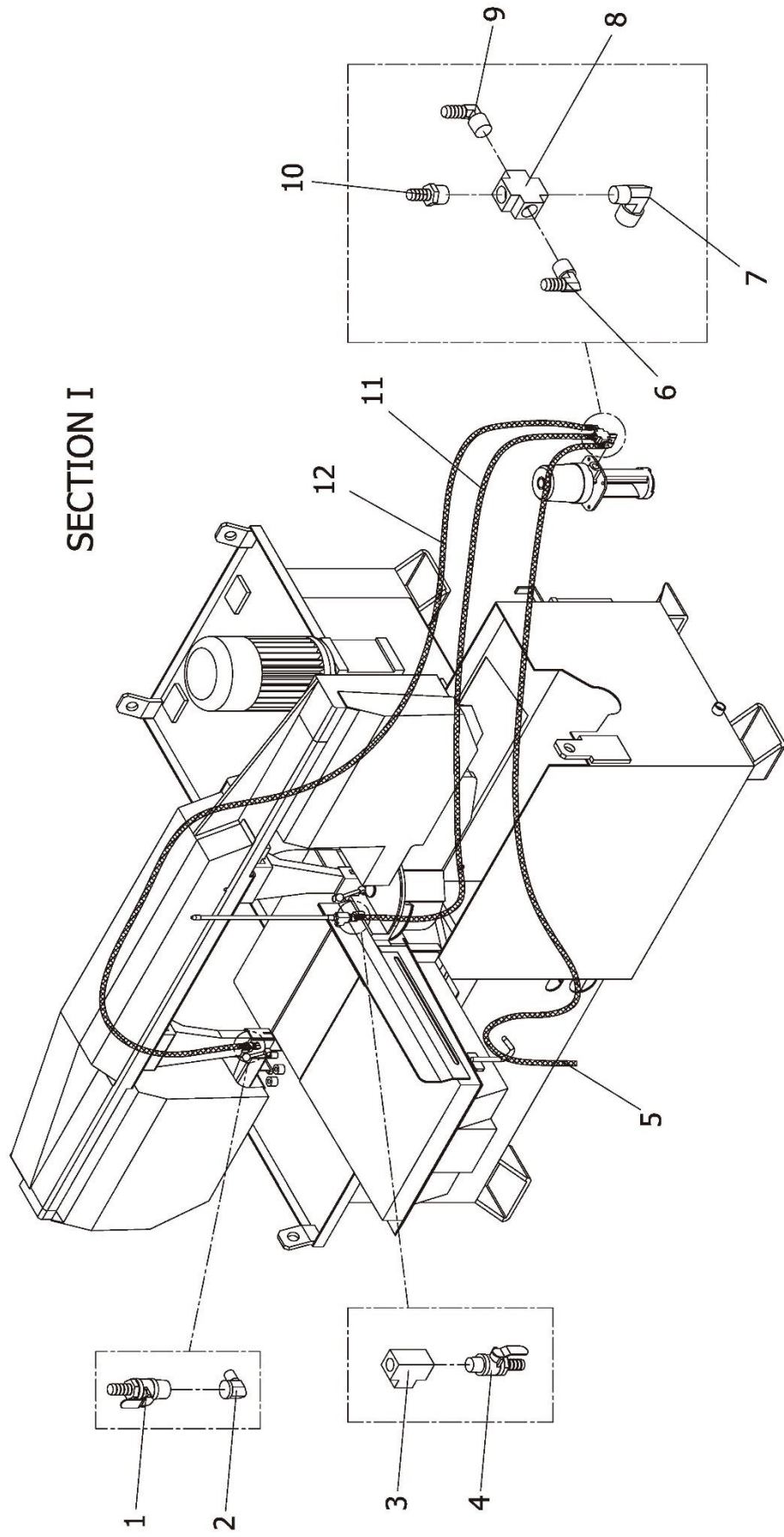


SECTION H

MBS-1318FA Swing Base Assembly

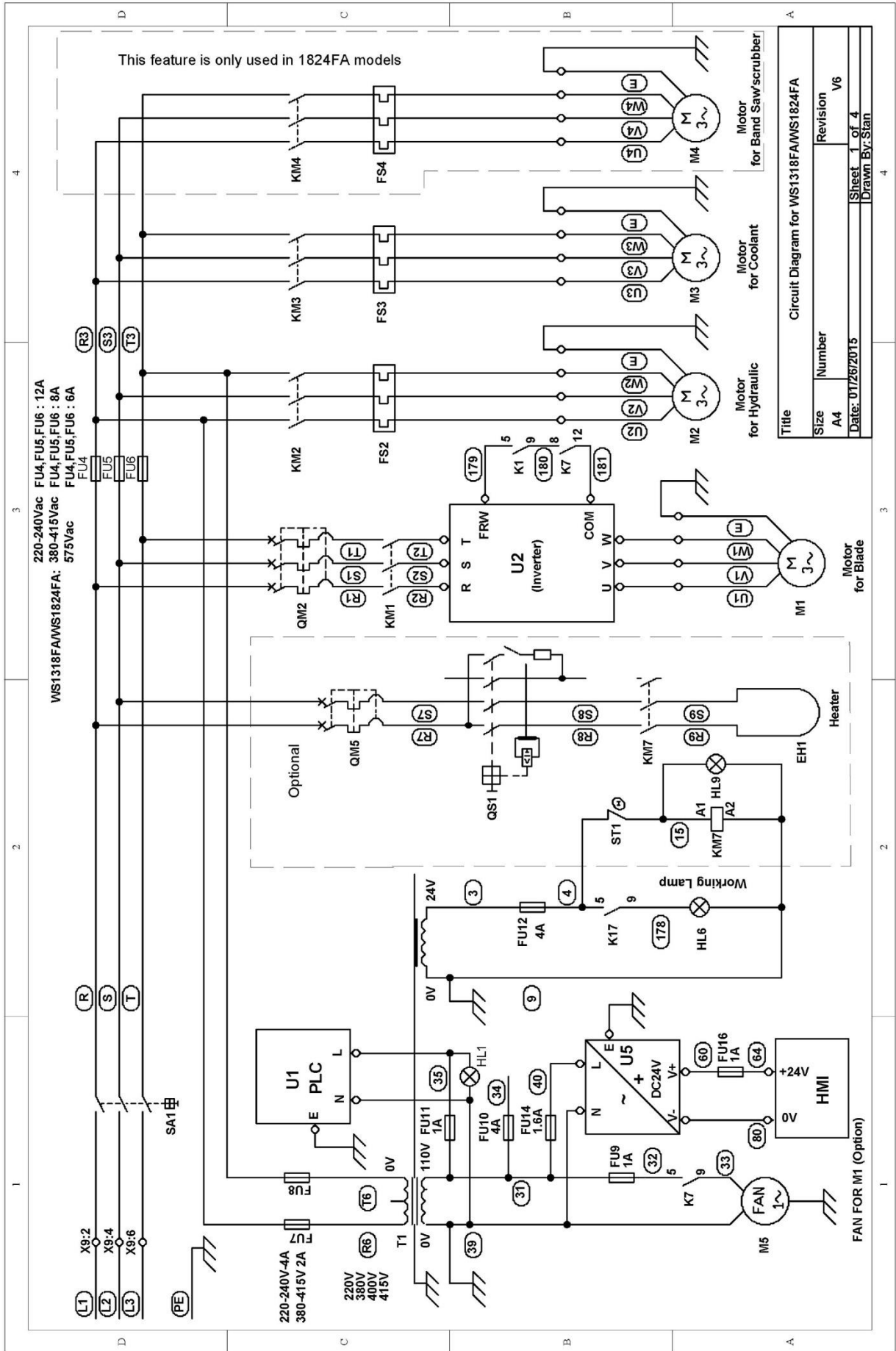
Index No.	Part No.	Description	Size	Qty
2	MBS1318FA-H2	Shaft Fixing Plate		1
3	MBS1318FA-H3	Flat Washer	5/16"	4
4	MBS1318FA-H4	Spring Washer	5/16"	4
5	MBS1318FA-H5	Hex. Soc. Cap Screw	5/16"x1"	4
6	MBS1318FA-H6	Hex. Soc. Cap Screw	5/16"x1"	4
7	MBS1318FA-H7	Spring Washer	5/16"	4
8	MBS1318FA-H8	Flat Washer	5/16"	4
10	MBS1318FA-H10	Oilless Bearing	2020	2
10-1	MBS1318FA-H10-1	Support Block		1
13-1	MBS1318FA-H13-1	Support Block		1
14	MBS1318FA-H14	Flat Washer	5/16"	4
15	MBS1318FA-H15	Spring Washer	5/16"	4
16	MBS1318FA-H16	Hex. Soc. Cap Screw	5/16"x1"	4
18	MBS1318FA-H18	Shaft Bush		1
19	MBS1318FA-H19	Flat Washer	5/16"	4
20	MBS1318FA-H20	Spring Washer	5/16"	4
21	MBS1318FA-H21	Hex. Soc. Cap Screw	5/16"x1"	4
22	MBS1318FA-H22	Hex. Soc. Cap Screw	5/16"x1"	1
23	MBS1318FA-H23	Spring Washer	5/16"	1
24	MBS1318FA-H24	Gear Shaft		1
25	MBS1318FA-H25	Set Screw	M4x4	2
26	MBS1318FA-H26	Length Gear		1
27	MBS1318FA-H27	Round Head Screw	M4x6	3
28	MBS1318FA-H28	Hex. Soc. Cap Screw	1/4"x1/2"	2
29	MBS1318FA-H29	Spring Washer	1/4"	2
30	MBS1318FA-H30	Press Plate		1
31	MBS1318FA-H31	Fixing Bracket		1
32	MBS1318FA-H32	Encoder		1
33	MBS1318FA-H33	Encoder Cover		1
34	MBS1318FA-H34	Button Head Socket Screw	1/4"x3/4"	2

MBS-1318FA Coolant System

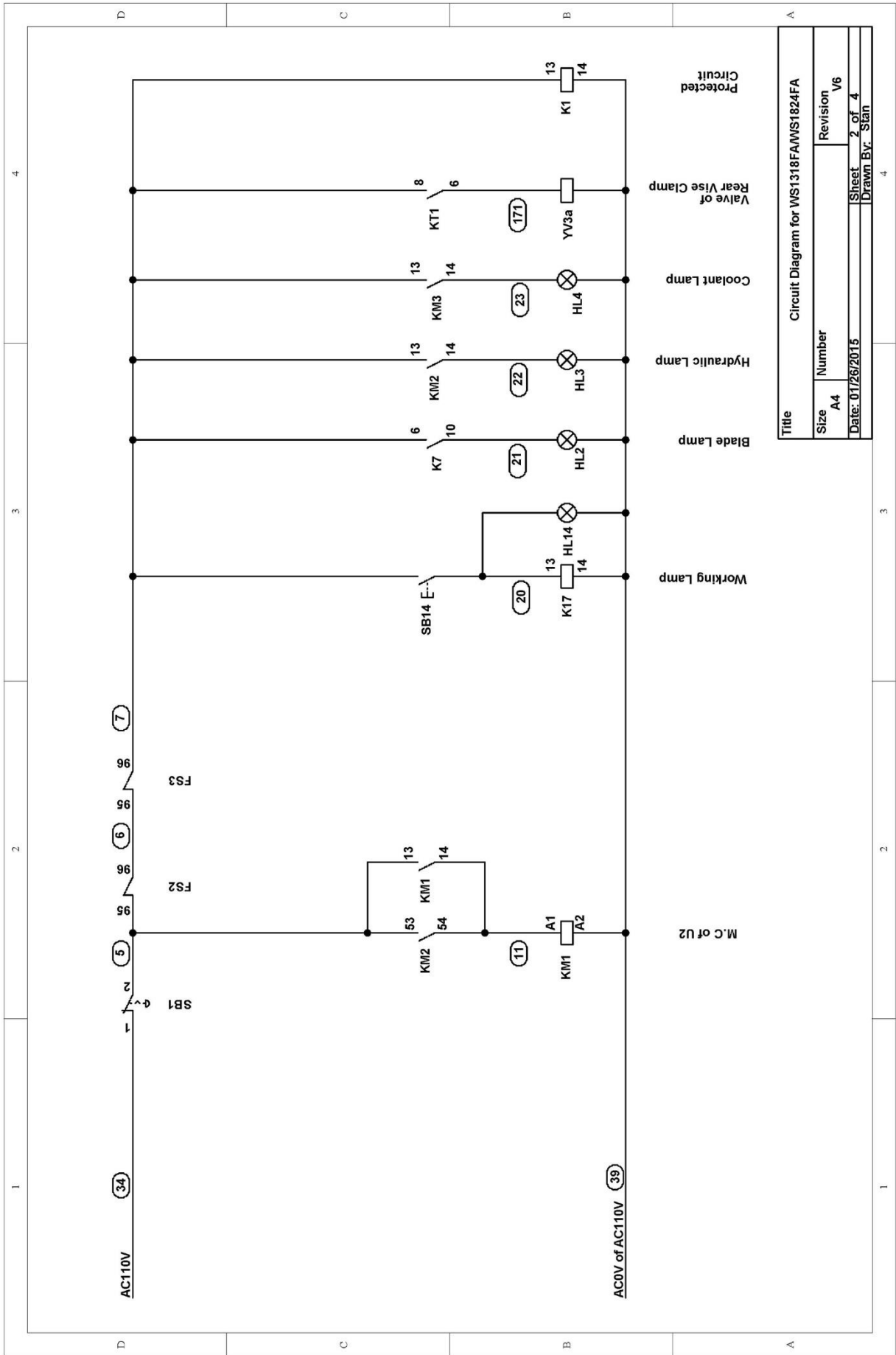


MBS-1318FA Coolant System

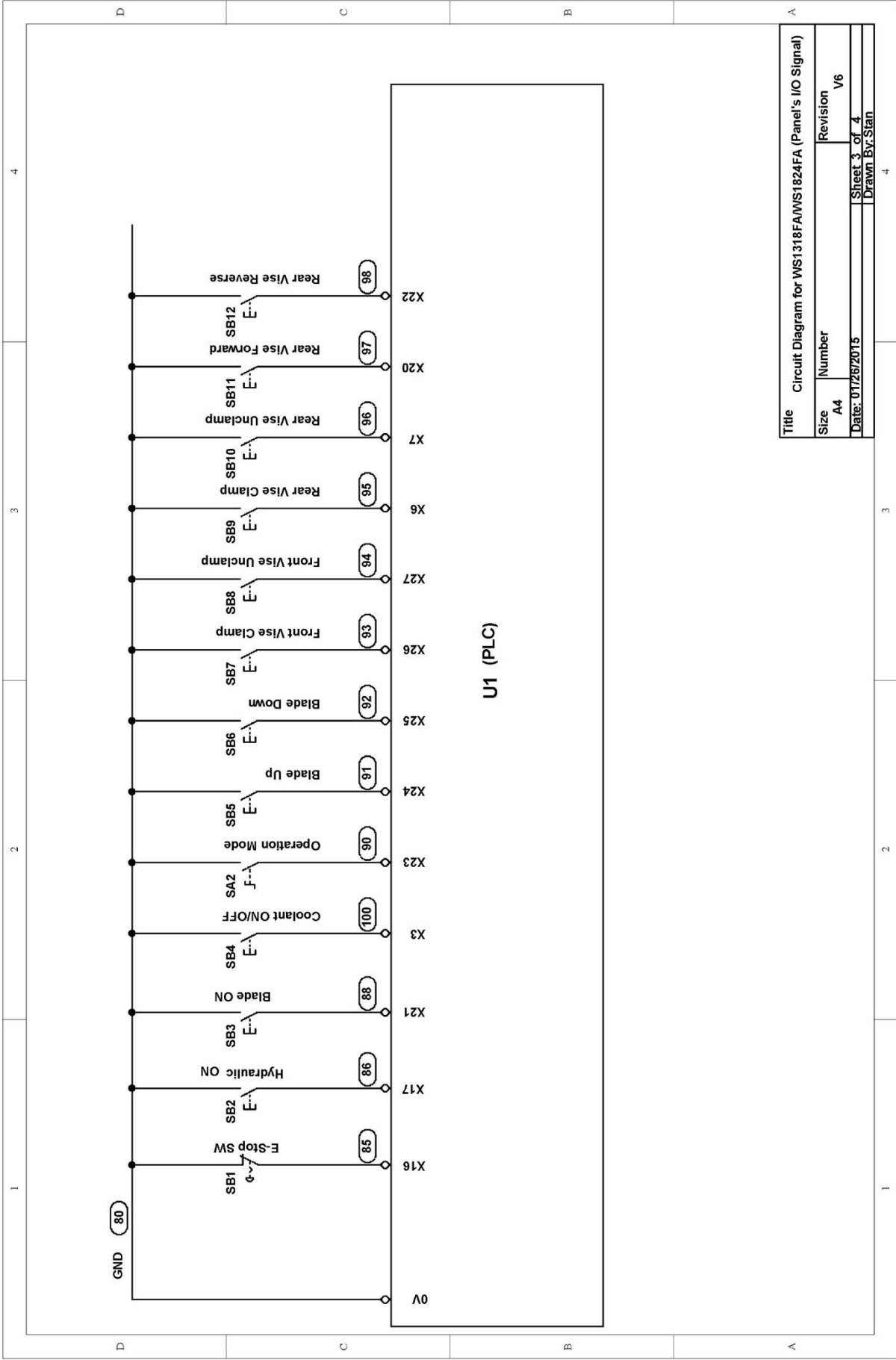
Index No.	Part No.	Description	Size	Qty
1	MBS1318FA-I1	Cock	1/8X3/8	1
2	MBS1318FA-I2	90° Fitting	1/8X1/8	1
3	MBS1318FA-I3	T- joint	1/4PT	1
4	MBS1318FA-I4	Cock	1/4X3/8	1
5	MBS1318FA-I5	Hose	3/8"X3150mm	1
6	MBS1318FA-I6	90° Elbow	3/8X3/8	1
7	MBS1318FA-I7	90° Elbow	1/2X3/8	1
8	MBS1318FA-I8	Cross Fitting	3/8PT	1
9	MBS1318FA-I9	90° Elbow	3/8X3/8	1
10	MBS1318FA-I10	Fitting	3/8X3/8	1
11	MBS1318FA-I11	Hose	3/8"X1700mm	1
12	MBS1318FA-I12	Hose	3/8"X6400mm	1



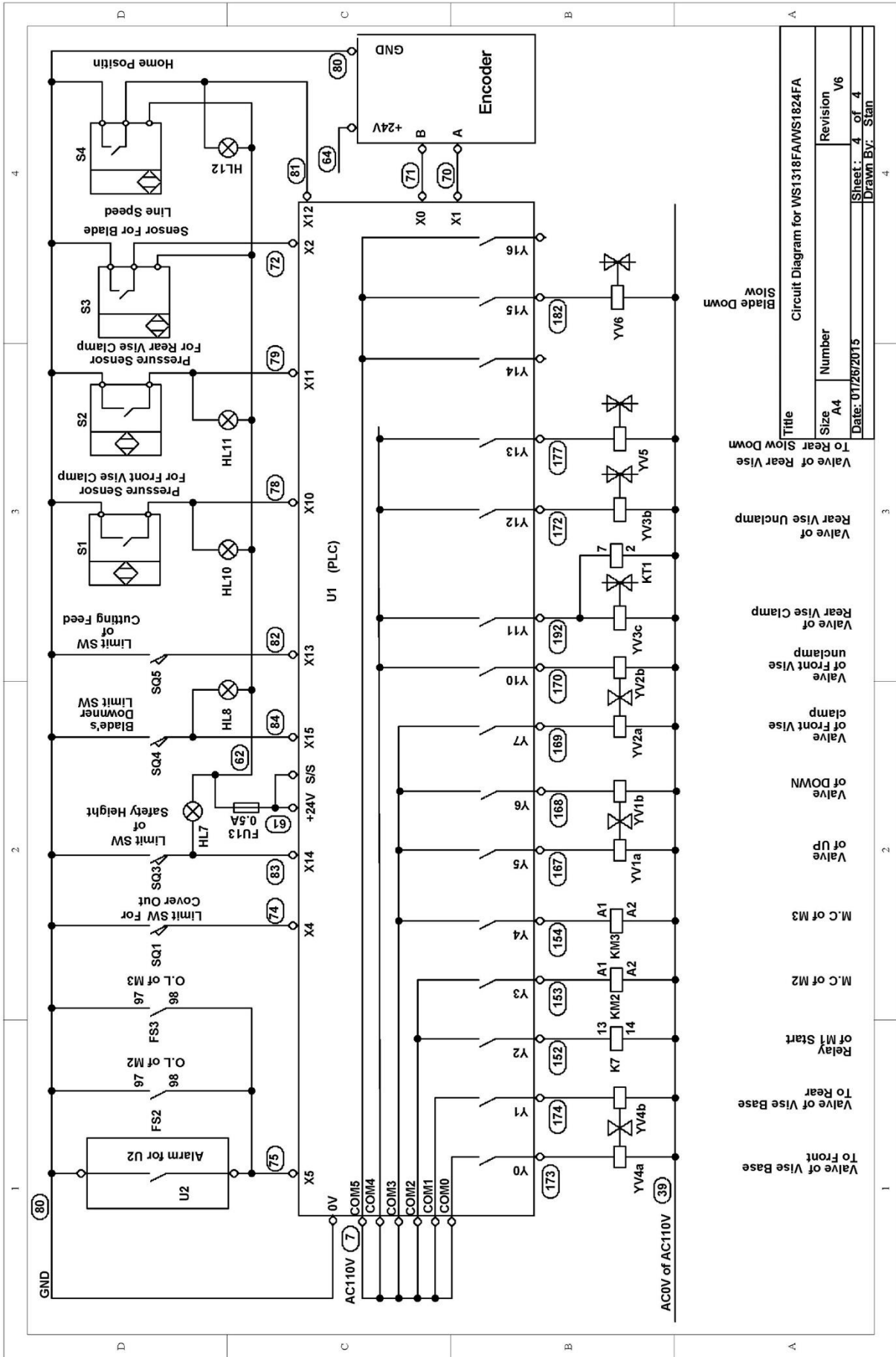
Title		Circuit Diagram for WS1318FAMWS1824FA	
Size	Number	Revision	V6
A4		Sheet 1 of 4	
Date:	01/28/2015	Drawn By:	Stan



Title		Circuit Diagram for WS1318FAWS1824FA	
Size	Number	Revision	V6
A4		Date:	01/26/2015
Sheet		2 of 4	
Drawn By:		Stan	



Title			Circuit Diagram for WS1318FAMS1824FA (Panel's I/O Signal)		
Size	Number	Revision			
A4		V6			
Date:	01/28/2015	Sheet 3 of 4	Drawn By: Stan		



Title		Circuit Diagram for WS1318FA/WS1824FA	
Size	Number	Revision	V6
A4			
Date:	01/26/2015	Sheet:	4 of 4
Drawn By:	Stan		

Hydraulic Circuit Diagram

