



**GHD-46PF**

**GHD-46PFCT**

**METALWORKING**

**Gear Head Drill Press**

**GHD-46PF-T.....50000436T...3~400V, 50Hz**

**GHD-46PFCT.....50000409T...3~400V, 50Hz**

## **PARTS LIST**

**JPW Tool Group Hong Kong Limited**

98 Granville Road, Tsimshatsui East, Kowloon, Hong Kong, PRC

[www.jettools.com](http://www.jettools.com)

**Импортер в РФ: ООО «ИТА Технолоджи»**

105082, Москва, Переведеновский пер., д. 17

[www.jettools.ru](http://www.jettools.ru)

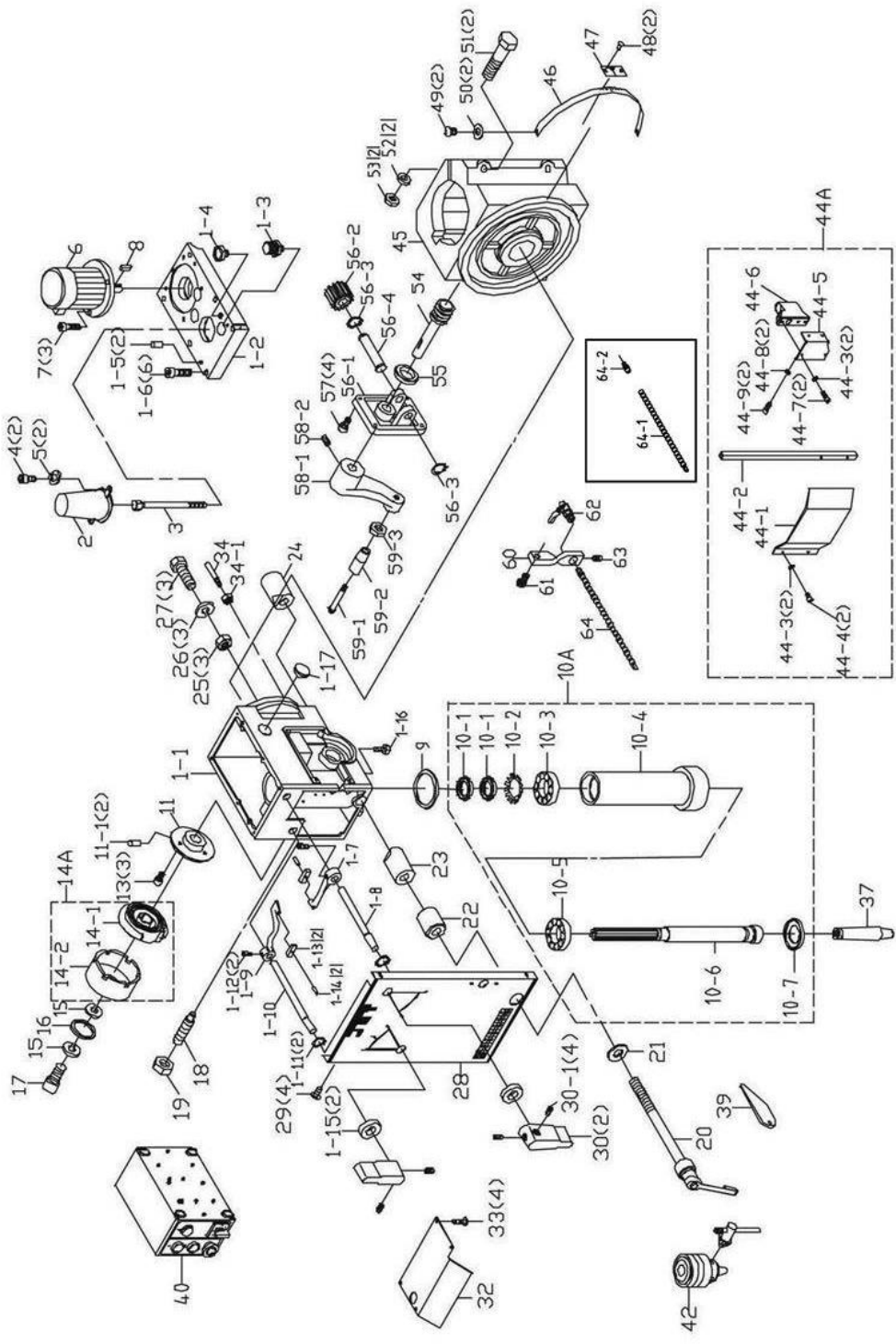
**Made in Taiwan / Сделано на Тайване**

P-50000436T / 50000409T

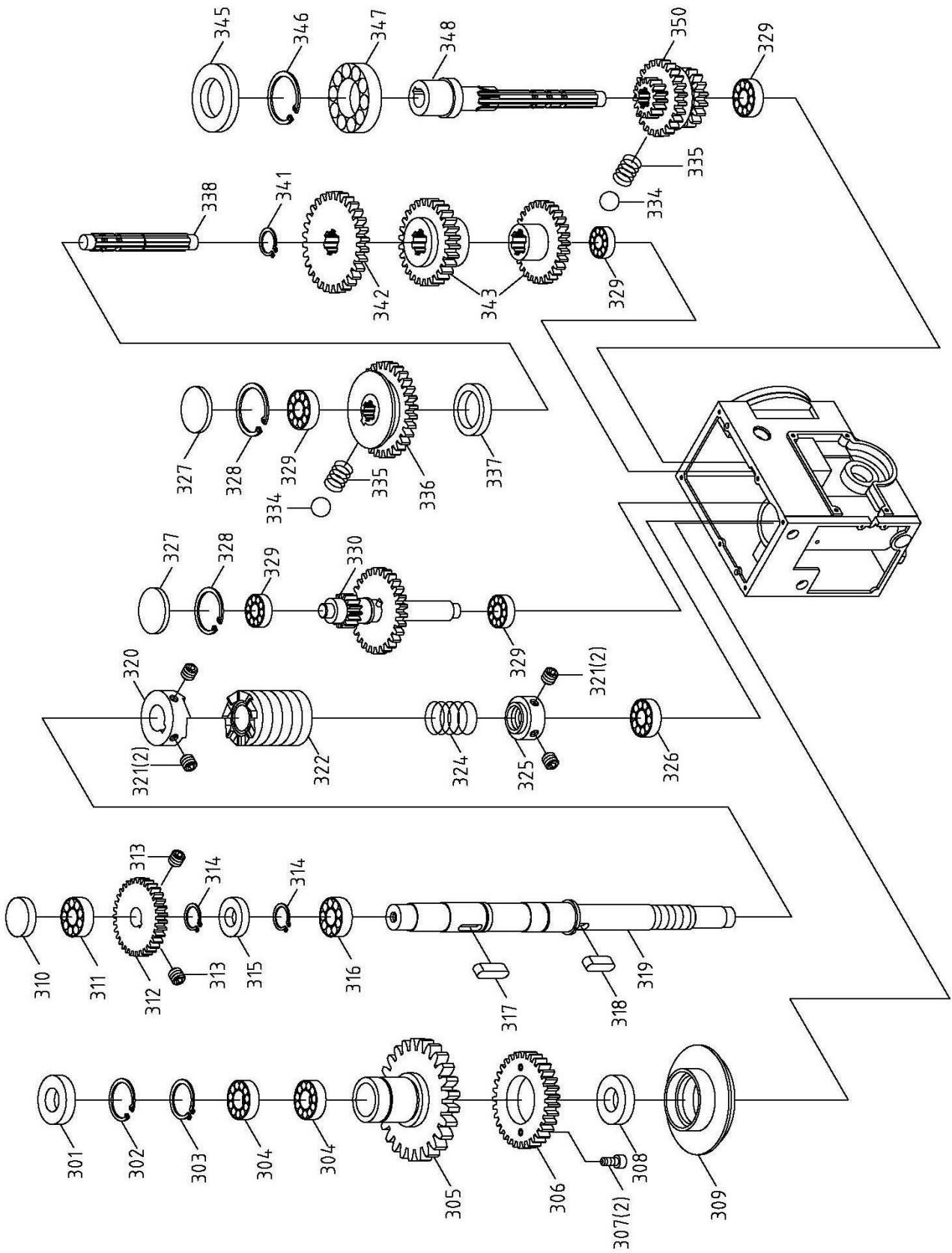


**2022-11**

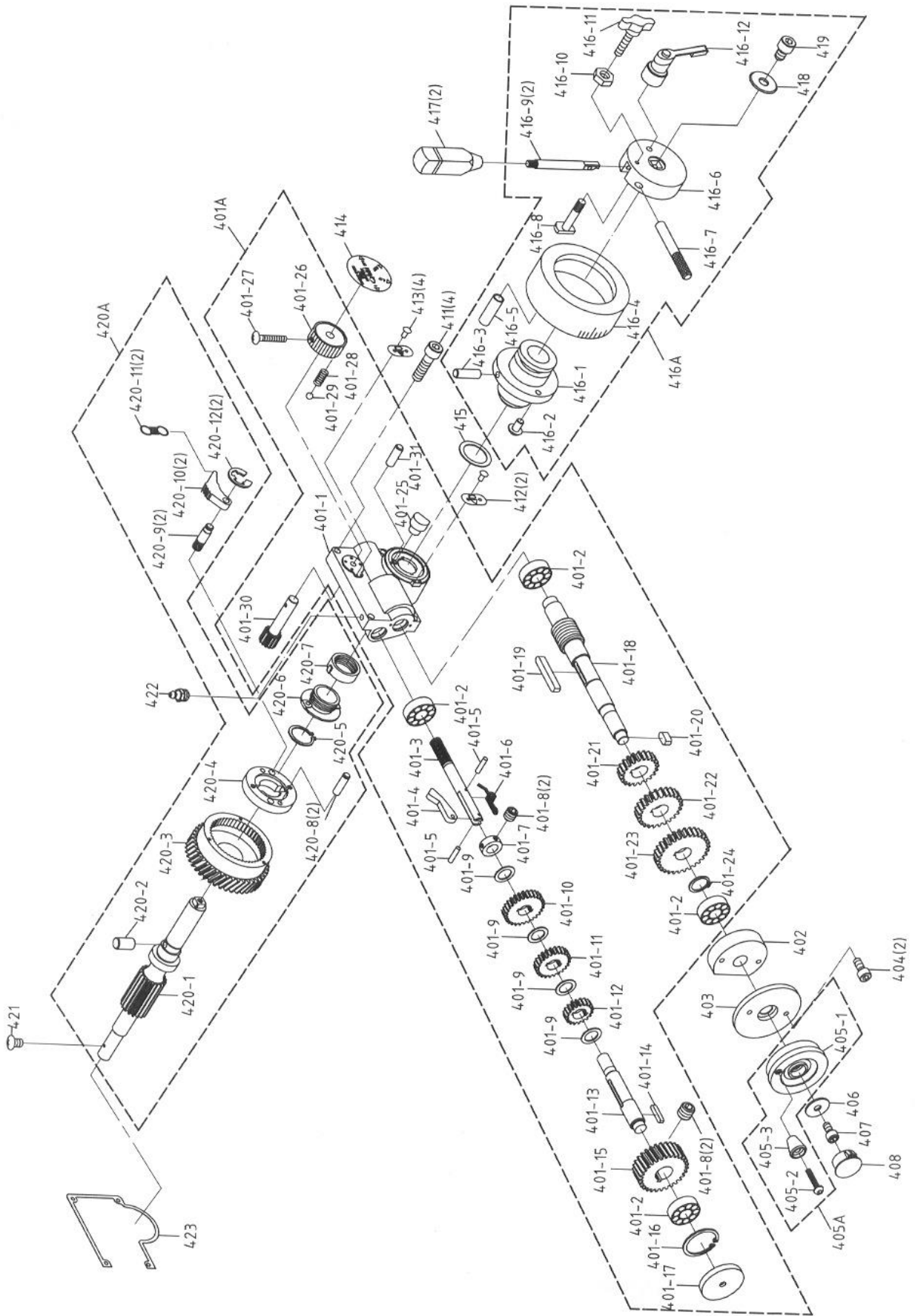
# Breakdown for the GHD-46PF Head Assembly



# Breakdown for the GHD-46PF Head Assembly



# Breakdown for the GHD-46PF Power feeds Assembly



**Parts List for the GHD-46PF  
Head Assembly**

Index No.	Part No.	Description	Size	Qty.
1A	JMD45PF-001	Head Body Set		1
1-1	JMD45PF-001-1	Head Body		1
1-2	JMD45PF-001-2	Head Body Cover		1
1-3	JMD45PF-001-3	Vent Plug		1
1-4	JMD45PF-001-4	Hex Socket Plug		1
1-5	JMD45PF-001-5	Miter Pin	ø 3/8"x2"L	2
1-6	JMD45PF-001-6	Hex. Socket Head Screw	3/8"-16UNC	6
1-7	JMD45PF-001-7	Gear Lever		1
1-8	JMD45PF-001-8	Lever Shaft		1
1-9	JMD45PF-001-9	Gear Lever		1
1-10	JMD45PF-001-10	Lever Shaft		1
1-11	JMD45PF-001-11	C-Retainer Ring		2
1-12	JMD45PF-001-12	Cross Round Head Screw	1/4"-20UNC	2
1-13	JMD45PF-001-13	Gear Lever Bracket		2
1-14	JMD45PF-001-14	Pin	ø 4x16	2
1-15	JMD45PF-001-15	Oil Seal	ø 12x ø 22x7t	2
1-16	JMD45PF-001-16	Hex Socket Plug	1/4"	1
1-17	JMD45PF-001-17	Fluid Lever Indicator	ø29	1
2	JMD45PF-002	Main Shaft Cover		1
3	JMD45PF-003E	Draw bar (Ser No.13050071 and lower)	M12	1
3	JMD46PF-003	Draw bar (Ser No.13070072 and higher)	M16	1
4	JMD45PF-004	Hex. Socket Head Screw	M4x0.7Px6	2
5	JMD45PF-005	Spring Washer	M4	2
6	GHD46PF-6AE	Motor	400V/3ph/1-1/2Hp,4P	1
7	JMD45PF-007	Hex. Socket Head Screw	3/8"-16UNC	3
8	JMD45PF-008	Key	6x6x30	1
9	JMD45PF-009	Rubber Flange		1
10A	GHD46PF-010E	Pinion Assembly(included #10-1~10-7)	MT4	1
10-1	JMD45PF-010-1	Locknuts		2
10-2	JMD45PF-010-2	Washer	AW06ø30	1
10-3	JMD45PF-010-3	Taper Roller Bearing	E30206J	1
10-4	GHD46PF-010-4	Quill(Ser No.13050071 and lower)	MT4	1
10-4	GHD46PF-010-4N	Quill(Ser No. 13070072 and higher)	MT4	1
10-5	JMD45PF-010-5	Taper Roller Bearing (Ser No.13050071 and lower)	30207J	1
10-5	GHD46PF-010-5	Taper Roller Bearing (Ser No. 13070072 and higher)	30208J	1
10-6	GHD46PF-010-6E	Spindle Shaft(Ser No.13050071 and lower)	MT4(M12)	1
10-6	GHD46PF-010-6N	Spindle Shaft(Ser No. 13070072 and higher)	MT4(M16)	1
10-7	GHD46PF-010-7E	Bearing Cap(Ser No.13050071 and lower)		1
10-7	GHD46PF-010-7N	Bearing Cap(Ser No. 13070072 and higher)		1
11	JMD45PF-011	Spring Base		1
11-1	JMD45PF-011-1	Pin	ø 3x12	2
13	JMD45PF-013	Cross Round Head Screw		3
14A	JMD45PF-014	Spring & Spring Cover Assembly		1
14-1	JMD45PF-014-1	Spring		1
14-2	JMD45PF-014-2	Spring Cover		1
15	JMD45PF-015	Spring Washer	1/4"x1"x1.5t	2
16	TS-0680021	Washer	1/4"	1
17	JMD45PF-017	Hex. Socket Head Screw	1/4"x5/8	1
18	JMD45PF-018	Screw Key	3/8"-16UNC	1
19	TS-0561031	Hex. Nut	3/8"	1
20	JMD45PF-020	Handle Rod		1
21	JMD45PF-021	Washer	1/2"x7/8"x2t	1
22	JMD45PF-022	Fixed Tight Collar		1
23	JMD45PF-023	Fixed Tight Collar		1
24	JMD45PF-024	Fixed Tight Collar		1

Index No.	Part No.	Description	Size	Qty.
25.....	JMD45PF-025.....	Nut.....	5/8"-11UNC.....	3
26.....	TS-0680081.....	Washer.....	5/8".....	3
27.....	JMD45PF-027.....	Fixed Bolt.....		3
28.....	GHD46PF-028.....	Name Plate.....		1
28-1.....	GHD-260PF-028-1.....	Name Plate( Tapping function only).....		1
29.....	JMD45PF-029.....	Cross Round Head Screw.....	3/16"-24UNC.....	4
30.....	JMD45PF-030.....	Speed Lever.....		2
30-1.....	JMD45PF-030-1.....	Socket Set Screw.....	5/16"x5/16".....	4
32.....	JMD45PF-032.....	Dust Plate.....		1
33.....	JMD45PF-033.....	Cross Round Head Screw.....	3/16"-24UNC.....	4
34.....	JMD45PF-034.....	Miter Pin.....	M6x ø7.....	1
34-1.....	JMD45PF-034-1.....	Hexagon Nut.....	M6.....	1
37.....	JMD45PF-037E.....	Chuck Arbor.....	MT4 M12xP1.75 B16.....	1
39.....	GHD46PF-039.....	Punch Key.....		1
40.....	GHD46PF-040.....	Switch Box( without Tapping function).....		1
40-1.....	GHD260PF-040-1.....	Switch Box( with Tapping function).....		1
42.....	JMD18-113E.....	Chuck(option).....	B16.....	1
44A.....	JMD45PF-044.....	Chuck Guard Assembly.....		1
44-1.....	JMD45PF-044-1.....	Chuck Guard.....		1
44-2.....	JMD45PF-044--.....	Chuck Guard Supporting Rod.....		1
44-3.....	JMD45PF-044-3.....	Spring Washer.....	M5.....	4
44-4.....	JMD45PF-044-4.....	Hex. Socket Head Screw.....	M5x10.....	2
44-5.....	JMD45PF-044-5.....	Chuck Guard Bracket.....		1
44-6.....	JMD45PF-044-6.....	Rotary Supporting Base.....		1
44-7.....	JMD45PF-044-7.....	Hex. Socket Head Screw.....	M5x15L.....	2
44-8.....	JMD45PF-044-8.....	Spring Washer.....	M6.....	2
44-9.....	JMD45PF-044-9.....	Hex. Socket Head Screw.....	M6x15L.....	2
45.....	GHD46PF-45.....	Toraise And Lower Body.....		1
46.....	GHD46PF-46.....	Degree-Meter.....		1
47.....	GHD46PF-47.....	Index.....		1
48.....	GHD46PF-48.....	Rivet.....	Ø2.....	2
49.....	GHD46PF-49.....	Cross Round Head Screw.....	3/16"-24UNCx3/8"L.....	2
50.....	GHD46PF-50.....	Washer.....	5/8".....	2
51.....	GHD46PF-51.....	Fixed Bolt.....	5/8"-11UNCx5-1/2"L.....	2
52.....	GHD46PF-52.....	Washer.....	5/8".....	2
53.....	GHD46PF-53.....	Hex. Nut.....	5/8"-11UNC.....	2
54.....	GHD46PF-54.....	Worm Shaft.....		1
55.....	GHD46PF-55.....	Bushing.....		1
56S.....	GHD46PF-56S.....	Head Raise Bracket Assembly.....		1
56-1.....	GHD46PF-56-1.....	Head Raise Bracket.....		1
56-2.....	GHD46PF-56-2.....	Worm Gear.....		1
56-3.....	GHD46PF-56-3.....	C-Retainer Ring.....	S14.....	2
56-4.....	GHD46PF-56-4.....	Worm Shaft.....	Ø9/16"x64.3L.....	1
57.....	GHD46PF-57.....	Hex. Socket Head Screw.....	1/4"x3/4"L.....	4
58S.....	GHD46PF-58S.....	Head Handle Assembly.....		1
58-1.....	GHD46PF-58-1.....	Head Handle.....		1
58-2.....	GHD46PF-58-2.....	Hex. Socket Headless Screw.....	3/8"x1/2"L.....	1
59S.....	GHD46PF-59S.....	Clamp Handle Assembly.....		1
59-1.....	GHD46PF-59-1.....	Hex. Socket Head Screw.....	3/8"-16UNCx3-1/2"L.....	1
59-2.....	GHD46PF-59-2.....	Knob.....		1
59-3.....	GHD46PF-59-3.....	Hex. Nut.....	3/8"-16UNC.....	1
60.....	GHD46PF-60.....	Nozzle Cock Support.....		1
61.....	GHD46PF-61.....	Hex. Socket Head Screw.....	M8x16L.....	1
62.....	GHD46PF-62.....	Valve.....	1/4".....	1
63.....	GHD46PF-63.....	Hex. Socket Headless Screw.....	M6x8L.....	1
64.....	GHD46PF-64.....	Jet Nozzle.....	1/4".....	1
64-1.....	GHD46PF-64-1.....	Jet Nozzle Tube.....	1/4".....	1
64-2.....	GHD46PF-64-2.....	Jet Nozzle Joint.....	1/4".....	1

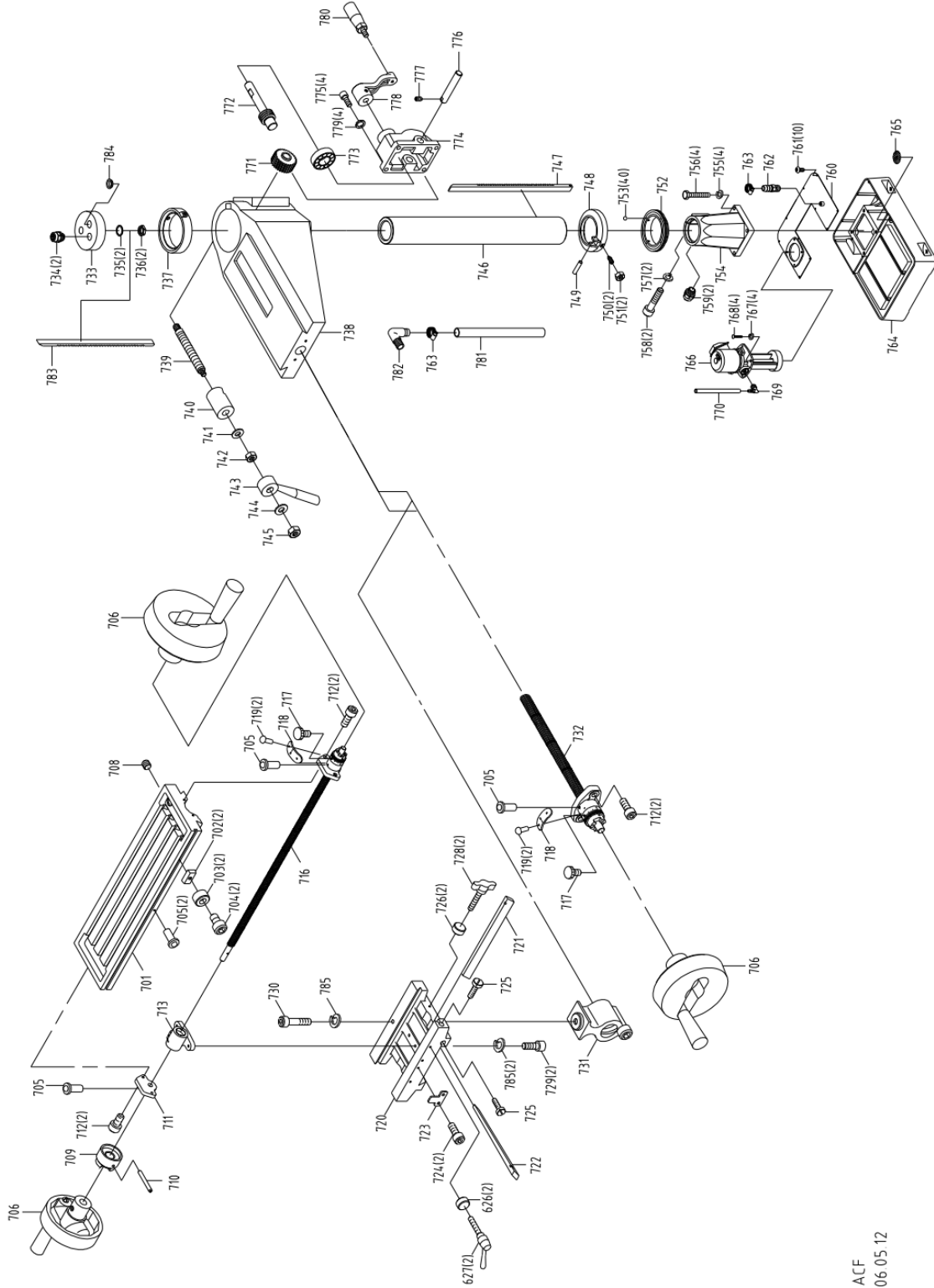
Index No.	Part No.	Description	Size	Qty.
65.....	GHD-46PF-65.....	Feed Base ( Tapping function only ) .....		1
66S .....	GHD-260PF-66S.....	Graduated Rod Set (included#66-1-66-5) (Tapping function only) .....		1
66-1.....	GHD-46PF-66-1.....	Knob .....		1
66-2.....	GHD-46PF-66-2.....	Pin .....	Ø4x20L	1
66-3.....	GHD-46PF-66-3.....	Hex. Socket Headless Screw.....	M4x8L	1
66-4.....	GHD-46PF-66-4.....	Screw Support.....		1
66-5.....	GHD-46PF-66-5.....	Graduated Rod.....	TW12-10 牙-2A	1
67.....	GHD-260PF-67.....	Nut (Tapping function only).....		1
68.....	GHD-260PF-68.....	Hex. Head Screw (Tapping function only) .....	1/4"x2"L	1
69.....	GHD-260PF-69.....	Hex. Nut (Tapping function only).....	1/4"	1
70.....	GHD-260PF-70.....	Position Set Bracket (Tapping function only) .....		1
71.....	GHD-260PF-71.....	Limit Plate (Tapping function only).....		1
72.....	GHD-260PF-72.....	Washer (Tapping function only) .....	1/8"	1
73.....	GHD-260PF-73.....	Cross Round Head Screw (Tapping function only).....	1/8"x1/4"L	1
74.....	GHD-260PF-74.....	Micro Switch Bracket (Tapping function only).....		1
75.....	GHD-260PF-75.....	Cross Round Head Screw (Tapping function only).....	3/16"x3/8"	4
76.....	GHD-260PF-76.....	Limit Switch (Tapping function only).....	V-15FL2-1B	2
77.....	GHD-260PF-77.....	Cross Round Head Screw (Tapping function only).....	M3x15L	4
78.....	GHD-260PF-78.....	Micro Switch Bracket (Tapping function only).....		1
301 .....	JMD45PF-301.....	Oil Seal .....	ø 40x ø 68x8t	1
302 .....	JMD45PF-303.....	C-Retainer Ring.....	R68	1
303 .....	JMD45PF-304.....	C-Retainer Ring.....	S40	1
304 .....	BB-6008Z .....	Ball Bearing.....	6008ZZ	2
305 .....	JMD45PF-306.....	Gear.....	35T	1
306 .....	JMD45PF-306.....	Gear.....	15T	1
307 .....	JMD45PF-307.....	Hex. Socket Head Screw.....	M5x12	2
308 .....	JMD45PF-308.....	Oil Sea .....	ø 35x ø 45x8t	1
309 .....	JMD45PF-309.....	Oil Seal Ring .....		1
310 .....	JMD45PF-310.....	Dust Cover .....	ø 35.....	1
311 .....	BB-6202Z .....	Ball Bearing.....	6202ZZ	1
312 .....	JMD45PF-312.....	Gear.....		1
313 .....	JMD45PF-313.....	Socket Set Screw .....	M6x6.....	2
314 .....	JMD45PF-314.....	C-Retainer ring.....	S17	2
315 .....	JMD45PF-315.....	Oil Seal .....	ø 17x ø 35x8t	1
316 .....	BB-6003ZZ .....	Ball Bearing.....	6003ZZ	1
317 .....	JMD45PF-317.....	Key .....	5x5x16	1
318 .....	JMD45PF-318.....	Key .....	5x5x10	1
319 .....	JMD45PF-319.....	Transmission Worm.....		1
320 .....	JMD45PF-320.....	Clutch Block .....		1
321 .....	JMD45PF-321.....	Socket Set Screw .....	M5x5.....	4
322 .....	JMD45PF-322.....	Worm Shaft.....		1
324 .....	JMD45PF-324.....	Spring .....		1
325 .....	JMD45PF-325.....	Nut .....		1
326 .....	BB-6001Z .....	Ball Bearing.....	6001ZZ	1
327 .....	JMD45PF-327.....	Dust Cover .....	ø 35.....	2
328 .....	JMD45PF-328.....	C-Retainer ring.....	R35	2
329 .....	BB-6002Z .....	Ball Bearing.....	6002ZZ	5
330 .....	JMD45PF-330.....	Gear Shaft w/ Gear .....	15/41T.....	1
333 .....	JMD45PF-333.....	C-Retainer Ring.....	S22	1
334 .....	JMD45PF-334.....	Steel Ball.....	ø 5/16"	3
335 .....	JMD45PF-335.....	Spring .....	ø 0.8x7	3
336 .....	JMD45PF-336.....	Gear Set.....	35T	1
337 .....	JMD45PF-337.....	Bushing.....		1
338 .....	JMD45PF-338.....	Gear Shaft.....		1
341 .....	JMD45PF-341.....	C-Retainer Ring.....	S18	1
342 .....	JMD45PF-342.....	Gear.....	42T	1
343 .....	JMD45PF-343.....	Gear.....	44/28T	1
345 .....	JMD45PF-345.....	Oil Seal .....	ø 35x ø 62x8t	1
346 .....	JMD45PF-346.....	C-Retainer Ring.....	R62	1
347 .....	BB-6007Z .....	Ball Bearing.....	6007ZZ	1

Index No.	Part No.	Description	Size	Qty
348	JMD45PF-348	Gear Shaft		1
350	JMD45PF-350	Gear Set		1
401A	JMD45PF-401	Gear Box Assembly		1
401-1	JMD45PF-401-1	Gear Box		1
401-2	BB-6003Z	Bearing	6003ZZ	4
401-3	JMD45PF-401-3	Change Gear Lever		1
401-4	JMD45PF-401-4	Speed-Changing Key		1
401-5	JMD45PF-401-5	Pin	ø 3x10	2
401-6	JMD45PF-401-6	Twisted Spring		1
401-7	JMD45PF-401-7	Bushing Bracket		1
401-8	JMD45PF-401-8	Socket Set Screw	M6x6	4
401-9	JMD45PF-401-9	Bushing		4
401-10	JMD45PF-401-10	Gear	ø27	1
401-11	JMD45PF-401-11	Gear		1
401-12	JMD45PF-401-12	Gear		1
401-13	JMD45PF-401-13	Worm Shaft		1
401-14	JMD45PF-401-14	Key	5x5x28	1
401-15	JMD45PF-401-15	Worm Gear		1
401-16	JMD45PF-401-16	C-Retainer ring	R35	1
401-17	JMD45PF-401-17	Cover		1
401-18	JMD45PF-401-18	Transmission Worm Shaft		1
401-19	JMD45PF-401-19	Key	5x5x32	1
401-20	JMD45PF-401-20	Key	4x4x10	1
401-21	JMD45PF-401-21	Gear		1
401-22	JMD45PF-401-22	Gear		1
401-23	JMD45PF-401-23	Gear		1
401-24	JMD45PF-401-24	C-Retainer ring	S19	1
401-25	JMD45PF-401-25	Release Block		1
401-26	JMD45PF-401-26	Speed Lever		1
401-27	JMD45PF-401-27	Cross Round Head Screw	M4x0.7x25	1
401-28	JMD45PF-401-28	Spring		1
401-29	JMD45PF-401-29	Steel Ball	5/16"	1
401-30	JMD45PF-401-30	Gear Shaft		1
401-31	JMD45PF-401-31	Pin		1
402	JMD45PF-402	Bearing Spacer		1
403	JMD45PF-403	Graduated Bottom Plate		1
404	JMD45PF-404	Hex. Socket Head Screw	M5x30	2
405A	JMD45PF-405	Handwheel Assembly		1
405-1	JMD45PF-405-1	Wheel		1
405-2	JMD45PF-405-2	Screw	5/16"	1
405-3	JMD45PF-405-3	Knob		1
406	JMD45PF-406	Washer	M6	1
407	JMD45PF-407	Hex. Socket Head Screw	M6x12	1
408	JMD45PF-408	Plug	7/8"	1
411	JMD45PF-411	Hex. Socket Head Screw	5/16"x1-1/4"	4
412	JMD45PF-412	Scale		2
413	JMD45PF-413	Rivet	ø 2x4	4
414	JMD45PF-414	Speed Scale		1
415	JMD45PF-415	Washer		1
416A	JMD45PF-416	Clutch Bushing Set		1
416-1	JMD45PF-416-1	Clutch Bushing		1
416-2	JMD45PF-416-2	Bushing Stop		1
416-3	JMD45PF-416-3	Bushing Pin		1
416-4	JMD45PF-416-4	Scale Base		1
416-5	JMD45PF-416-5	Pin	ø 5	1
416-6	JMD45PF-416-6	Handle Body		1
416-7	JMD45PF-416-7	Handle Rod Pin		2
416-8	JMD45PF-416-8	Scale Base Set Screw		1



Index No	Part No.	Description	Size	Qty.
416-9...	JMD45PF-416-9	Knob W/Shaft		2
416-10..	TS-0561021	Hex. Nut	5/16"	1
416-11..	JMD45PF-416-11	T Screw	5/16"x3/4"	1
416-12..	JMD45PF-416-12	Graduated Base Fixed Grip		1
417.....	JMD45PF-417	Plastic Round Knob		2
418.....	JMD45PF-418	Washer	M8x23x2t	1
419.....	JMD45PF-419	Hex. Socket Head Screw	M8x12	1
420A ...	JMD45PF-420	Pinion Shaft Set		1
420-1...	JMD45PF-420-1	Pinion Shaft		1
420-2...	JMD45PF-420-2	Key		2
420-3...	JMD45PF-420-3	Worm Gear		1
420-4...	JMD45PF-420-4	Clutch Key Base		1
420-5...	JMD45PF-420-5	C-Retainer ring	S25	1
420-6...	JMD45PF-420-6	Clutch Screw		1
420-7...	JMD45PF-420-7	Clutch Nut		1
420-8...	JMD45PF-420-8	Spring Pin		2
420-9...	JMD45PF-420-9	Clutch Key Pin		2
420-10..	JMD45PF-420-10	Clutch Key		2
420-11..	JMD45PF-420-11	Spring		2
420-12..	JMD45PF-420-12	E-Ring		2
421.....	JMD45PF-421	Flat Cross Head Screw	3/16"x3/8"	1
422.....	JMD45PF-422	Oil Nozzle	1/8"	1
423.....	JMD45PF-423	Rubber Plate		1

## Breakdown for GHD-46PFCT Table, Column and base Assembly



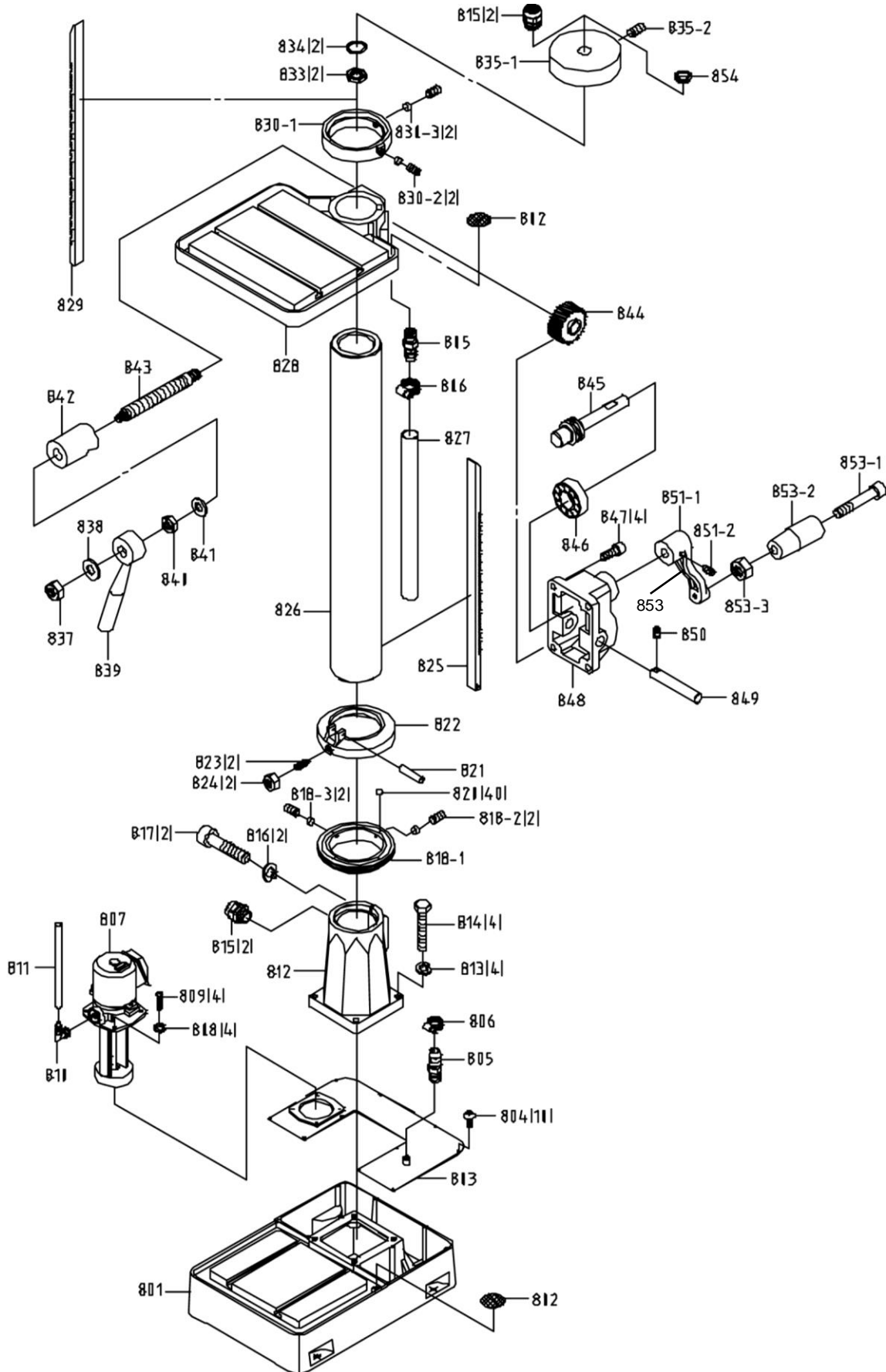
ACF  
06.05.12

**Parts List for the GHD-46PFCT  
Table, Column and base Assembly**

<b>Index No.</b>	<b>Part No.</b>	<b>Description</b>	<b>Size</b>	<b>Qty.</b>
764.....	GHD46PF-801.....	Swivel Base.....		1
765.....	GHD46PF-802.....	Filter.....	Ø36.....	2
760.....	GHD46PF-803.....	Coolant Pump Cover.....		1
761.....	GHD46PF-804.....	Round Head Screw.....	M5x10L.....	10
762.....	GHD46PF-805.....	Pipe Connector.....	PT3/8"x1/2L.....	2
763.....	GHD46PF-806.....	Binder.....	5/8".....	2
766.....	GHD46PF-807AE.....	Coolant Pump.....	1/8HP 400v 3PH.....	1
767.....	GHD46PF-808.....	Spring Washer.....	1/4".....	4
768.....	GHD46PF-809.....	Cross Round Head Screw.....	1/4"x1/2"L.....	4
769.....	GHD46PF-810.....	Angle Valve.....	3/8".....	1
770.....	GHD46PF-811.....	Hose.....	3/8"x1100L.....	1
754.....	GHD46PF-812.....	Column Base.....		1
755.....	GHD46PF-813.....	Spring Washer.....	M16.....	4
756.....	GHD46PF-814.....	Hex. Head Screw.....	M16x60L.....	4
734.....	GHD46PF-815.....	Cable Setting Nut.....	PG13.5.....	2
757.....	GHD46PF-816.....	Spring Washer.....	M16.....	2
758.....	GHD46PF-817.....	Hex. Socket Head Screw.....	M16x60L.....	2
759.....	GHD46PF-815.....	Cable Setting Nut.....	PG13.5.....	2
818S ..	GHD46PF-818S.....	Bearing Cover (Lower) Set.....		1
752.....	GHD46PF-818-1.....	Bearing Cover (Lower).....		1
753.....	GHD46PF-820.....	Stddl Ball.....	3/8".....	40
749.....	GHD46PF-821.....	Pin.....	Ø5x40L.....	1
748.....	GHD46PF-822.....	Bearing Cover.....		1
750.....	GHD46PF-823.....	Fiexed Screw.....		2
751.....	GHD46PF-824.....	Hex. Nut.....	5/16".....	2
747.....	GHD46PF-825.....	Rack.....		1
746.....	GHD46PF-826.....	Column Base.....		1
781.....	GHD46PF-827.....	Hose.....	1/2"X1650L.....	1
783.....	GHD46PF-829.....	Rack.....		1
737.....	GHD46PF-830-1.....	Head Body Base.....		1
736.....	GHD46PF-833.....	Cable Setting Screw.....	PG-11.....	2
735.....	GHD46PF-834.....	Spindle Shaft.....		2
835S ..	GHD46PF-835S.....	Column Head Set(included#733 and GHD46PF#835-2).....		1
733.....	GHD46PF-835-1.....	Column Head.....		1
835-2..	GHD46PF-835-2.....	Hex. Socker Headless Screw.....	5/16"x5/16"L.....	1
745.....	GHD46PF-837.....	Hex. Nut.....	3/8".....	1
744.....	GHD46PF-838.....	Washer.....	3/8".....	1
743.....	GHD46PF-839.....	Leaf Plum Handle.....		1
742.....	GHD46PF-840.....	Hex. Nut.....	5/8".....	1
741.....	GHD46PF-841.....	Washer.....	5/8".....	1
740.....	GHD46PF-842.....	Lock Block.....		1
739.....	GHD46PF-843.....	Lock Bolt.....		1
771.....	GHD46PF-844.....	Worm Gear.....		1
772.....	GHD46PF-845.....	Worm Shaft.....		1
773.....	GHD46PF-846.....	Bearing.....	51103.....	1
775.....	GHD46PF-847.....	Hex. Socket Head Screw.....	5/16"x1"L.....	4
774.....	GHD46PF-848.....	Head Raise Bracket.....		1
776.....	GHD46PF-849.....	Worm Shaft.....		1
777.....	GHD46PF-850.....	Hex. Socker Headless Screw.....	1/4"x3/8"L.....	1
778.....	GHD46PF-58S.....	Head Handle Set.....		1
779.....	GHD46PFCT-779.....	Spring Washer.....		1
784.....	GHD46PFCT-784.....	Spindle Shaft.....		1
780.....	GHD46PFCT-59S.....	Clamp Handle Set.....		1
853-1..	GHD46PF-59-1.....	Hex. Socket Head Screw.....	3/8"16UNCx3-1/2"L ..	1
853-2..	GHD46PF-59-2.....	Knob.....		1
853-3..	GHD46PF-59-3.....	Hex. Nut.....	3/8".....	1

Index No.	Part No.	Description	Size	Qty.
701.....	GHD46PFCT-701	Table.....		1
702.....	GHD46PFCT-702	Fixed Block.....		2
703.....	GHD46PFCT-703	Movable Fixed Ring.....		2
704.....	GHD46PFCT-704	Hex. Socket Head Screw.....	1/4"x1/2"L.....	2
705.....	GHD46PFCT-705	Oil Ball.....	1/4".....	5
706.....	GHD46PFCT-706	Table Handle Wheel Set.....		3
708.....	GHD46PFCT-708	Plug.....	PT1/4"x3/8"L.....	1
709.....	GHD46PFCT-709	Table Clutch.....	Ø17.....	1
710.....	GHD46PFCT-710	Pin.....	Ø5x38L.....	1
711.....	GHD46PFCT-711	Left Flange.....	Ø17.....	1
712.....	GHD46PFCT-712	Hex. Socket Head Screw.....	5/16"x3/4"L.....	6
713.....	GHD46PFCT-713	Table Nut.....	TM23.7xP2.5.....	1
716.....	GHD46PFCT-716	Table Screw.....	Metric.....	1
717.....	GHD46PFCT-717	Link Screw.....		2
718.....	GHD46PFCT-718	Limit Plate.....		2
719.....	GHD46PFCT-719	Rivet.....	Ø2.....	4
720.....	GHD46PFCT-720	Center Base.....		1
721.....	GHD46PFCT-721	Gib Strip.....		1
722.....	GHD46PFCT-722	Gib Strip.....		1
723.....	GHD46PFCT-723	Movable Fixed Block.....		1
724.....	GHD46PFCT-724	Hex. Socket Head Screw.....	5/16"x3/4"L.....	2
725.....	GHD46PFCT-725	Gib Strip Bolt.....	5/16-18UNC(AL).....	2
726.....	GHD46PFCT-726	Bushing.....		4
727.....	GHD46PFCT-727	Grip.....	5/16-18UNC.....	2
728.....	GHD46PFCT-728	Thumb Screw.....		2
729.....	GHD46PFCT-729	Hex. Socket Head Screw.....	5/16"x1"L.....	2
730.....	GHD46PFCT-730	Hex. Socket Head Screw.....	5/16"x2-1/4"L.....	1
731.....	GHD46PFCT-731	Acme Nut Asbly.....	Metric.....	1
732.....	GHD46PFCT-732	Acme Screw Asbly.....	Metric.....	1
733.....	GHD46PFCT-733	Column Head Set.....		1
734.....	GHD46PFCT-734	Cable-Gland.....	PG13.5.....	2
735.....	GHD46PFCT-735	Spindle Shaft.....		2
736.....	GHD46PFCT-736	Cable Setting Screw.....	PG-11.....	2
737.....	GHD46PFCT-737	Head Body Base Set.....		1
738.....	GHD46PFCT-738	Base.....		1
782.....	GHD46PFCT-782	Pipe Connector.....	90°1/2PTx3/4".....	1

## Breakdown for GHD-46PF Table, Column and base Assembly

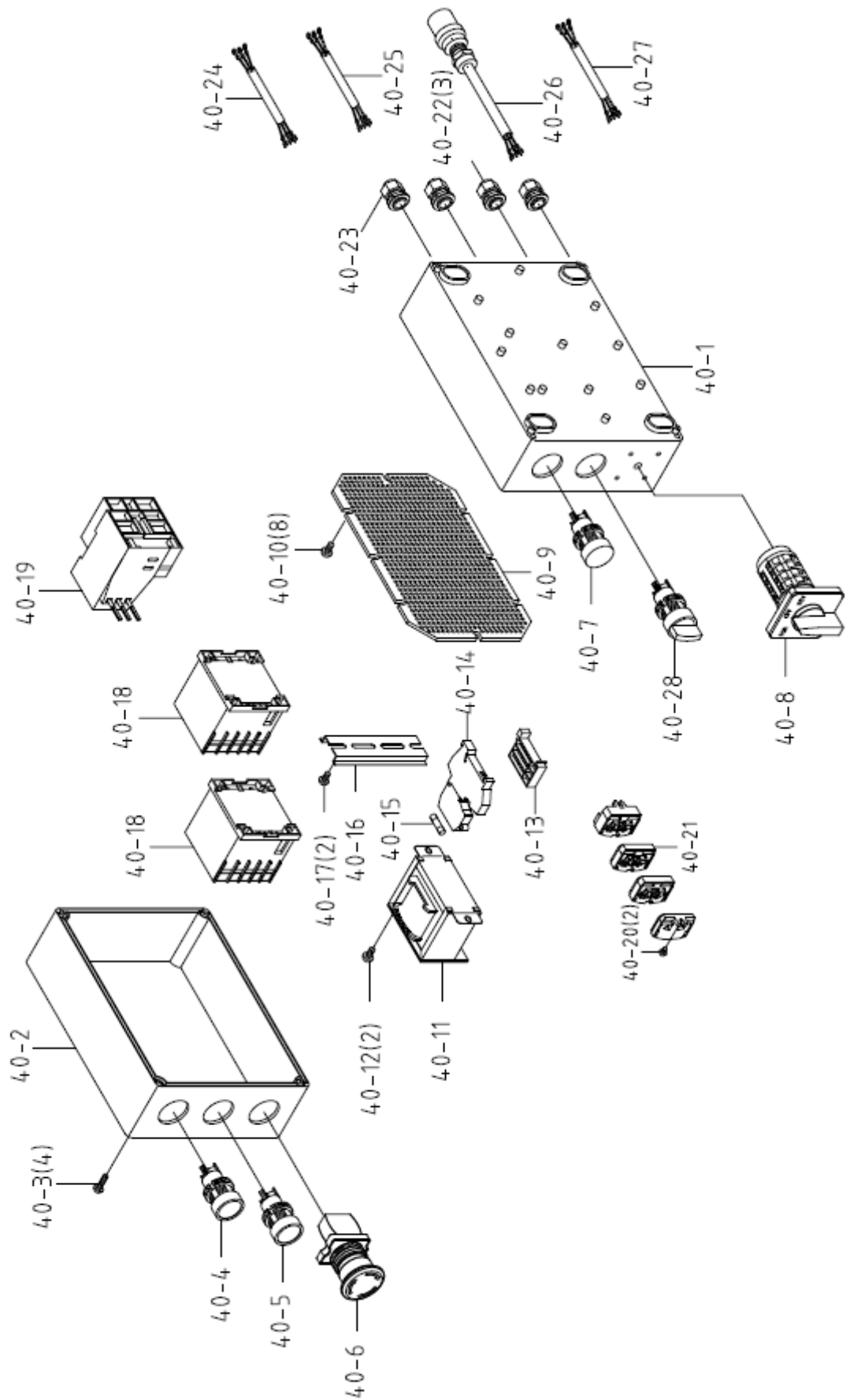


**Parts List for the GHD-46PF  
Table, Column and base Assembly**

<b>Index No.</b>	<b>Part No.</b>	<b>Description</b>	<b>Size</b>	<b>Qty.</b>
801.....	GHD46PF-801.....	Swivel Base.....		1
802.....	GHD46PF-802.....	Filter.....	Ø36.....	2
803.....	GHD46PF-803.....	Coolant Pump Cover.....		1
804.....	GHD46PF-804.....	Round Head Screw.....	M5x10L.....	10
805.....	GHD46PF-805.....	Pipe Connector.....	PT3/8"x1/2L.....	2
806.....	GHD46PF-806.....	Binder.....	5/8".....	2
807.....	GHD46PF-807AE.....	Coolant Pump.....	1/8HP 400v 3PH.....	1
808.....	GHD46PF-808.....	Spring Washer.....	1/4".....	4
809.....	GHD46PF-809.....	Cross Round Head Screw.....	1/4"x1/2"L.....	4
810.....	GHD46PF-810.....	Angle Valve.....	3/8".....	1
811.....	GHD46PF-811.....	Hose.....	3/8"x1100L.....	1
812.....	GHD46PF-812.....	Column Base.....		1
813.....	GHD46PF-813.....	Spring Washer.....	M16.....	4
814.....	GHD46PF-814.....	Hex. Head Screw.....	M16x60L.....	4
815.....	GHD46PF-815.....	Cable Setting Nut.....	PGB19.....	2
816.....	GHD46PF-816.....	Spring Washer.....	M16.....	2
817.....	GHD46PF-817.....	Hex. Socket Head Screw.....	M16x60L.....	2
818S ...	GHD46PF-818S.....	Bearing Cover (Lower) Set.....		1
818-1...	GHD46PF-818-1.....	Bearing Cover (Lower).....		1
818-2...	GHD46PF-818-2.....	Hex. Socker Headless Screw.....	1/2x3/8.....	2
818-3...	GHD46PF-818-3.....	Bushing.....		2
820.....	GHD46PF-820.....	Stddl Ball.....	3/8".....	40
821.....	GHD46PF-821.....	Pin.....	Ø5x40L.....	1
822.....	GHD46PF-822.....	Bearing Cover.....		1
823.....	GHD46PF-823.....	Fiexed Screw.....		2
824.....	GHD46PF-824.....	Hex. Nut.....	5/16".....	2
825.....	GHD46PF-825.....	Rack.....		1
826.....	GHD46PF-826.....	Column Base.....		1
827.....	GHD46PF-827.....	Hose.....	1/2"X1650L.....	1
828.....	GHD46PF-828.....	Square Working Table.....		1
829.....	GHD46PF-829.....	Rack.....		1
830S ...	GHD46PF-830S.....	Head Body Base Set.....		1
830-1...	GHD46PF-830-1.....	Head Body Base.....		1
830-2...	GHD46PF-830-2.....	Hex. Socket Head Screw.....	1/2"x3/8"L.....	2
830-3...	GHD46PF-830-3.....	Bushing.....		2
833.....	GHD46PF-833.....	Cable Setting Screw.....	PG-11.....	2
834.....	GHD46PF-834.....	Spindle Shaft.....		2
835S ...	GHD46PF-835S.....	Column Head Set.....		1
835-1...	GHD46PF-835-1.....	Column Head.....		1
835-2...	GHD46PF-835-2.....	Hex. Socker Headless Screw.....	5/16"x5/16"L.....	1
837.....	GHD46PF-837.....	Hex. Nut.....	3/8".....	1
838.....	GHD46PF-838.....	Washer.....	3/8".....	1
839.....	GHD46PF-839.....	Leaf Plum Handle.....		1
840.....	GHD46PF-840.....	Hex. Nut.....	5/8".....	1
841.....	GHD46PF-841.....	Washer.....	5/8".....	1
842.....	GHD46PF-842.....	Lock Block.....		1
843.....	GHD46PF-843.....	Lock Bolt.....		1
844.....	GHD46PF-844.....	Worm Gear.....		1
845.....	GHD46PF-845.....	Worm Shaft.....		1
846.....	GHD46PF-846.....	Bearing.....	51103.....	1
847.....	GHD46PF-847.....	Hex. Socket Head Screw.....	5/16"x1"L.....	4
848.....	GHD46PF-848.....	Head Raise Bracket.....		1
849.....	GHD46PF-849.....	Worm Shaft.....		1
850.....	GHD46PF-850.....	Hex. Socker Headless Screw.....	1/4"x3/8"L.....	1
851S ...	GHD46PF-58S.....	Head Handle Set.....		1
851-1...	GHD46PF-58-1.....	Head Handle.....		1
851-2...	GHD46PF-58-2.....	Hex. Socker Headless Screw.....	3/8"x1/2"L.....	1
853.....	GHD46PF-59S.....	Clamp Handle Set.....		1

<b>Index No.</b>	<b>Part No.</b>	<b>Description</b>	<b>Size</b>	<b>Qty.</b>
853-1...	GHD46PF-59-1.....	Hex. Socket Head Screw.....	3/8"16UNCx3-1/2"L..	1
835-2...	GHD46PF-59-2.....	Knob .....		1
853-3...	GHD46PF-59-3.....	Hex. Nut.....	3/8" .....	1

**Breakdown for the GHD- 46PF  
Electrical Box Assembly (W/O Tapping Function)**

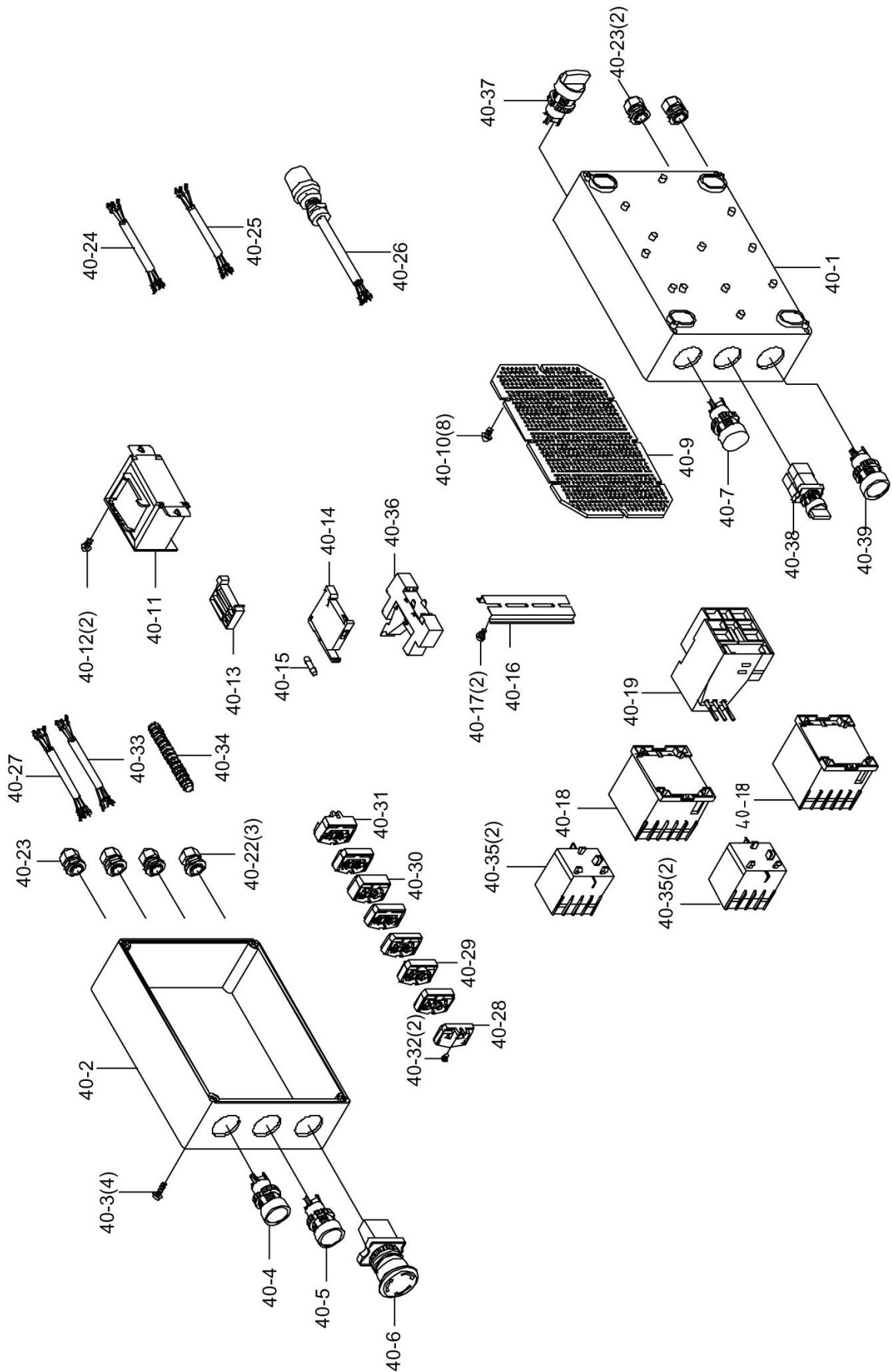




**Parts list for the GHD-46PF  
Electrical Box Assembly (W/O Tapping Function)**

<b>Index No.</b>	<b>Part No.</b>	<b>Description</b>	<b>Size</b>	<b>Qty.</b>
40.....	GHD46PF-40E.....	Electric Box Assembly (include #40-1 to #40-27)		1
40-1.....	JMD45PF-40-1 .....	Box Base.....		1
40-2.....	JMD45PF-40-2 .....	Box Cover .....		1
40-3.....	JMD45PF-40-3 .....	Cross Round Head Screw .....	M4x15.....	4
40-4.....	JMD45PF-40-4 .....	Push Button Switch .....	NPB-F1G1A .....	1
40-5.....	JMD45PF-40-5 .....	Push Button Switch .....	NPB-F1R1B .....	1
40-6.....	JMD45PF-40-6 .....	Emergency Button Switch.....	KEDU HY-57B.....	1
40-7.....	JMD45PF-40-7 .....	Power Indicator Lamp.....	NPL-W .....	1
40-8.....	GHD46PF-40-8.....	Select Switch.....		1
40-9.....	JMD45PF-40-9 .....	Base Plate.....		1
40-10...	TS-081C022 .....	Machine Screw.....	#10x3/8".....	8
40-11...	JMD45PF-40-11 .....	Transformer.....	32VA, 0.7Kg.....	1
40-12...	TS-081C022 .....	Machine Screw.....	#10x3/8".....	2
40-13...	JMD45PF-40-13 .....	Fixed Plate .....		1
40-14...	JMD45PF-40-14 .....	Fuse Block .....	281-611.....	1
40-15...	JMD45PF-40-15 .....	Fuse.....	1A.....	1
40-16...	JMD45PF-40-16 .....	Bracket.....		1
40-17...	TS-081C022 .....	Machine Screw.....	#10x3/8".....	2
40-18...	JMD145PF-40-18.....	Magnetic Contactor .....	C-06D10A7 .....	2
40-19...	JMD45PF-40-19 .....	Overload Protection.....	2.4-3.6A .....	1
40-20...	TS-081C022 .....	Machine Screw.....	#10x3/8".....	2
40-21...	JMD45PF-40-21 .....	Terminal Block.....	264-364.....	1
40-22...	JMD45PF-40-22 .....	Cable Clamping.....	PG11.....	3
40-23...	JMD45PF-40-23 .....	Cable Clamping.....	PG13.5.....	1
40-24...	JMD45PF-40-24E .....	Motor Cable.....		1
40-25...	JMD45PF-40-25E .....	Pump Cable .....		1
40-26...	JMD45PF-40-26E .....	Power Cable.....		1
40-27...	JMD45PF-40-27E .....	Micro Switch Cable.....		1
40-28...	GHD-46PF-40-28E .....	Pump-Switch .....	NSS-22S2 .....	1

## Breakdown for the GHD-46PF Electrical Box Assembly (W/Tapping Function)



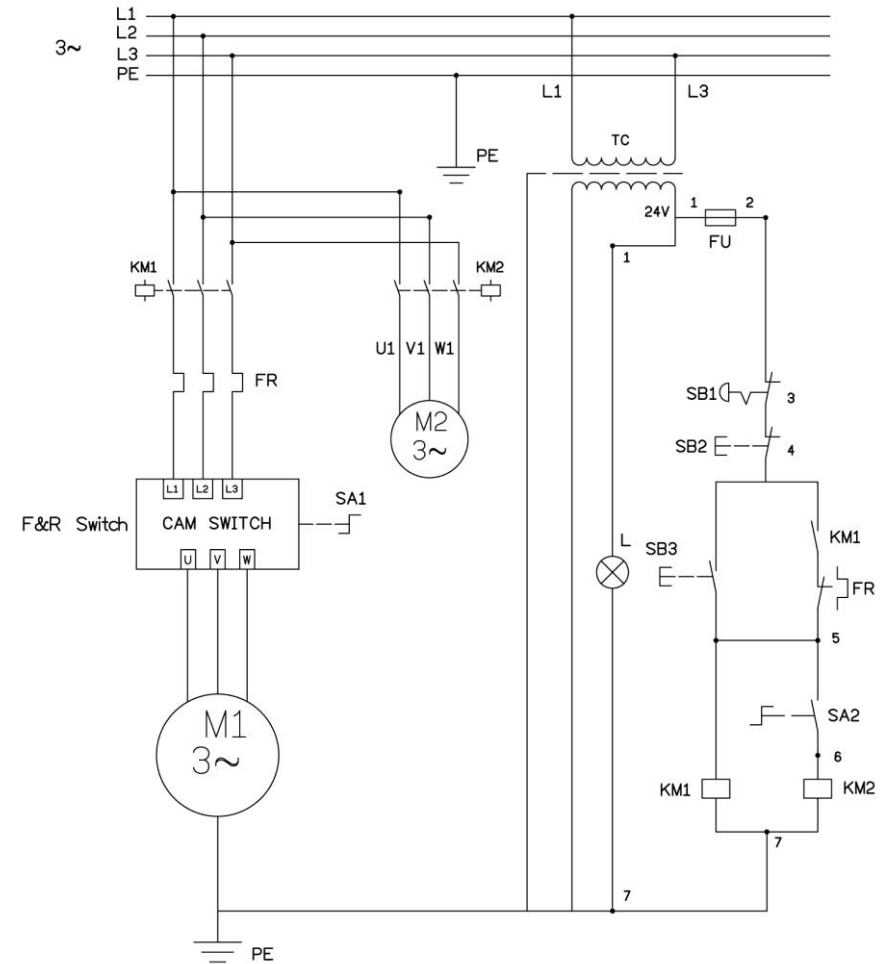
**Parts list for the GHD-46PF  
Electrical Box Assembly (W/Tapping Function)**

<b>Index No.</b>	<b>Part No.</b>	<b>Description</b>	<b>Size</b>	<b>Qty.</b>
40-1.....	JMD45PF-40ET .....	Electric Box Assembly (include #40-1 to #40-39) .....		1
40-1.....	JMD45PF-40-1T .....	Box Base.....		1
40-2.....	JMD45PF-40-2 .....	Box Cover .....		1
40-3.....	JMD45PF-40-3 .....	Cross Round Head Screw .....	M4x15.....	4
40-4.....	JMD45PF-40-4 .....	Push Button Switch .....	NPB-F1G1A .....	1
40-5.....	JMD45PF-40-5 .....	Push Button Switch .....	NPB-F1R1B .....	1
40-6.....	JMD45PF-40-6 .....	Emergency Button Switch.....	KEDU HY-57B.....	1
40-7.....	JMD45PF-40-7 .....	Power Indicator Lamp.....	NPL-W .....	1
40-9.....	JMD45PF-40-9 .....	Base Plate.....		1
40-10...	TS-081C022 .....	Machine Screw.....	#10x3/8".....	8
40-11...	JMD45PF-40-11 .....	Transformer.....	32VA, 0.7Kg.....	1
40-12...	TS-081C022 .....	Machine Screw.....	#10x3/8".....	2
40-13...	JMD45PF-40-13 .....	Fixed Plate .....		1
40-14...	JMD45PF-40-14 .....	Fuse Block .....	281-611.....	1
40-15...	JMD45PF-40-15 .....	Fuse.....	1A.....	1
40-16...	JMD45PF-40-16 .....	Bracket.....		1
40-17...	TS-081C022 .....	Machine Screw.....	#10x3/8".....	2
40-18...	JMD145PF-40-18.....	Magnetic Contactor .....	C-06D10A7 .....	2
40-19...	JMD45PF-40-19 .....	Overload Protection.....	2.4-3.6A .....	1
40-20...	TS-081C022 .....	Machine Screw.....	#10x3/8".....	2
40-21...	JMD45PF-40-21 .....	Terminal Block.....	264-364.....	1
40-22...	JMD45PF-40-22 .....	Cable Clamping.....	PG11.....	3
40-23...	JMD45PF-40-23 .....	Cable Clamping.....	PG13.5.....	3
40-24...	JMD45PF-40-24E .....	Motor Cable.....		1
40-25...	JMD45PF-40-25E .....	Pump Cable .....		1
40-26...	JMD45PF-40-26E .....	Power Cable.....		1
40-27...	JMD45PF-40-27E .....	Micro Switch Cable.....		1
40-28...	GHD-46PF-40-28.....	Side Plate.....		1
40-29...	GHD-46PF-40-29.....	Terminal Base .....	264-326.....	5
40-30...	GHD-46PF-40-30.....	Terminal Base .....	264-336.....	1
40-31...	GHD-46PF-40-31.....	Terminal Base .....	264-337.....	1
40-32...	GHD-46PF-40-32.....	Cross Round Head Screw .....	M4*6 .....	2
40-33...	GHD-46PF-40-33.....	Control Wire .....		1
40-34...	GHD-46PF-40-34.....	Hose .....	"3/8"".....	1
40-35...	GHD-46PF-40-35.....	Auxiliary Contact .....	LA1 KN11.....	2
40-36...	GHD-46PF-40-36.....	Relay .....		1
40-37...	GHD-46PF-40-37.....	Choice-Switch .....	NSS-22S2-2A1B .....	1
40-38...	GHD-46PF-40-38.....	Pump-Switch.....	NSS-22S3 .....	1
40-39...	GHD-46PF-40-39.....	Push-Button Switch .....	NPB-1G1a.....	1

(W/O Tapping Function)  
**GHD-46PF-T.....50000436T...3~400V, 50Hz**

	colour of strands	Litzenfarben	couleur des cordons
BK	black	schwarz	noir
BU	blue	blau	bleu
BN	brown	braun	brun
GY	grey	grau	gris
GNYE	green-yellow	grün-gelb	vert-jaune

	meaning of symbol	Bedeutung der Zeichen	interprétation
M1	main motor	Hauptmotor	moteur principal
M2	pump	Pumpe	pompe
L	indicator lamp	Anzeigelampe	lampe d'indication
SB1	emergency stop switch	Not-Aus Schalter	arrêt d'urgence
SB2	off switch	Aus-Schalter	bouton arrêt
SB3	start switch	Ein-Schalter	bouton marche
KM1	contactor for main motor	Hauptschütz	contacteur moteur
KM2	contactor for pump	Kühlmittel Hauptschütz	contacteur pompe
FU	fuse	Sicherung	fusible
FR	overload cut-off	Überlastschutz	interrupteur surcharge
TC	transformer	Transformator	transformateur
SA1	F/R switch	Schalter Rechtslauf	bouton a droite
SA2	pump switch	Kühlmittel-Schalter	commutateur pompe



# (W / Tapping Function)

## GHD-46PF-T.....50000436T...3~400V, 50Hz

	colour of strands	Litzenfarben	couleur des cordons
BK	black	schwarz	noir
BU	blue	blau	bleu
BN	brown	braun	brun
GY	grey	grau	gris
GNYE	green-yellow	grün-gelb	vert-jaune

	meaning of symbol	Bedeutung der Zeichen	interprétation
M	main motor	Hauptmotor	moteur principal
P	pump	Pumpe	pompe
L	indicator lamp	Anzeigelampe	lampe d'indication
SB1	emergency stop switch	Not-Aus Schalter	arrêt d'urgence
SB2	off switch	Aus-Schalter	bouton arrêt
SB3	start switch	Ein-Schalter	bouton marche
SB4	reverse switch	Rückschalter	commutateur renversé
KM1	contactor(forward)	Kontaktgeber (Vorwärts)	conjoncteur (vers l'avant)
KM2	contactor(Reverse)	Kontaktgeber (Rückseite)	conjoncteur (inverse)
F	fuse	Sicherung	fusible
FR	overload cut-off	Überlastschutz	interrupteur surcharge
TC	transformer	Transformator	transformateur
SA1	pump switch	Kühlmittel-Schalter	commutateur pompe
SA2	select switch (Tapping/Drilling)	auserwählter Schalter (Klopfen/bohrend)	commutateur choisi (tapement/forant)
R1	Relay	Relais	Relais
SQ	chuck guard limit switch	Klemmeschutz-Begrenzungsschalter	commutateur de limite de garde de mandrin
SQ1	upper limit switch	oberer Begrenzungsschalter	commutateur de limite supérieure
SQ2	lower limit switch	Schalter der untereren Grenze	commutateur de limite inférieure

