



MBS-1824DAS MITER BANDSAW

**MBS-1824DAS...ITA1824DAS 3~400V,
50Hz**

PARTS LIST

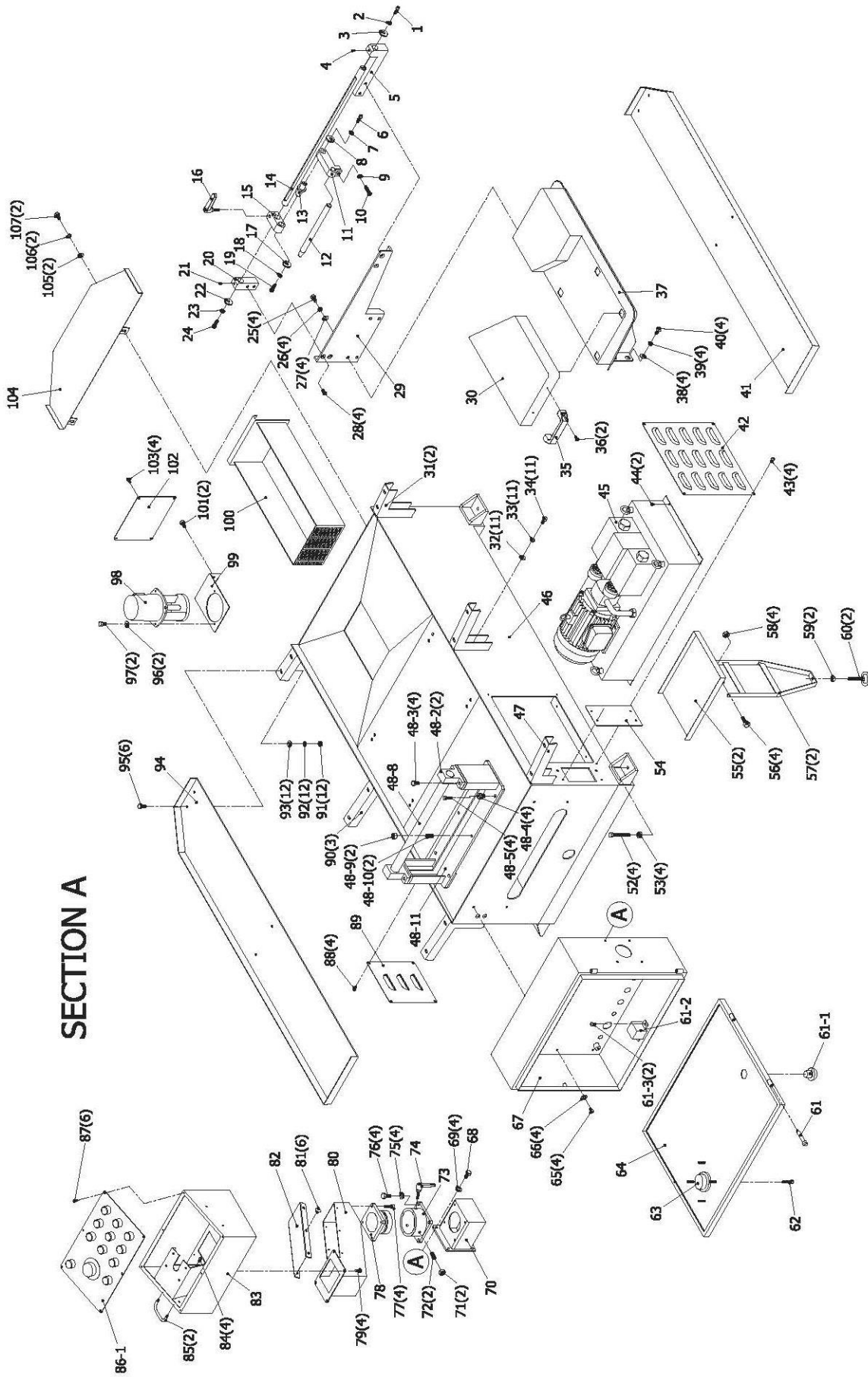


JPW Tool Group Hong Kong Limited
98 Granville Road, Tsimshatsui East, Kowloon, Hong Kong, PRC
www.jettools.com

Импортер в РФ: ООО «ИТА Технолоджи»
105082, Москва, Переведеновский пер., д. 17
www.jettools.ru

Made in Taiwan / Сделано на Тайване

MBS-1824DAS Stand Assembly



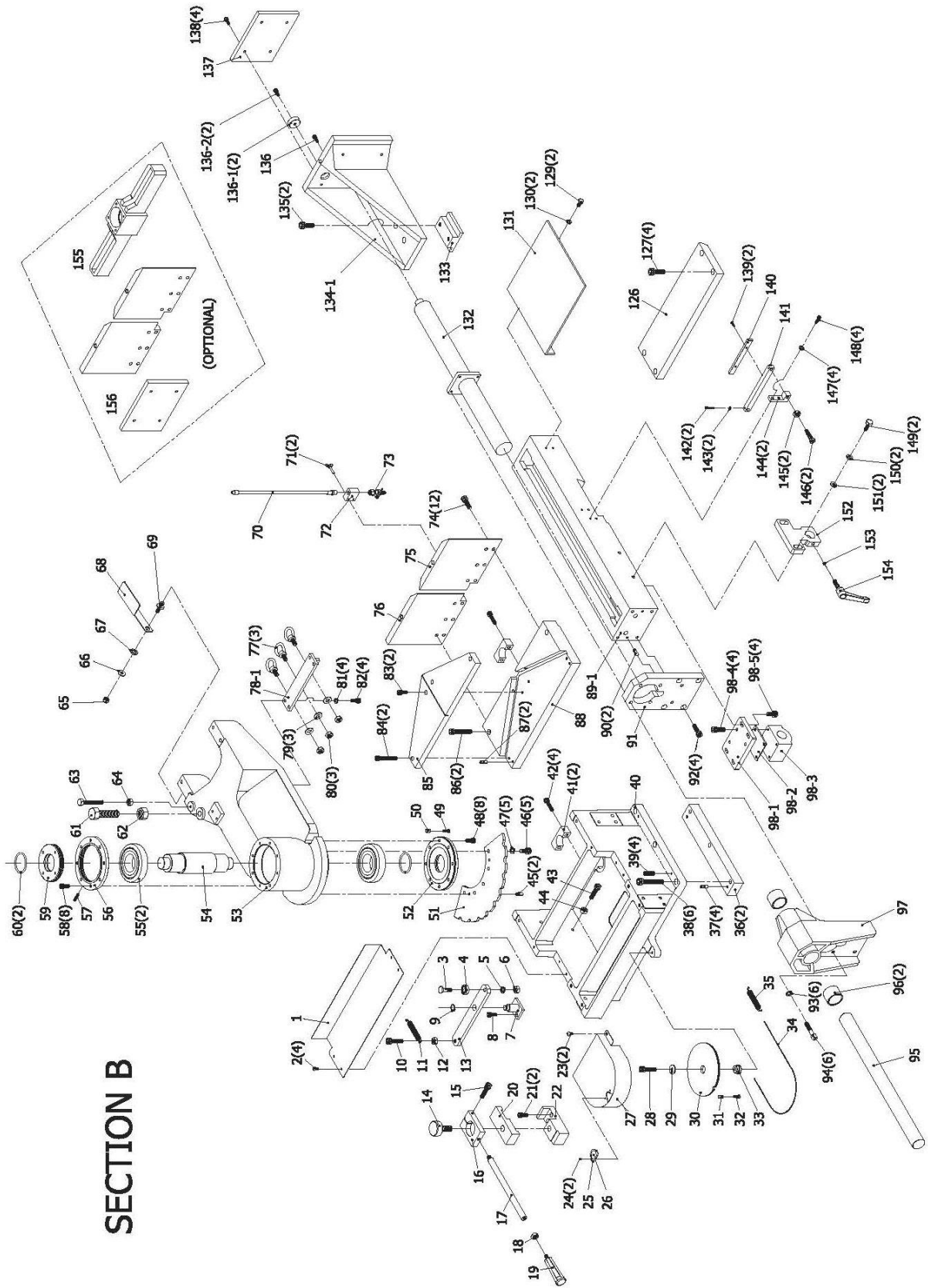
MBS-1824DAS Stand Assembly

Index No.	Part No.	Description	Size	Q'ty
1	MBS1824DAS-A1	Hex. Socket Cap Screw	3/8"x1"L	1
2	MBS1824DAS-A2	Spring Washer	3/8"	1
3	MBS1824DAS-A3	Washer		1
4	MBS1824DAS-A4	Set Screw	5/16"x5/16"L	1
5	MBS1824DAS-A5	Position Bracket (L)		1
6	MBS1824DAS-A6	Hex. Socket Cap Screw	3/8"x1"L	1
7	MBS1824DAS-A7	Spring Washer	3/8"	1
8	MBS1824DAS-A8	Washer		1
9	MBS1824DAS-A9	Spring Washer	3/8"	1
10	MBS1824DAS-A10	Hex. Socket Cap Screw	3/8"x1"L	1
11	MBS1824DAS-A11	Shaft Bracket		1
12	MBS1824DAS-A12	Upper Shaft		1
13	MBS1824DAS-A13	Shaft		1
14	MBS1824DAS-A14	Length Scale Rod		1
15	MBS1824DAS-A15	Adjusting Block		1
16	MBS1824DAS-A16	Locking Handle		1
17	MBS1824DAS-A17	Washer		1
18	MBS1824DAS-A18	Spring Washer	3/8"	1
19	MBS1824DAS-A19	Hex. Socket Cap Screw	3/8"x1"L	1
20	MBS1824DAS-A20	Position Bracket (R)		1
21	MBS1824DAS-A21	Set Screw	5/16"x5/16"L	1
22	MBS1824DAS-A22	Washer		1
23	MBS1824DAS-A23	Spring Washer	3/8"	1
24	MBS1824DAS-A24	Hex. Socket Cap Screw	3/8"x1"L	1
25	TS-1491031E	Hex. Cap Bolt	M10x25L	4
26	MBS1824DAS-A26	Spring Washer	M10	4
27	MBS1824DAS-A27	Washer	M10	4
28	MBS1824DAS-A28	Flat Head Screw	5/16"x3/4"L	4
29	MBS1824DAS-A29G	Outlet Side Plate		1
30	MBS1824DAS-A30G	Removable Retrieval Plate		1
31	MBS1824DAS-A31G	Fixing Bracket		2
32	MBS1824DAS-A32	Washer	M8	11
33	MBS1824DAS-A33	Spring Washer	M8	11
34	TS-2208201E	Hex. Cap Bolt	M8x20L	11
35	MBS1824DAS-A35	Handle		1
36	MBS1824DAS-A36	Big Round Head Screw	M6x12L	2
37	MBS1824DAS-A37G	Retrieval Table		1
38	MBS1824DAS-A38	Washer	M12	4
39	MBS1824DAS-A39	Spring Washer	M12	4
40	TS-1492011E	Hex. Cap Bolt	M12x25L	4
41	MBS1824DAS-A41G	Coolant Tray		1
42	MBS1824DAS-A42G	Cover		1
43	TS-2246082E	Button Head Socket Screw	M6x8L	4
44	TS-1503031E	Hex. Socket Cap Screw	M6x12L	2
45	MBS1824DAS-A45	Hydraulic Unit		1
46	MBS1824DAS-A46G	Machine Base		1
47	MBS1824DAS-A47G	Supporting Bracket		1
48-2	MBS1824DAS-A48-2	Support Base (Series No.13120027 and higher)		2
48-3	TS-1491021E	Hex. Cap Bolt (Series No.13120027 and higher)	M10x20L	4
48-4	MBS1824DAS-A48-4	Adjusting Screw (Series No.13120027 and higher)		4
48-5	TS-1491051E	Hex. Cap Bolt (Series No.13120027 and higher)	M10x35L	4
48-8	MBS1824DAS-A48-8	Shaft		1
48-9	TS-2311121E	Nut	M12	2
48-10	TS-1526041E	Set Screw	M12x25L	2
48-11	MBS1824DAS-A48-11G	Shaft Bracket Set		1
52	TS-1494052E	Hex. Cap Bolt	M16x60L	4
53	MBS1824DAS-A53	Nut	M16	4
54	MBS1824DAS-A54	Cover		1
55	MBS1824DAS-A55G	Movable Coolant Tray		2

MBS-1824DAS Stand Assembly

Index No.	Part No.	Description	Size	Q'ty
56	TS-1482021E	Hex. Cap Bolt	M6x12L	4
57	MBS1824DAS-A57G	Bracket		2
58	MBS1824DAS-A58	Nut	M6	4
59	MBS1824DAS-A59	Nut	1/2"	2
60	MBS1824DAS-A60	Adjusting Bolt		2
61	MBS1824DAS-A61	Door Pin		2
61-1	MBS1824DAS-A61-1	O.L. Indicator Light		1
61-2	MBS1824DAS-A61-2	Blade Stuck Overload Relay		1
61-3	MBS1824DAS-A61-3	Button Head Socket Screw	M4x8L	2
62	TS-1503071E	Hex. Socket Cap Screw	M6x30L	1
63	MBS1824DAS-A63	Power Switch		1
64	MBS1824DAS-A64G	Electric Box Cover		1
65	TS-1503011E	Hex. Socket Cap Screw	M6x8L	4
66	MBS1824DAS-A66	Spring Washer	M6x8L	4
67	MBS1824DAS-A67G	Electric Box (Swivel)		1
68	TS-2228161E	Hex. Cap Bolt	M8x16L	4
69	MBS1824DAS-A69	Spring Washer	M8	4
70	MBS1824DAS-A70G	Fixing Bracket		1
71	MBS1824DAS-A71	Nut	M6	2
72	TS-1523081E	Set Screw	M6x30L	2
73	MBS1824DAS-A73G	Shaft Bushing		1
74	MBS1824DAS-A74	Locking Handle	M8x30L	1
75	MBS1824DAS-A75	Spring Washer	M8	4
76	TS-2228161E	Hex. Cap Bolt	M8x16L	4
77	TS-1482031E	Hex. Cap Bolt	M6x16L	4
78	MBS1824DAS-A78G	Swiveling Shaft		1
79	TS-2246082E	Button Head Socket Screw	M6x8L	4
80	MBS1824DAS-A80G	Swiveling Bracket		1
81	MBS1824DAS-A81	Big Round Head Screw	M6x8L	6
82	MBS1824DAS-A82G	Cover		1
83	MBS1824DAS-A83G	Operation Box		1
84	MBS1824DAS-A84	Button Head Socket Screw	M5x8L	4
85	MBS1824DAS-A85	Handle		2
86-1	MBS1824DAS-A86-1	Control Panel		1
87	MBS1824DAS-A87	Button Head Socket Screw	M5x8L	6
88	TS-2246082E	Button Head Socket Screw	M6x8L	4
89	MBS1824DAS-A89G	Hydraulic Rear Cover		1
90	MBS1824DAS-A90G	Fixing Bracket		3
91	MBS1824DAS-A91	Nut	M8	12
92	MBS1824DAS-A92	Spring Washer	M8	12
93	MBS1824DAS-A93	Washer	M8	12
94	MBS1824DAS-A94G	Coolant Plate (L)		1
95	TS-2208201E	Hex. Cap Bolt	M8x20L	12
96	TS-1482021E	Hex. Cap Bolt	M6x12L	2
97	MBS1824DAS-A97	Spring Washer	M6	2
98	MBS1824DAS-A98	Coolant Pump	1/6Hp x 150L	1
99	MBS1824DAS-A99	Fixing Plate		1
100	MBS1824DAS-A100G	Chip Box		1
101	TS-2246122E	Button Head Socket Screw	M6x12L	2
102	MBS1824DAS-A102G	Cover		1
103	TS-2246082E	Button Head Socket Screw	M6x8L	4
104	MBS1824DAS-A104G	Coolant Plate (Rear)		1
105	MBS1824DAS-A105	Washer	M8	2
106	MBS1824DAS-A106	Spring Washer	M8	2
107	TS-2228161E	Hex. Cap Bolt	M8x16L	2

MBS-1824DAS Rotary Mechanism Assembly



SECTION B

MBS-1824DAS Rotary Mechanism Assembly

Index No.	Part No.	Description	Size	Q'ty
1	MBS1824DAS-B1G	Cover Plate		1
2	MBS1824DAS-B2	Button Head Socket Screw	M5x8L	4
3	MBS1824DAS-B3	Cam Shaft		1
4	BB-6000ZZE	Bearing	6000	1
5	MBS1824DAS-B5	Spring Washer	M10	1
6	MBS1824DAS-B6	Nut	M10	1
7	MBS1824DAS-B7	Cam Bracket		1
8	TS-1504051E	Hex. Socket Cap Screw	M8x25L	2
9	MBS1824DAS-B9	C Ring	S16	1
10	TS-1505061E	Hex. Socket Cap Screw	M10x40L	1
11	MBS1824DAS-B11	Cam Spring		1
12	MBS1824DAS-B12	Nut	M10	1
13	MBS1824DAS-B13	Connecting Plate		1
14	MBS1824DAS-B14	Locking Bolt		1
15	TS-1505081E	Hex. Socket Cap Screw	M10x50L	1
16	MBS1824DAS-B16	Connecting Block		1
17	MBS1824DAS-B17	Locking Rod		1
18	MBS1824DAS-B18	Nut	M12	1
19	MBS1824DAS-B19	Rubber Handle		1
20	MBS1824DAS-B20	Brake Plate		1
21	TS-1504041E	Hex. Socket Cap Screw	M8x20L	2
22	MBS1824DAS-B22	Brake Bracket		1
23	TS-2246082E	Button Head Socket Screw	M6x8L	2
24	TS-1501011E	Hex. Socket Cap Screw	M4x6L	2
25	MBS1824DAS-B25	Magnifier Holder		1
26	MBS1824DAS-B26	Angle Magnifier		1
27	MBS1824DAS-B27	Cover		1
28	TS-1505061E	Hex. Socket Cap Screw	M10x40L	1
29	MBS1824DAS-B29	Washer	M10	1
30	MBS1824DAS-B30	Center Wheel		1
31	MBS1824DAS-B31	Wire Fastener		1
32	TS-1481041E	Hex. Cap Bolt	M5x16L	1
33	MBS1824DAS-B33	Bushing		1
34	MBS1824DAS-B34	Steel Rope		1
35	MBS1824DAS-B35	Angle Spring		1
36	MBS1824DAS-B36	Plate		2
37	MBS1824DAS-B37	Spring Pin	8x20L	4
38	MBS1824DAS-B38	Hex. Socket Cap Screw	M12x130L	6
39	TS-1526041E	Set Screw	M12x25L	4
40	MBS1824DAS-B40G	Table		1
41	MBS1824DAS-B41	Fixing Block		2
42	TS-1505051E	Hex. Socket Cap Screw	M10x35L	4
43	TS-1505061E	Hex. Socket Cap Screw	M10x40L	1
44	MBS1824DAS-B44	Nut	M10	1
45	MBS1824DAS-B45	Spring Pin	8x20L	2
46	TS-1505021E	Hex. Socket Cap Screw	M10x20L	5
47	MBS1824DAS-B47	Spring Washer	M10	5
48	TS-1504041E	Hex. Socket Cap Screw	M8x20L	8
49	TS-1481041E	Hex. Cap Bolt	M5x16L	1
50	MBS1824DAS-B50	Wire Fastener		1
51	MBS1824DAS-B51	Position Plate		1
52	MBS1824DAS-B52	Lower Cover		1
53	MBS1824DAS-B53G	Swiveling		1
54	MBS1824DAS-B54	Swiveling Shaft		1
55	MBS1824DAS-B55	Bearing	30312	2
56	MBS1824DAS-B56	Upper Cover		1
57	TS-1523071E	Set Screw	M6x25L	1
58	TS-1504041E	Hex. Socket Cap Screw	M8x20L	8
59	MBS1824DAS-B59	Tighten Plate		1
60	MBS1824DAS-B60	Oil Ring	P60	2

MBS-1824DAS Rotary Mechanism Assembly

Index No.	Part No.	Description	Size	Q'ty
61	MBS1824DAS-B61	Hex. Cap Bolt	M20x65L	1
62	MBS1824DAS-B62	Nut	M20	1
63	TS-1491101E	Hex. Cap Bolt	M10x60L	1
64	MBS1824DAS-B64	Nut	M10	1
65	MBS1824DAS-B65	Nylon Nut	M10	1
66	MBS1824DAS-B66	Washer		1
67	MBS1824DAS-B67	Washer		1
68	MBS1824DAS-B68	Position Adjusting Plate		1
69	MBS1824DAS-B69	Position Bolt		1
70	MBS1824DAS-B70	Hose	1/4"x18"	1
71	MBS1824DAS-B71	Wing Screw	M6x30L	2
72	MBS1824DAS-B72	Hose Seat		1
73	MBS1824DAS-B73	Coolant Switch		1
74	TS-1505041E	Hex. Socket Cap Screw	M10x30L	12
75	MBS1824DAS-B75	Attached Plate (R)		1
76	MBS1824DAS-B76	Attached Plate (L)		1
77	MBS1824DAS-B77	Screw Holder	1/2"x50L	3
78-1	MBS1824DAS-B78-1	Lower Bracket		1
79	MBS1824DAS-B79	Washer	1/2"	3
80	MBS1824DAS-B80	Nut	1/2"	3
81	MBS1824DAS-B81	Spring Washer	M8	4
82	TS-1504051E	Hex. Socket Cap Screw	M8x25L	4
83	TS-1504041E	Hex. Socket Cap Screw	M8x20L	2
84	MBS1824DAS-B84	Hex. Socket Cap Screw	M10x55L	2
85	MBS1824DAS-B85	Angle Cutting Table		1
86	TS-1505101E	Hex. Socket Cap Screw	M10x60L	2
87	MBS1824DAS-B87	Spring Pin	8x20L	2
88	MBS1824DAS-B88	Cutting Platform		1
89-1	MBS1824DAS-B89-1G	Vise Table		1
90	MBS1824DAS-B90	Spring Pin	8x20L	2
91	MBS1824DAS-B91	Position Plate		1
92	TS-1506041E	Hex. Socket Cap Screw	M12x35L	4
93	MBS1824DAS-B93	Spring Washer	M10	6
94	MBS1824DAS-B94	Hex. Socket Cap Screw	M10x40L	6
95	MBS1824DAS-B95	Upper Shaft		1
96	MBS1824DAS-B96	Oilless Bearing	45x55x40	2
97	MBS1824DAS-B97G	Central Bracket		1
98-1	MBS1824DAS-B98-1G	Slider Block		1
98-2	MBS1824DAS-B98-2G	Pad		1
98-3	MBS1824DAS-B98-3G	Slider Seat		1
98-4	TS-1504061E	Hex. Socket Cap Screw	M8x30L	4
98-5	TS-1504041E	Hex. Socket Cap Screw	M8x20L	4
126	MBS1824DAS-B126	Guide Plate		1
127	TS-1506041E	Hex. Socket Cap Screw	M12x35L	4
129	TS-2208201E	Hex. Cap Bolt	M8x20L	2
130	MBS1824DAS-B130	Spring Washer	M8	2
131	MBS1824DAS-B131G	Table Plate		1
132	MBS1824DAS-B132	Front Vise Cylinder		1
133	MBS1824DAS-B133	Position Block		1
134-1	MBS1824DAS-B134-1	Front Vise		1
135	TS-1506031E	Hex. Socket Cap Screw	M12x30L	2
136	TS-1504041E	Hex. Socket Cap Screw	M8x20L	1
136-1	MBS1824DAS-B136-1	Vise Cylinder Block		2
136-2	MBS1824DAS-B136-2	Hex. Socket Cap Screw	M8x20L	2
137	MBS1824DAS-B137	Attached Plate		1
138	TS-1504041E	Hex. Socket Cap Screw	M8x20L	4
139	TS-1513021E	Flat Head Screw	M5x12L	2
140	MBS1824DAS-B140	Copper Sheet		1

MBS-1824DAS Rotary Mechanism Assembly

Index No.	Part No.	Description	Size	Q'ty
141	MBS1824DAS-B141	.. Position Block.....		1
142	TS-1502051E	.. Hex. Socket Cap Screw.....	M5x20L.....	2
143	MBS1824DAS-B143	.. Nut.....	M5.....	2
144	MBS1824DAS-B144	.. Fixing Frame.....		2
145	MBS1824DAS-B145	.. Nut.....	M12.....	2
146	MBS1824DAS-B146	.. Adjusting Screw.....		2
147	MBS1824DAS-B147	.. Spring Washer.....	M8.....	4
148	TS-1504041E	.. Hex. Socket Cap Screw.....	M8x20L.....	4
149	MBS1824DAS-B149	.. Steel Hex. Cap Bolt.....	M12.....	2
150	MBS1824DAS-B150	.. Spring Washer.....	M12.....	2
151	MBS1824DAS-B151	.. Washer.....	M12x35L.....	2
152	MBS1824DAS-B152	.. Position Block.....		1
153	MBS1824DAS-B153	.. Brass.....		1
154	MBS1824DAS-B154	.. Handle.....	TRT80 M12x50L.....	1
155	MBS1824DAS-B155	.. Hydraulic Vertical Press Device (optional).....		1
156	MBS1824DAS-B156	.. Vise Plate Assembly (optional).....	400mm.....	1

MBS-1824DAS Bow Assembly

Index No.	Part No.	Description	Size	Q'ty
1-1	MBS1824DAS-C1-1	Button Head Socket Screw	M5x8L	2
1-2	MBS1824DAS-C1-2G	Cover		1
1-3	MBS1824DAS-C1-3	Handle		1
1-4	MBS1824DAS-C1-4	Big Round Head Screw	M6x12L	2
1-5	MBS1824DAS-C1-5	Hex. Cap Bolt	M6x100L	2
1-6	MBS1824DAS-C1-6	Nylon Knob		2
1-7	MBS1824DAS-C1-7	Washer	M6	2
1-8	MBS1824DAS-C1-8	Pipe		2
1-9	MBS1824DAS-C1-9	Nut	M6	2
2	MBS1824DAS-C2G	Wheel Cover		1
3	MBS1824DAS-C3	Flat Head Screw	M12x25L	1
4	MBS1824DAS-C4	Driver Wheel Washer		1
5	MBS1824DAS-C5	Driver Wheel		1
6-1	MBS1824DAS-C6-1	Blade Guard		1
7-1	MBS1824DAS-C7-1	Button Head Socket Screw	M5x8L	2
9	MBS1824DAS-C9G	Guide Post (R)		1
10	TS-2246162E	Button Head Socket Screw	M6x16L	4
11	MBS1824DAS-C11	Cover Latch		2
12	MBS1824DAS-C12	Pin	8x70L	2
13	TS-2248302E	Button Head Socket Screw	M8x30	4
14	MBS1824DAS-C14	Latch Block		2
16-1	MBS1824DAS-C16-1	Button Head Socket Screw	M5x8L	2
17-1	MBS1824DAS-C17-1	Blade Guard		1
18	TS-1505051E	Hex. Socket Cap Screw	M10x35L	4
19	MBS1824DAS-C19	Washer	M10	4
20	MBS1824DAS-C20	Spring Washer	M10	4
21	TS-1524041E	Set Screw	M8x16L	6
22	MBS1824DAS-C22	Round Head Screw	M5x8L	5
23	MBS1824DAS-C23G	Guide Plate		1
24	MBS1824DAS-C24	Locking Block		2
25	MBS1824DAS-C25G	Guide Post (L)		1
26	MBS1824DAS-C26	Locking Handle	M12x50L	1
	MBS1824DAS-C27A	Lasar Device Set Assembly (including 27-1~27-10) (option)		
27-1	MBS1824DAS-C27-1	Half Round Head Screw	M3x12L	2
27-2	MBS1824DAS-C27-2	Spring Washer	M3	2
27-3	MBS1824DAS-C27-3	Washer	M3	2
27-4	TS-1502031E	Hex. Socket Cap Screw	M5x12L	1
27-5	MBS1824DAS-C27-5	Spring Washer	M5	1
27-6	MBS1824DAS-C27-6	Washer	M5	1
27-7	MBS1824DAS-C27-7	Lasar Device		1
27-8	MBS1824DAS-C27-8	Lasar Plate		1
27-9	MBS1824DAS-C27-9	Lasar Bracket		1
27-10	MBS1824DAS-C27-10	Nut	M3	2
33	TS-1505021E	Hex. Socket Cap Screw	M10x20L	4
34	TS-1525031E	Set Screw	M10x16L	4
35	MBS1824DAS-C35	Metal Scale		1
35-1	TS-1492051E	Hex. Cap Steel Screw	M12x50L	1
36	MBS1824DAS-C36	Spring	9.0x56x54N	3
37	TS-1505031E	Hex. Socket Cap Screw	M10x25L	3
38	MBS1824DAS-C38	Spring Washer	M10	3
39-1	MBS1824DAS-C39-1	Upper Bracket		1
40	MBS1824DAS-C40	Washer	1/2"	6
41	MBS1824DAS-C41	Nut	1/2"	6
42	MBS1824DAS-C42	Nut	M6	1
43	MBS1824DAS-C43	Spring Washer	M6	1
44	MBS1824DAS-C44	Washer	M6	1
45	MBS1824DAS-C45	Brush		1
46	MBS1824DAS-C46	Oilless Bush	1212	2
47	MBS1824DAS-C47	Shaft Bushing		1

MBS-1824DAS Bow Assembly

Index No.	Part No.	Description	Size	Q'ty
47-1	MBS1824DAS-C47-1	Button Head Socket Screw	M5x8L	2
47-2	MBS1824DAS-C47-2	Cover		1
48	MBS1824DAS-C48	Brush Cover		1
49	MBS1824DAS-C49	Fixing Bracket		1
50	TS-2208201E	Hex. Cap Bolt	M8x20L	2
51	MBS1824DAS-C51	Spring Washer	M8	2
52	MBS1824DAS-C52	Washer	M8	2
53	MBS1824DAS-C53	Spring Washer	M6	1
54	MBS1824DAS-C54	Wing Screw	M6x10L	1
55	TS-1503051E	Hex. Socket Cap Screw	M6x20L	1
56	MBS1824DAS-C56	Brush Shaft		1
57	MBS1824DAS-C57	Nut	M20	1
58	MBS1824DAS-C58	Transformer Shaft		1
59	MBS1824DAS-C59	Key	4x15L	4
60	MBS1824DAS-C60	Universal Joint		2
61	TS-1522011E	Set Screw	M5x6L	8
62	MBS1824DAS-C62	Universal Joint Cover		2
63	MBS1824DAS-C63	Universal Joint Plate		1
64	MBS1824DAS-C64	Button Head Socket Screw	M5x8L	2
65	MBS1824DAS-C65	Chip Motor Bracket		1
66	MBS1824DAS-C66	Spring Washer	M8	1
67	TS-1504041E	Hex. Socket Cap Screw	M8x20L	1
68	MBS1824DAS-C68	Nut	M6	8
69	MBS1824DAS-C69	Chip Motor		1
70	MBS1824DAS-C70	Hex. Socket Cap Screw	M6x90L	4
71	MBS1824DAS-C71G	Saw Bow		1
72	MBS1824DAS-C72	Spring Washer	M12	4
73	TS-2211451E	Hex. Cap Steel Screw	M12x45L	4
74	TS-1506111E	Hex. Socket Cap Screw	M12x70L	4
75	MBS1824DAS-C75	Shaft Washer		1
76	MBS1824DAS-C76	Lower Shaft		1
77	MBS1824DAS-C77	Lower Bracket		1
78	TS-1504041E	Hex. Socket Cap Screw	M8x20L	2
79	MBS1824DAS-C79	Upper Shaft		1
80	MBS1824DAS-C80	Eye Bearing	POS16	1
81	MBS1824DAS-C81	Nut	M20xP1.5	1
82	MBS1824DAS-C82	Lift Cylinder		1
83	MBS1824DAS-C83	Ring	S20	4
84	TS-1504081E	Hex. Socket Cap Screw	M8x40L	2
85	MBS1824DAS-C85	Spring Washer	M8	2
86	MBS1824DAS-C86	Press Block		1
87	MBS1824DAS-C87	Support Plate		2
88	MBS1824DAS-C88	Washer	M10	4
89	MBS1824DAS-C89	Spring Washer	M10	4
90	TS-1505041E	Hex. Socket Cap Screw	M10x30L	4
91	MBS1824DAS-C91	Bearing	32009	2
92	MBS1824DAS-C92	Guide Roller Shaft		2
93	MBS1824DAS-C93	Guide Roller		2
	MBS1824DAS-C93GRA	Guide Roller Assembly (including 92~98)		2
94	BB-6005ZZE	Bearing	6005	4
95	TS-1506091E	Hex. Socket Cap Screw	M12x60L	2
96	MBS1824DAS-C96	Spring Washer	M12	2
97	MBS1824DAS-C97	Washer		2
98	MBS1824DAS-C98	Ring	R47	2
99	MBS1824DAS-C99	Nut	AN09	1
100	MBS1824DAS-C100	Teeth Washer	AW09	1
101	MBS1824DAS-C101	Shaft Cover	32009AV	2
102	MBS1824DAS-C102	Idle Wheel		1
103	TS-1501091E	Hex. Socket Cap Screw	M4x35L	2

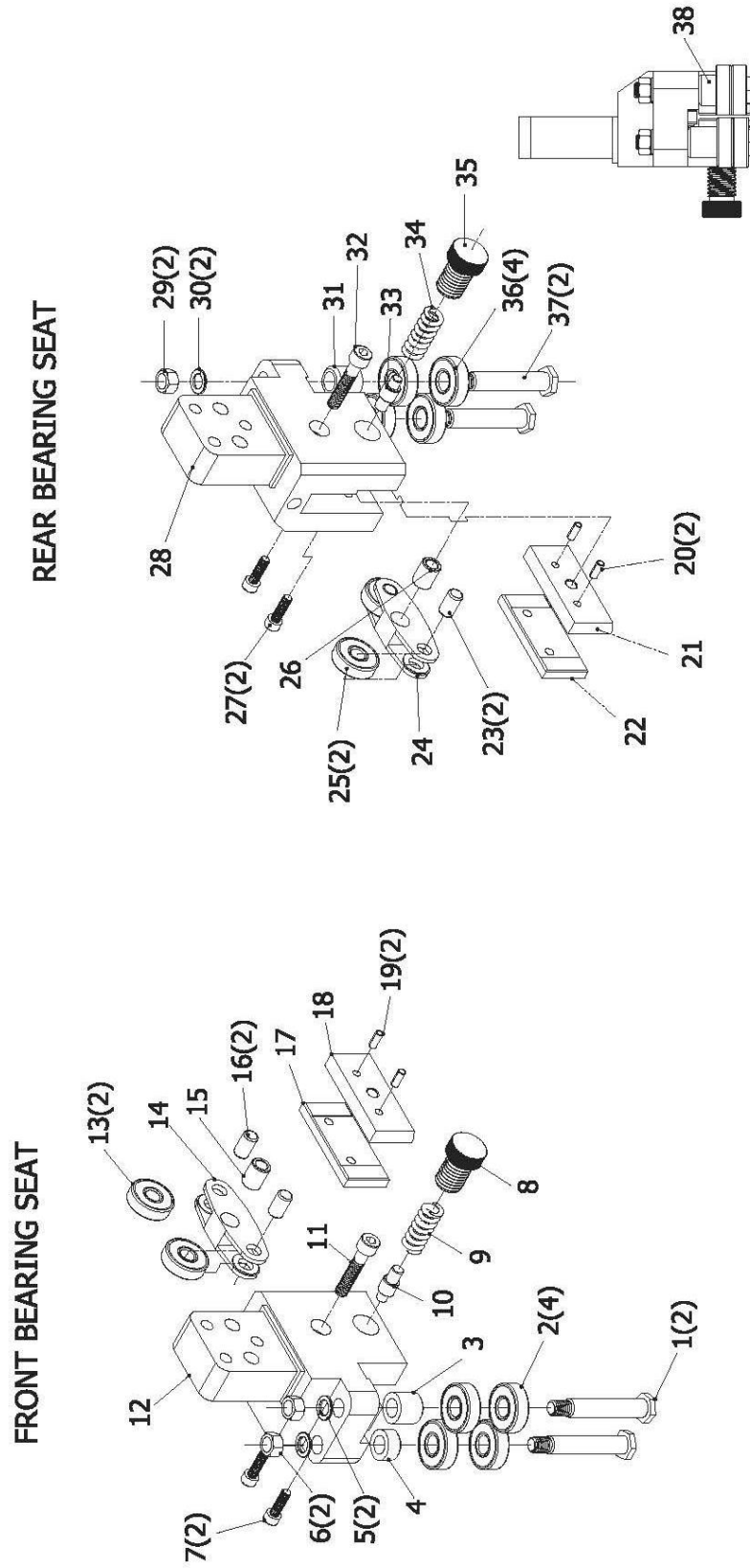
MBS-1824DAS Bow Assembly

Index No.	Part No.	Description	Size	Q'ty
104	MBS1824DAS-C104	Limit Switch	AZD-S11	1
105	MBS1824DAS-C105	Nut	M8	2
106	MBS1824DAS-C106	Short Bracket		1
107	MBS1824DAS-C107	Spacer		1
108	TS-2248252E	Button Head Socket Screw	M8x25L	4
109	TS-1490031E	Hex. Cap Bolt	M8x20L	1
110	TS-1490031E	Hex. Cap Bolt	M8x20L	1
111	MBS1824DAS-C111	Spring Washer	M8	1
112	TS-1521051E	Set Screw	M4x12L	2
113	MBS1824DAS-C113	Safe Locker		1
114	MBS1824DAS-C114	Spring		1
115	MBS1824DAS-C115	Spacer		1
116	MBS1824DAS-C116	Holding Bracket		1
117	MBS1824DAS-C117	Bracket Bush		1
118	MBS1824DAS-C118	Long Bracket		1
119	MBS1824DAS-C119	Handle		2
120-1	MBS1824DAS-C120-1	Handwheel (Series No.13120027 and higher)		1
120-2	MBS1824DAS-C120-2	Nylon Nut (Series No.13120027 and higher)	M20	1
124	BB-51105E	Bearing	51105	1
125	MBS1824DAS-C125	Blade Tension Gauge		1
126	MBS1824DAS-C126	Screw Bushing		1
127	MBS1824DAS-C127	Plate		1
128	MBS1824DAS-C128	Nut	M8	1
129	TS-1490111E	Hex. Cap Bolt	M8x60L	1
130-1	MBS1824DAS-C130-1	Lead Screw (Series No.13120027 and higher)	M20x425L	1
131	MBS1824DAS-C131	Disc Spring	502225	8
132	MBS1824DAS-C132	Spring Pin	5x12L	2
133	MBS1824DAS-C133	Spring Bush		1
134	TS-1501091E	Hex. Socket Cap Screw	M4x35L	2
135	MBS1824DAS-C135	Limit Switch	AZD-1001T	1
135-1	MBS1824DAS-C135-1	Nut (Series No.13120027 and higher)	M20	1
136	MBS1824DAS-C136	Idle Wheel Washer		1
137	MBS1824DAS-C137	Ring	S45	2
138	MBS1824DAS-C138	Idle Wheel Shaft Set		1
139	MBS1824DAS-C139	Slide		1
140	MBS1824DAS-C140	Pin	16x90L	1
141	TS-1526041E	Set Screw	M12x25L	1
142	MBS1824DAS-C142	Slide Guide		2
143	MBS1824DAS-C143	Slide Plate		2
144	MBS1824DAS-C144	Spring Washer	M10	6
145	TS-1505101E	Hex. Socket Cap Screw	M10x60L	6
146	MBS1824DAS-C146G	Idle Wheel Cover		1
147	TS-2246082E	Button Head Socket Screw	M6x8L	4
148	MBS1824DAS-C148	Limit Switch	AZD-1001T	1
149	MBS1824DAS-C149	Hex. Socket Cap Screw	M4x35L	2
150	MBS1824DAS-C150	Limit Switch	ED-1-3-32	1
151	TS-1501091E	Hex. Socket Cap Screw	M4x35L	2
152	MBS1824DAS-C152	Oilless Bearing	4040	2
153	MBS1824DAS-C153	Spacer		2
154	MBS1824DAS-C154	Key	14x9x50	1
155	MBS1824DAS-C155	Gear Reducer	120#1/40	1
155-1	MBS1824DAS-C155-1	Input Shaft (not show)		1
155-2	MBS1824DAS-C155-2	Output Shaft (not show)	50mm	1
156	MBS1824DAS-C156	Motor	3.7Kw 3Ph 400V	1
157	TS-1491041E	Hex. Cap Bolt	M10x30L	4
158	MBS1824DAS-C158	Spring Washer	M10	4
160	MBS1824DAS-C160	Key	10x8x40	1
161	MBS1824DAS-C161	Wheel Box		1

MBS-1824DAS Bow Assembly

Index No.	Part No.	Description	Size	Q'ty
162	MBS1824DAS-C162	Belt	1922V504	1
163	MBS1824DAS-C163	Speed Controlled Wheel (Variable)		1
164	MBS1824DAS-C164	Speed Controlled Wheel (Fixing)		1
165	MBS1824DAS-C165	Hex. Socket Cap Screw	M8x65L	1
166	MBS1824DAS-C166	Wheel Box Cover		1
167	MBS1824DAS-C167	Button Head Socket Screw	M5x8L	8
168	MBS1824DAS-C168	Button Head Socket Screw	M5x8L	4
169	MBS1824DAS-C169	Cover Plate		1

SECTION D

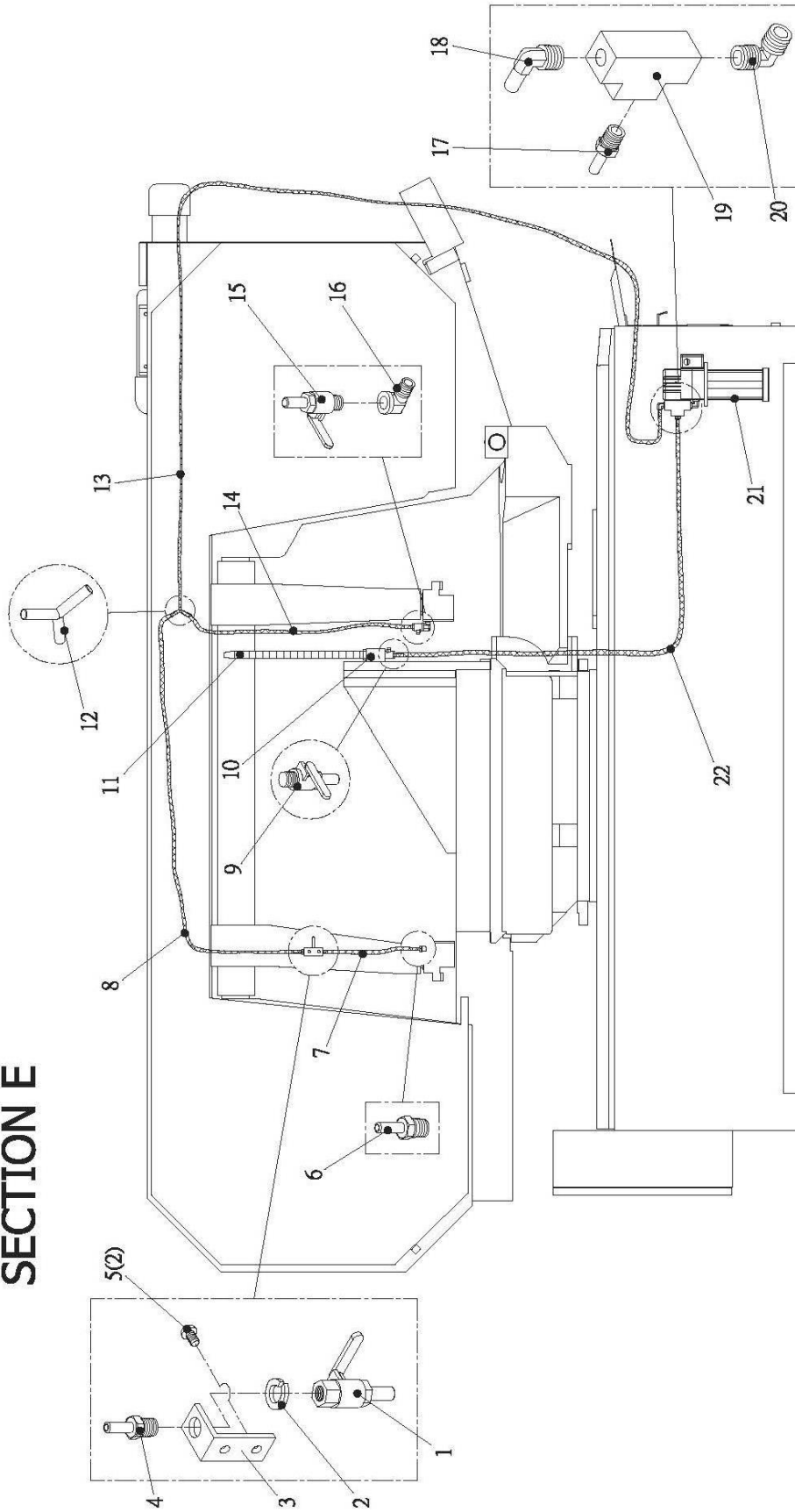


MBS-1824DAS Bearing Guide Assembly

Index No.	Part No.	Description	Size	Q'ty
	MBS1824DAS-FBSA	Front Bearing Seat Assembly (included 1~19)		1
1	MBS1824DAS-D1	Bearing Long Shaft		2
2	BB-6201ZZE	Bearing	6201	4
3	MBS1824DAS-D3	Bearing Sleeve (Long)		1
4	MBS1824DAS-D4	Bearing Sleeve (Short)		1
5	MBS1824DAS-D5	Spring Washer	M10	2
6	MBS1824DAS-D6	Nut	M10	2
7	TS-1503051E	Hex. Socket Cap Screw	M6x20L	2
8	MBS1824DAS-D8	Adjusting Screw		1
9	MBS1824DAS-D9	Adjusting Spring		1
10	MBS1824DAS-D10	Guide Pin		1
11	TS-1504081E	Hex. Socket Cap Screw	M8x40L	1
12	MBS1824DAS-D12	Left Guide Block		1
13	BB-6200ZZE	Bearing	6200	2
14	MBS1824DAS-D14	Bearing Bracket		1
15	MBS1824DAS-D15	Shaft Sleeve		1
16	MBS1824DAS-D16	Bracket Shaft		2
17	MBS1824DAS-D17	Guide Carbide (LF)		1
18	MBS1824DAS-D18	Guide Carbide (LR)		1
19	MBS1824DAS-D19	Spring Pin	D5x12L	2
	MBS1824DAS-RBSA	Rear Bearing Seat Assembly (included 20~38)		1
20	MBS1824DAS-D20	Spring Pin	D5x12L	2
21	MBS1824DAS-D21	Guide Carbide (RR)		1
22	MBS1824DAS-D22	Guide Carbide (RF)		1
23	MBS1824DAS-D23	Bearing Shaft		2
24	MBS1824DAS-D24	Bearing Bracket		1
25	BB-6200ZZE	Bearing	6200	2
26	MBS1824DAS-D26	Shaft Sleeve		1
27	TS-1503051E	Hex. Socket Cap Screw	M6x20L	2
28	MBS1824DAS-D28	Right Guide Block		1
29	MBS1824DAS-D29	Nut	M10	2
30	MBS1824DAS-D30	Spring Washer	M10	2
31	MBS1824DAS-D31	Bearing Sleeve (Long)		1
32	TS-1504081E	Hex. Socket Cap Screw	M8x40L	1
33	MBS1824DAS-D33	Guide Pin		1
34	MBS1824DAS-D34	Spring		1
35	MBS1824DAS-D35	Adjusting Screw		1
36	BB-6201ZZE	Bearing	6201	4
37	MBS1824DAS-D37	Bearing Long Shaft		2
38	MBS1824DAS-D38	Bearing Sleeve (Short)		1

MBS-1824DAS Coolant System

SECTION E

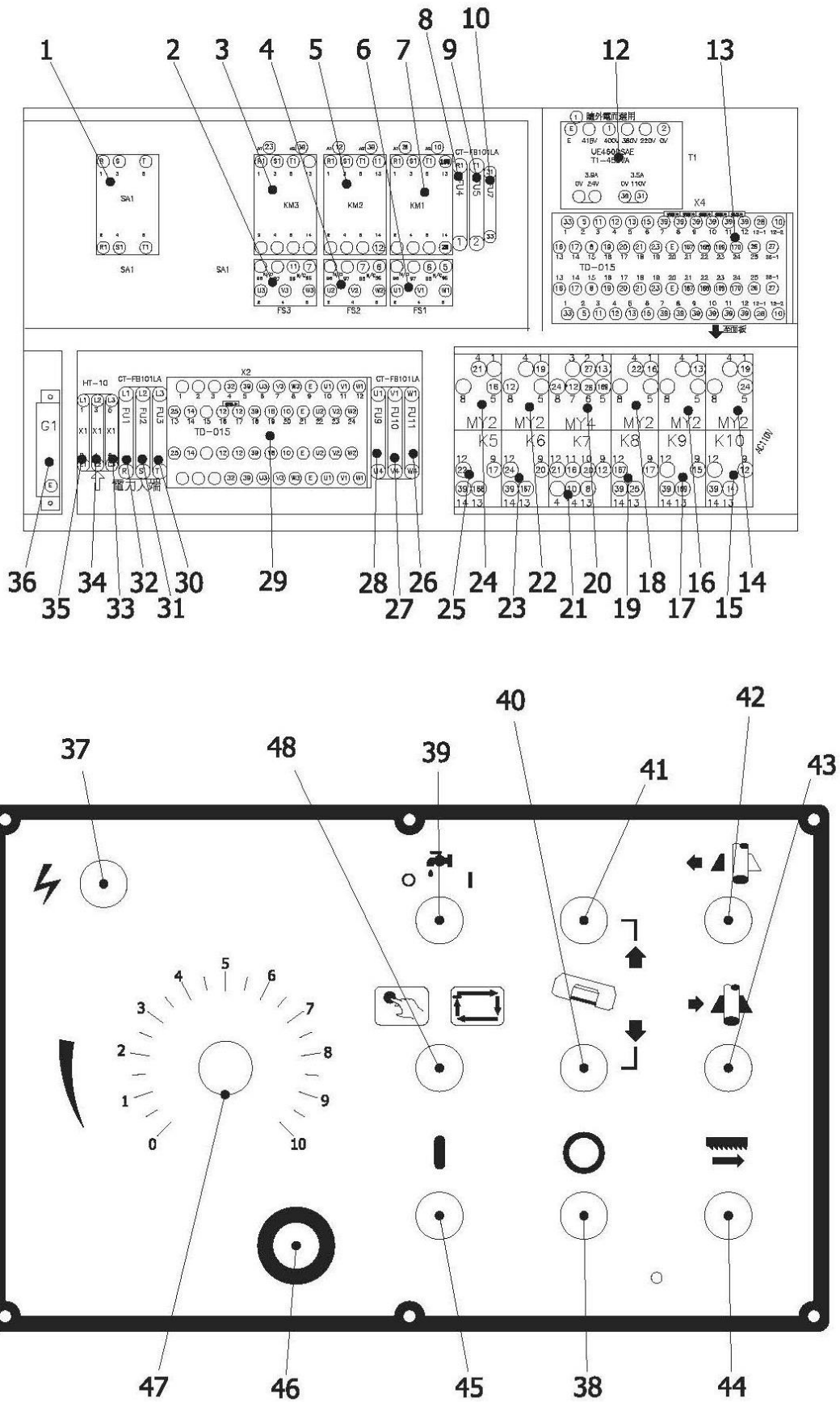


MBS-1824DAS Coolant System

Index No.	Part No.	Description	Size	Q'ty
1	MBS1824DAS-E1	Cock	1/4x1/4	1
2	MBS1824DAS-E2	Spring Washer	M12	1
3	MBS1824DAS-E3	Fixing Bracket		1
4	MBS1824DAS-E4	Fitting	1/4x1/4	1
5	MBS1824DAS-E5	Big Round Head Screw	M6x8L	2
6	MBS1824DAS-E6	Fitting	1/4x1/4	1
7	MBS1824DAS-E7	Hose	1/4"x185mm	1
8	MBS1824DAS-E8	Hose	1/4"x2215mm	1
9	MBS1824DAS-E9	Cock	1/4x1/4	1
10	MBS1824DAS-E10	Nozzle Set		1
11	MBS1824DAS-E11	Nozzle	1/4"x18"L	1
12	MBS1824DAS-E12	Y Fit		1
13	MBS1824DAS-E13	Hose	1/4"x2700mm	1
14	MBS1824DAS-E14	Hose	1/4"x1580mm	1
15	MBS1824DAS-E15	Cock	1/4x1/4	1
16	MBS1824DAS-E16	90° Fitting	1/4x1/8	1
17	MBS1824DAS-E17	Fitting	3/8x1/4	1
18	MBS1824DAS-E18	90° Fitting	3/8x1/4	1
19	MBS1824DAS-E19	Fitting Set	3/8	1
20	MBS1824DAS-E20	90° Fitting	1/2x3/8	1
21	MBS1824DAS-A98	Coolant Pump	1/6Hpx150L	1
22	MBS1824DAS-E22	Hose	1/4"x1400mm	1

MBS-1824DAS Electric Box Assembly

SECTION F

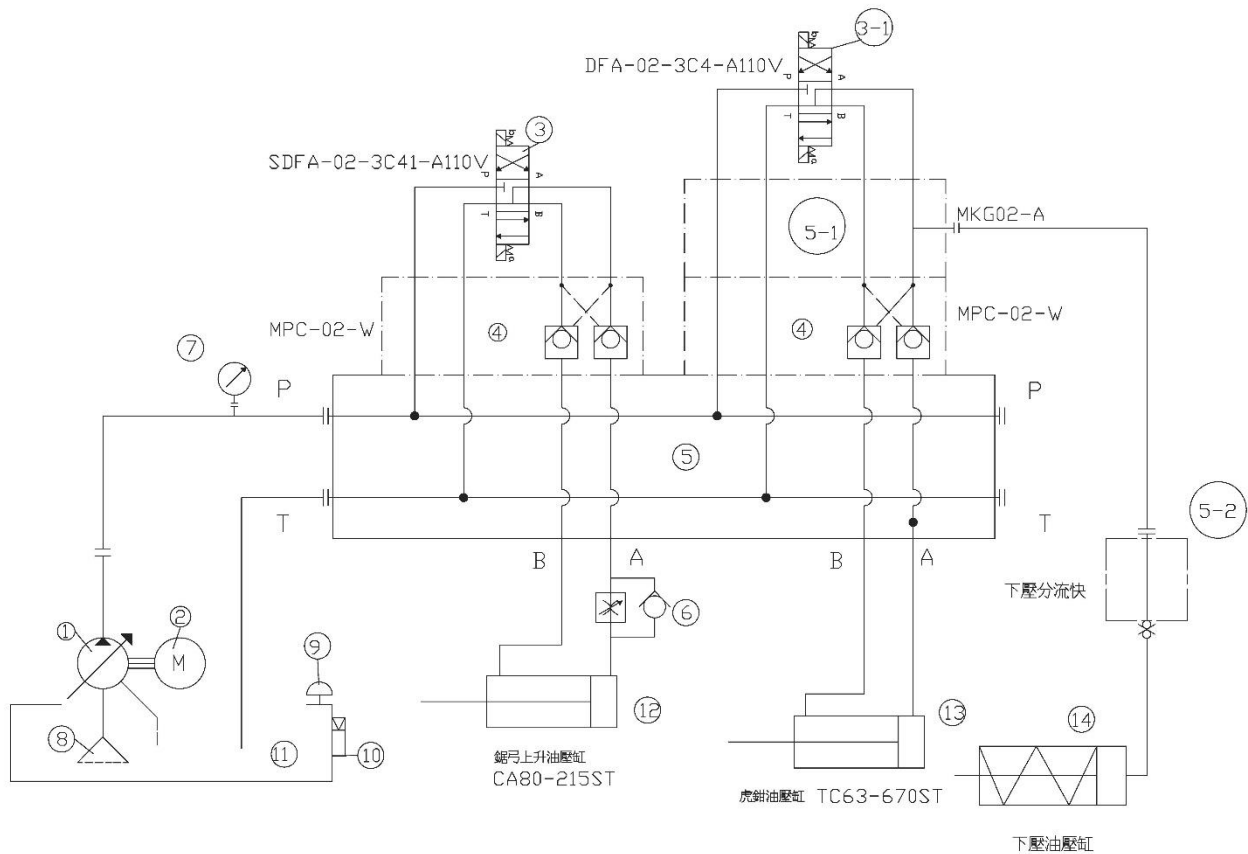


MBS-1824DAS Electric Box Assembly

Index No.	Part No.	Description	Size	Q'ty
1	MBS1824DAS-F1	Power Switch		1
2	MBS1824DAS-F2	Coolant Overload Relay	0.35~0.5A, set 0.35A	1
3	MBS1824DAS-F3	Coolant Magnetic Switch	C-09D	1
4	MBS1824DAS-F4	Hydraulic Overload Relay	1.8~2.5A, set 2.1A	1
5	MBS1824DAS-F5	Hydraulic Magnetic Switch	C-09D	1
6	MBS1824DAS-F6	Blade Overload Relay	8~11A, set 9A	1
7	MBS1824DAS-F7	Blade Magnetic Switch	C-18D	1
8	MBS1824DAS-F8	Transformer Power in Fuse	FU4, 2A	1
9	MBS1824DAS-F9	Transformer Power in Fuse	FU5, 2A	1
10	MBS1824DAS-F10	AC110V Fuse	FU7, 3.15A	1
12	MBS1824DAS-F12	Transformer	0V 400V 450VA	1
13	MBS1824DAS-F13	Terminal Block		1
14	MBS1824DAS-F14	Relay Base		1
15	MBS1824DAS-F15	Relay		1
16	MBS1824DAS-F16	Relay Base		1
17	MBS1824DAS-F17	Relay		1
18	MBS1824DAS-F18	Relay Base		1
19	MBS1824DAS-F19	Relay		1
20	MBS1824DAS-F20	Relay Base		1
21	MBS1824DAS-F21	Relay		1
22	MBS1824DAS-F22	Relay Base		1
23	MBS1824DAS-F23	Relay		1
24	MBS1824DAS-F24	Relay Base		1
25	MBS1824DAS-F25	Relay		1
26	MBS1824DAS-F26	Fuse	FU11, 1A	1
27	MBS1824DAS-F27	Fuse	FU10, 1A	1
28	MBS1824DAS-F28	Fuse	FU9, 1A	1
29	MBS1824DAS-F29	Terminal Block		1
30	MBS1824DAS-F30	Power in Fuse	FU3, 16A	1
31	MBS1824DAS-F31	Power in Fuse	FU2, 16A	1
32	MBS1824DAS-F32	Power in Fuse	FU1, 16A	1
33	MBS1824DAS-F33	Power in Terminal		1
34	MBS1824DAS-F34	Power in Terminal		1
35	MBS1824DAS-F35	Power in Terminal		1
36	MBS1824DAS-F36	Grounding Plate		1
37	MBS1824DAS-F37	Power Indicator Light		1
38	MBS1824DAS-F38	Blade Stop Button		1
39	MBS1824DAS-F39	Coolant Start Switch		1
40	MBS1824DAS-F40	Bow Down Button		1
41	MBS1824DAS-F41	Bow Up Button		1
42	MBS1824DAS-F42	Vise Open Button		1
43	MBS1824DAS-F43	Vise Close Button		1
44	MBS1824DAS-F44	Blade Start Button		1
45	MBS1824DAS-F45	Hydraulic Start Button		1
46	MBS1824DAS-F46	Emergency Stop Button		1
47	MBS1824DAS-F47	Cutting Feed Rate Valve		1
48	MBS1824DAS-F48	Select Switch		1

MBS-1824DAS Hydraulic Unit & Circuit

SECTION G



MBS-1824DAS Hydraulic Unit & Circuit

Index No.	Part No.	Description	Size	Q'ty
1	1824DAS-G1	Pump	PVF-12-35	1
2	1824DAS-G2	Motor	0.75kW 4P	1
3	1824DAS-G3A	Solenoid Valve Assembly (including Valve Body and Coils)	SDA-02-3C41-A110	1
	1824DAS-G3C	Coil with Plug (not show)	57mm	2
3-1	1824DAS-G3-1A	Solenoid Valve Assembly (including Valve Body and Coils)	DFA-02-3C4-A110	1
	1824DAS-G3-1AC	Coil with Plug (not show)	45mm	2
4	1824DAS-G4	Check Valve	MPC-02-W	2
5	1824DAS-G5	Oil Circuit Board	G02-2	1
5-1	1824DAS-G5-1	Overlay	MKG-02-A	1
5-2	1824DAS-G5-2	Shunt Block	1/4 PT	1
6	1824DAS-G6	Flow Control Valve	FCG-02	1
7	1824DAS-G7	Pressure Gauge	1/4 PT 100 Bar	1
8	1824DAS-G8	Oil Absorbing Filter	MFC-03	1
9	1824DAS-G9	Oil Injector	FB-06S	1
10	1824DAS-G10	Oil Gauge	LA-3-40	1
11	1824DAS-G11	Oil Tank	25L	1
12	1824DAS-G12	Hydraulic Cylinder	CA80-215ST	1
13	1824DAS-G13	Hydraulic Cylinder	TC63-670ST	1
14	1824DAS-G14	Press Hydraulic Cylinder (Optional)		1

MBS-1824DAS...ITA1824DAS.... 3~400V, 50Hz

CONTROL CIRCUIT DIAGRAM

