



## MBS-1824VDAS Semi-Auto Metal Bandsaw

MBS-1824VDAS.....50000322T..... 3~400V,50Hz

# PARTS LIST



**JPW Tool Group Hong Kong Limited**

98 Granville Road, Tsimshatsui East, Kowloon, Hong Kong, PRC  
[www.jettools.com](http://www.jettools.com)

**Импортер в РФ: ООО «ИТА Технолоджи»**

105082, Москва, Переведеновский пер., д. 17  
[www.jettools.ru](http://www.jettools.ru)

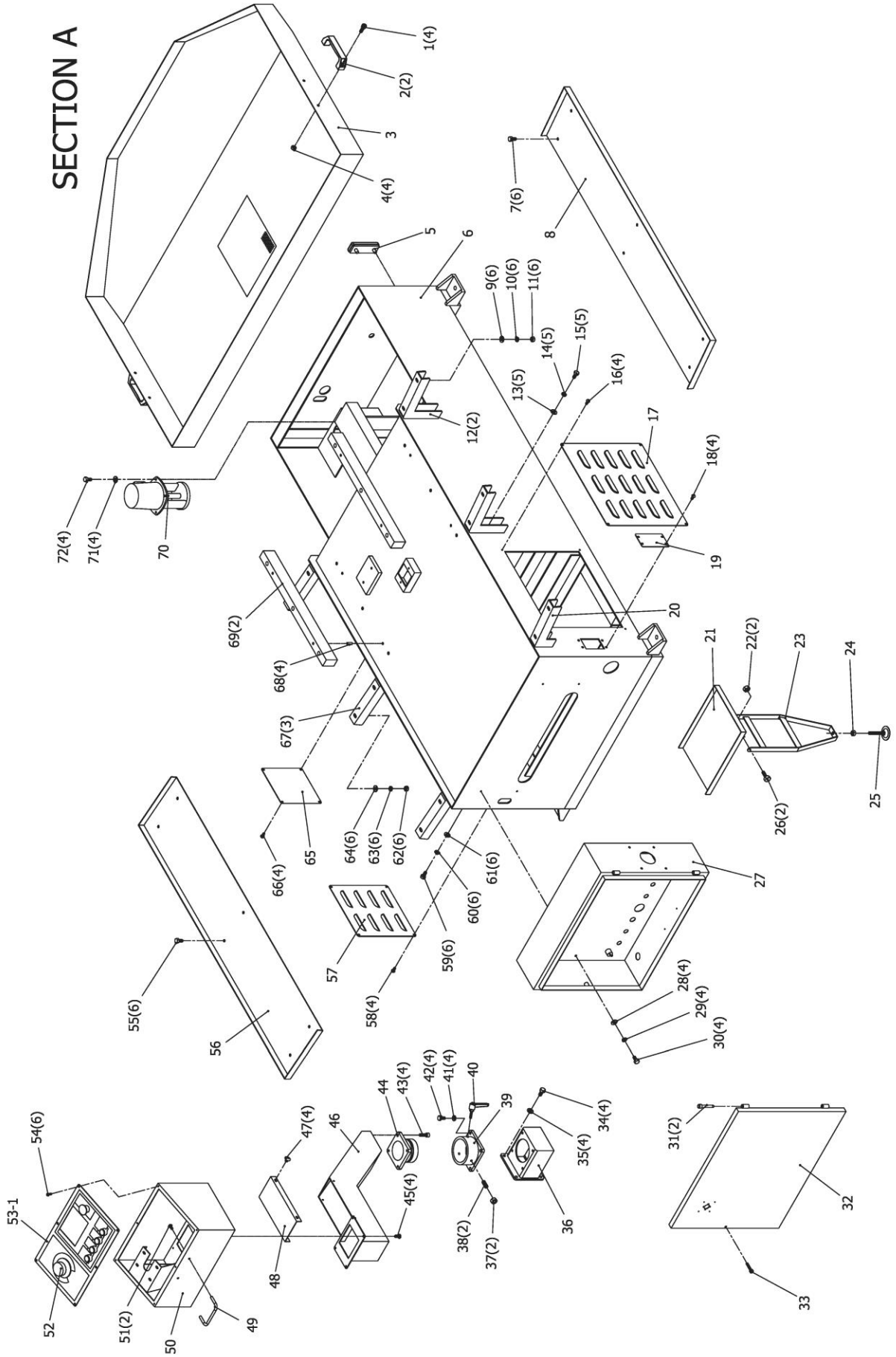
Made in Taiwan / Сделано на Тайване

P-50000322T

2023-02

# MBS-1824VDAS Stand Assembly

## SECTION A



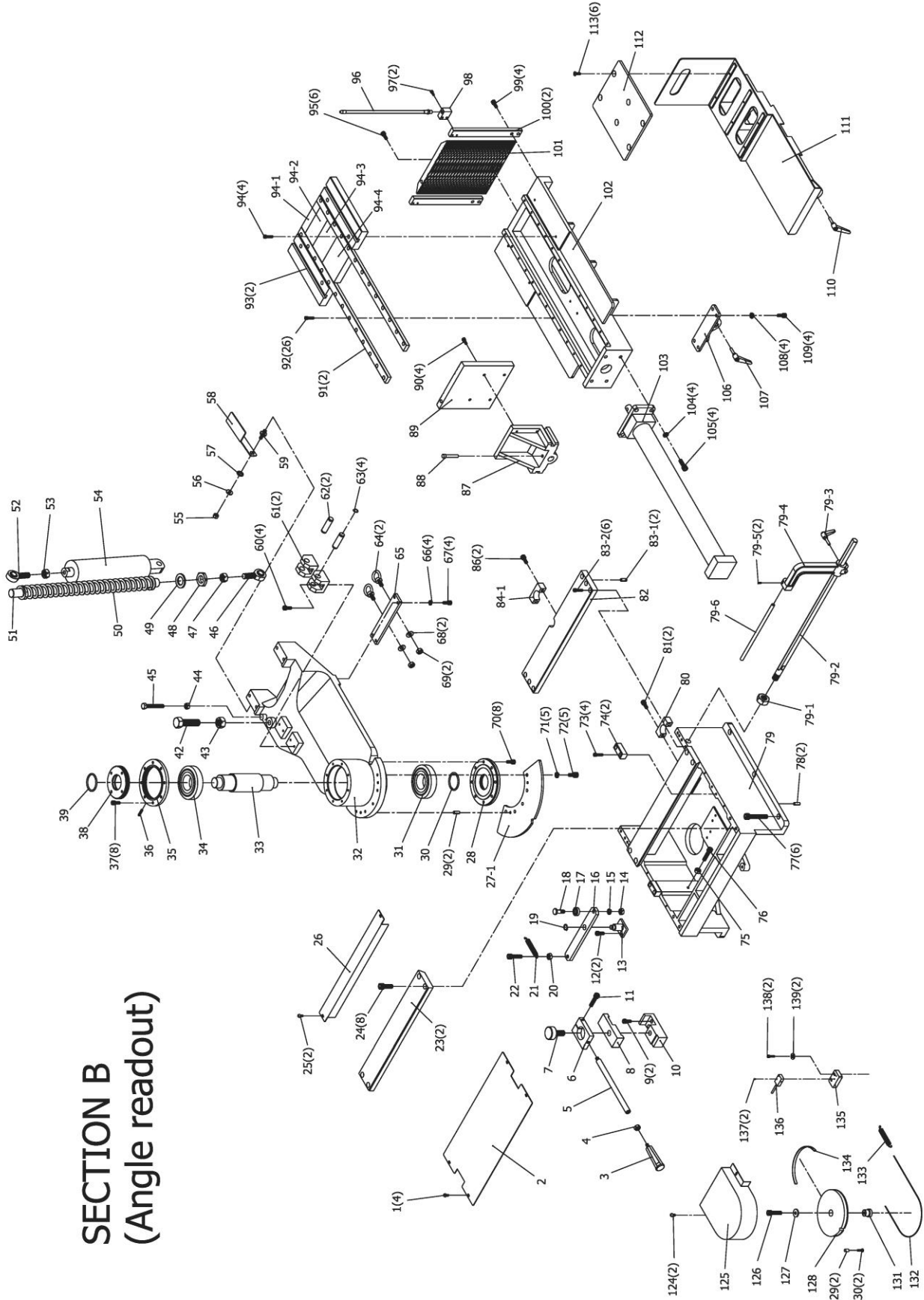
## MBS-1824VDAS Stand Assembly

Index No.	Part No.	Description	Size	Q'ty
A1	TS-1503061E	Hex. Socket Cap Screw	M6x25L	4
A2	MBS-1824VDAS-A2	Bending Handle		2
A3	MBS-1824VDAS-A3	Chip Tray		1
A4	MBS-1824VDAS-A4	Nut	M6	4
A5	MBS-1824VDAS-A5	Oil Level Gauge		1
A6	MBS-1824VDAS-A6	Machine Base		1
A7	TS-2208201E	Hex. Cap Bolt	M8x20L	6
A8	MBS-1824VDAS-A8	Coolant Tray		1
A9	MBS-1824VDAS-A9	Flat Washer	M8	6
A10	MBS-1824VDAS-A10	Spring Washer	M8	6
A11	MBS-1824VDAS-A11	Nut	M8	6
A12	MBS-1824VDAS-A12	Coolant Tray Bracket		2
A13	MBS-1824VDAS-A13	Flat Washer	M8	5
A14	MBS-1824VDAS-A14	Spring Washer	M8	5
A15	TS-2208201E	Hex. Cap Bolt	M8x20L	5
A16	TS-2246082E	Socket Head Button Screw	M6x8L	4
A17	MBS1824DAS-A42G	Cover		1
A18	TS-2246082E	Socket Head Button Screw	M6x8L	4
A19	MBS1824DAS-A54	Cover		1
A20	MBS1824DAS-A47G	Supporting Bracket		1
A21	MBS1824DAS-A55G	Movable Coolant Tray		1
A22	MBS-1824VDAS-A22	Nut	M6	2
A23	MBS1824DAS-A57G	Bracket		1
A24	MBS-1824VDAS-A24	Nut	1/2"	1
A25	MBS1824DAS-A60	Adjusting Bolt		1
A26	TS-1482021E	Hex. Cap Bolt	M6x12L	2
A27	MBS-1824VDAS-A27	Electrical Box		1
A28	MBS-1824VDAS-A28	Flat Washer	M6	4
A29	MBS-1824VDAS-A29	Spring Washer	M6	4
A30	TS-1482031E	Hex. Cap Bolt	M6x16L	4
A31	MBS-1824VDAS-A31	Electrical Box Door Pin		2
A32	MBS-1824VDAS-A32	Electrical Box Cover		1
A33	TS-1503071E	Hex. Socket Cap Screw	M6x30L	1
A34	TS-2228161E	Hex. Cap Bolt	M8x16L	4
A35	MBS-1824VDAS-A35	Spring Washer	M8	4
A36	MBS1824DAS-A70G	Fixing Bracket		1
A37	MBS-1824VDAS-A37	Nut	M6	2
A38	TS-1523081E	Set Screw	M6x30L	2
A39	MBS1824DAS-A73G	Shaft Bushing		1
A40	MBS1824DAS-A74	Locking Handle	M8x30L	1
A41	MBS-1824VDAS-A41	Spring Washer	M8	4
A42	TS-2228161E	Hex. Cap Bolt	M8x16L	4
A43	TS-1482031E	Hex. Cap Bolt	M6x16L	4
A44	MBS1824DAS-A78G	Swiveling Shaft		1
A45	TS-2246082E	Socket Head Button Screw	M6x8L	4
A46	MBS-1824VDAS-A46	Control Box Bracket		1
A47	MBS-1824VDAS-A47	Big Round Head Screw	M6x8L	4
A48	MBS-1824VDAS-A48	Control Box Bracket Cover		1
A49	MBS-1824VDAS-A49	□ Type Handle	A-42-C	1
A50	MBS-1824VDAS-A50	Control Box		1
A51	MBS-1824VDAS-A51	Round Head Screw	M5x8L	2
A52	MBS-1824VDAS-A52	Down Speed Valve Knob		1
A53-1	MBS-1824VDAS-A53-1	Control Panel		1
A54	MBS-1824VDAS-A54	Socket Head Button Screw	M5x8L	6
A55	TS-2208201E	Hex. Cap Bolt	M8x20L	6
A56	MBS-1824VDAS-A56	Coolant Tray		1
A57	MBS1824DAS-A89G	Hydraulic Rear Cover		1
A58	TS-2246082E	Socket Head Button Screw	M6x8L	4
A59	TS-2208201E	Hex. Cap Bolt	M8x20L	6
A60	MBS-1824VDAS-A60	Spring Washer	M8	6
A61	MBS-1824VDAS-A61	Flat Washer	M8	6

## MBS-1824VDAS Stand Assembly

Index No.	Part No.	Description	Size	Q'ty
A62	MBS-1824VDAS-A62	Nut	M8	6
A63	MBS-1824VDAS-A63	Spring Washer	M8	6
A64	MBS-1824VDAS-A64	Flat Washer	M8	6
A65	MBS-1824VDAS-A65	Machine Base Seal Plate		1
A66	TS-2246082E	Socket Head Button Screw	M6x8L	4
A67	MBS1824DAS-A90G	Coolant Tray Bracket		3
A68	MBS-1824VDAS-A68	Spring Pin	D8x20L	4
A69	MBS-1824VDAS-A69	Cutting Table Plate		2
A70	MBS1824DAS-A98	Coolant Pump	0.12kW 150L	1
A71	MBS-1824VDAS-A71	Spring Washer	M6	4
A72	TS-1482031E	Hex. Cap Bolt	M6x16L	4

# MBS-1824VDAS Rotary Mechanism Assembly



## SECTION B (Angle readout)

## MBS-1824VDAS Rotary Mechanism Assembly

Index No.	Part No.	Description	Size	Q'ty
B1.....	MBS-1824VDAS-B1 .....	Socket Head Button Screw .....	M5x8L .....	4
B2.....	MBS-1824VDAS-B2 .....	Cutting Table Hood A.....		1
B3.....	MBS-1824VDAS-B3 .....	Saw Frame Handle .....		1
B4.....	MBS-1824VDAS-B4 .....	Nut .....	M12 .....	1
B5.....	MBS1824DAS-B17.....	Locking Rod .....		1
B6.....	MBS1824DAS-B16.....	Connecting Block.....		1
B7.....	MBS1824DAS-B14.....	Locking Bolt.....		1
B8.....	MBS1824DAS-B22.....	Brake Bracket.....		1
B9.....	TS-1504041E.....	Hex. Socket Cap Screw .....	M8x20L.....	2
B10.....	MBS1824DAS-B22.....	Brake Bracket.....		1
B11.....	TS-1505081E .....	Hex. Socket Cap Screw .....	M10x50L.....	1
B12.....	TS-1504051E .....	Hex. Socket Cap Screw .....	M8x25L.....	2
B13.....	MBS1824DAS-B7.....	Cam Bracket.....		1
B14.....	MBS-1824VDAS-B14 .....	Nut .....	M10 .....	1
B15.....	MBS-1824VDAS-B15 .....	Spring Washer .....	M10 .....	1
B16.....	MBS-1824VDAS-B16 .....	Cam Joint Plate .....		1
B17.....	BB-6000ZZE .....	Bearing.....	6000 .....	1
B18.....	MBS1824DAS-B3.....	Cam Shaft .....		1
B19.....	MBS-1824VDAS-B19 .....	Ring.....	S16.....	1
B20.....	MBS-1824VDAS-B20 .....	Nut .....	M10 .....	1
B21.....	MBS1824DAS-B11.....	Cam Spring .....		1
B22.....	TS-1505061E .....	Hex. Socket Cap Screw .....	M10x40L.....	1
B23.....	MBS-1824VDAS-B23 .....	Vise Seat Guide Plate .....		2
B24.....	TS-1506041E .....	Hex. Socket Cap Screw .....	M12x35L.....	8
B25.....	MBS-1824VDAS-B25 .....	Socket Head Button Screw .....	M5x8L .....	2
B26.....	MBS-1824VDAS-B26 .....	Cutting Table Hood B.....		1
B27-1.....	MBS-1824VDAS-B27-1 .....	Angle Locking Plate .....		1
B28.....	MBS1824DAS-B52.....	Lower Cover .....		1
B29.....	MBS-1824VDAS-B29 .....	Spring Pin.....	D8x20L.....	2
B30.....	MBS1824DAS-B60.....	Oil Ring .....	P60 .....	1
B31.....	MBS-1824VDAS-B31 .....	Bearing.....	30312 .....	1
B32.....	MBS-1824VDAS-B32 .....	Rotary Disc Seat.....		1
B33.....	MBS-1824VDAS-B33 .....	Rotary Disc Center Shaft .....		1
B34.....	MBS-1824VDAS-B34 .....	Bearing.....	30312 .....	1
B35.....	MBS1824DAS-B56.....	Upper Cover .....		1
B36.....	TS-1523071E .....	Set Screw.....	M6x25L.....	1
B37.....	TS-1504041E .....	Hex. Socket Cap Screw .....	M8x20L.....	8
B38.....	MBS1824DAS-B59.....	Tighten Plate .....		1
B39.....	MBS-1824VDAS-B39 .....	Oil Ring .....	P60.....	1
B42.....	MBS-1824VDAS-B42 .....	Hex. Cap Bolt .....	M20x65L.....	1
B43.....	MBS-1824VDAS-B43 .....	Nut .....	M20 .....	1
B44.....	TS-1491101E .....	Hex. Cap Bolt .....	M10x60L.....	1
B45.....	MBS-1824VDAS-B45 .....	Nut .....	M10 .....	1
B46.....	MBS-1824VDAS-B46 .....	Fish Eye Bearing .....	Pos20 .....	1
B47.....	MBS-1824VDAS-B47 .....	Nut .....	M20x1.5.....	1
B48.....	MBS-1824VDAS-B48 .....	Spring Adjustment Nut.....		1
B49.....	MBS-1824VDAS-B49 .....	Spring Adjustment Washer .....		1
B50.....	MBS-1824VDAS-B50 .....	Counter Pressure Spring .....		1
B51.....	MBS-1824VDAS-B51 .....	Spring Center Shaft .....		1
B52.....	MBS-1824VDAS-B52 .....	Fish Eye Bearing .....	Pos20 .....	1
B53.....	MBS-1824VDAS-B53 .....	Nut .....	M20x1.5.....	1
B54.....	MBS-1824VDAS-B54 .....	Saw Frame Cylinder .....		1
B55.....	MBS-1824VDAS-B55 .....	Nylon Nut.....	M10 .....	1
B56.....	MBS1824DAS-B66.....	Washer.....		1
B57.....	MBS1824DAS-B67.....	Washer.....		1
B58.....	MBS1824DAS-B68.....	Position Adjusting Plate .....		1
B59.....	MBS-1824VDAS-B59 .....	Upper Limit Locating Screw .....		1
B60.....	TS-1504041E .....	Hex. Socket Cap Screw .....	M8x20L.....	4
B61.....	MBS1824DAS-C77 .....	Lower Bracket.....		2
B62.....	MBS1824DAS-C76 .....	Lower Shaft .....		2

## MBS-1824VDAS Rotary Mechanism Assembly

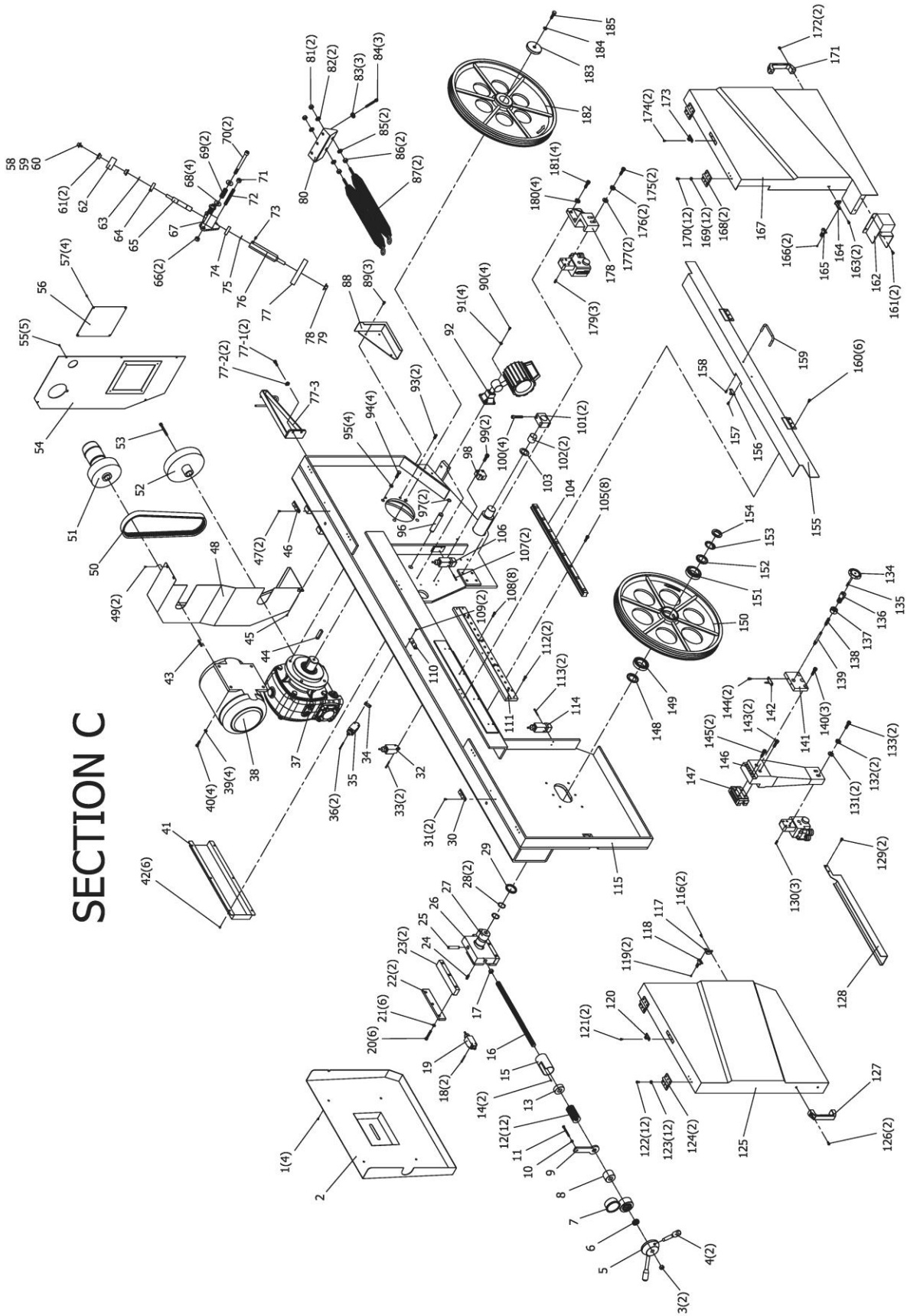
Index No.	Part No.	Description	Size	Q'ty
B63	MBS-1824VDAS-B63	Ring	S20	4
B64	MBS-1824VDAS-B64	Suspension Ring Screw	1/2"x50L	2
B65	MBS1824DAS-B78-1	Lower Bracket		1
B66	MBS-1824VDAS-B66	Spring Washer	M8	4
B67	TS-1504051E	Hex. Socket Cap Screw	M8x25L	4
B68	MBS-1824VDAS-B68	Flat Washer	1/2"	2
B69	MBS-1824VDAS-B69	Nut	1/2"	2
B70	TS-1504041E	Hex. Socket Cap Screw	M8x20L	8
B71	MBS-1824VDAS-B71	Spring Washer	M10	5
B72	TS-1505021E	Hex. Socket Cap Screw	M10x20L	5
B73	TS-1504051E	Hex. Socket Cap Screw	M8x25L	4
B74	MBS-1824VDAS-B74	Vise Seat Stopper		2
B75	MBS-1824VDAS-B75	Nut	M10	1
B76	TS-1505061E	Hex. Socket Cap Screw	M10x40L	1
B77	TS-1506131E	Hex. Socket Cap Screw	M12x80L	6
B78	MBS-1824VDAS-B78	Spring Pin	8x20L	2
B79	MBS-1824VDAS-B79	Cutting Table		1
B79-1	MBS-1824VDAS-B79-1	Nut	7/8"x14W	1
B79-2	MBS-1824VDAS-B79-2	Length Rod		1
B79-3	MBS1824DAS-A16	Locking Handle		1
B79-4	MBS-1824VDAS-B79-4	Length Rod Lever		1
B79-5	TS-1523041E	Set Screw	M6x12L	2
B79-6	MBS-1824VDAS-B79-6	Length Top Shaft		1
B80	MBS1824DAS-B41	Fixing Block		1
B81	TS-1505051E	Hex. Socket Cap Screw	M10x35L	2
B82	MBS-1824VDAS-B82	Rotary Disc Plate (Upper)		1
B83-1	MBS-1824VDAS-B83-1	Spring Pin	8x15L	2
B83-2	TS-1505031E	Hex. Socket Cap Screw	M10x25L	6
B84-1	MBS-1824VDAS-B84-1	Rotary Disc Center Shaft Fixed Block		1
B86	TS-1505041E	Hex. Socket Cap Screw	M10x30L	2
B87	MBS-1824VDAS-B87	Front Vise		1
B88	MBS-1824VDAS-B88	Vise Locating Pin		1
B89	MBS-1824VDAS-B89	Front Vise Lining Plate		1
B90	TS-1504051E	Hex. Socket Cap Screw	M8x25L	4
B91	MBS-1824VDAS-B91	Vise Steel Plate		2
B92	TS-1504041E	Hex. Socket Cap Screw	M8x20L	26
B93	MBS-1824VDAS-B93	Vise Lining Plate		2
B94	TS-1504071E	Hex. Socket Cap Screw	M8x35L	4
B94-1	MBS-1824VDAS-B94-1	Attached Plate (1)		1
B94-2	MBS-1824VDAS-B94-2	Attached Plate (2)		1
B94-3	MBS-1824VDAS-B94-3	Attached Plate (3)		1
B94-4	MBS-1824VDAS-B94-4	Attached Plate (4)		1
B95	TS-1505041E	Hex. Socket Cap Screw	M10x30L	6
B96	MBS-1824VDAS-B96	Oil Pipe	Sp103-1/4"*30"	1
B97	TS-1503071E	Hex. Socket Cap Screw	M6x30L	2
B98	MBS1824DAS-B72	Hose Seat		1
B99	TS-1505041E	Hex. Socket Cap Screw	M10x30L	4
B100	MBS-1824VDAS-B100	Rear Vise Attached Plate		2
B101	MBS-1824VDAS-B101	Rear Vise		1
B102	MBS-1824VDAS-B102	Vise Seat		1
B103	MBS-1824VDAS-B103	Vise Cylinder		1
B104	MBS-1824VDAS-B104	Spring Washer	M14	4
B105	MBS-1824VDAS-B105	Hex. Socket Cap Screw	M14x35L	4
B106	MBS-1824VDAS-B106	Vise Seat Fixture		1
B107	MBS1824DAS-B154	Handle	TRT80 M12x50L	1
B108	MBS-1824VDAS-B108	Spring Washer	M10	4
B109	TS-1505031E	Hex. Socket Cap Screw	M10x25L	4
B110	MBS1824DAS-B154	Handle	TRT80 M12x50L	1
B111	MBS-1824VDAS-B111	Retrieval Table Bracket		1
B112	MBS-1824VDAS-B112	Retrieval Table Bracket Lateral Plate		1

Index No.	Part No.	Description	Size	Q'ty
B113	MBS-1824VDAS-B113	Flat Head Screw	M8x20L	6
B124	TS-2246082E	Half Button Head Socket Screw	M6x8L	2
B125	MBS-1824VDAS-B125	Magnetic Scale Cover		1
B126	TS-2249402E	Half Button Head Socket Screw	M10x40L	1
B127	MBS-1824VDAS-B127	Flat Washer	M10	1
B128	MBS-1824VDAS-B128	Angle Wheel		1
B129	MBS-1824VDAS-B129	Steel Wire Rope Bunch		2
B130	TS-1481041E	Hex. Cap Bolt	M5x16L	2
B131	MBS-1824VDAS-B131	Angle Wheel Bushing		1
B132	MBS-1824VDAS-B132	Steel Wire Rope		1
B133	MBS-1824VDAS-B133	Angle Spring		1
B134	MBS-1824VDAS-B134	Magnetic Scale	5mm PS-A-330	1
B135	MBS-1824VDAS-B135	Magnetic Scale Positioning Block		1
B136	MBS-1824VDAS-B136	Magnetic Scale Read Head	MTSH10C528VL	1
B137	MBS-1824VDAS-B137	Round Head Screw	M3x12L	2
B138	TS-1503061E	Hex. Soc Cap Screw	M6x25L	2
B139	MBS-1824VDAS-B139	Flat Washer	M6	2
	MBS1824DAS-B155	Hydraulic Vertical Press Device (Optional) (Not Shown)		



# MBS-1824VDAS Bow Assembly

## SECTION C



## MBS-1824VDAS Bow Assembly

Index No.	Part No.	Description	Size	Q'ty
C1	MBS-1824VDAS-C1	Socket Head Button Screw		4
C2	MBS-1824VDAS-C2	Idle Wheel Cover		1
C3	MBS-1824VDAS-C3	Nut	M20	2
C4	MBS-1824VDAS-C4	Wheel Handle		2
C5	MBS-1824VDAS-C5	Slide Wheel		1
C6	BB-51105E	Bearing	51105	1
C7	MBS1824DAS-C125	Blade Tension Gauge		1
C8	MBS1824DAS-C126	Screw Bushing		1
C9	MBS1824DAS-C127	Plate		1
C10	MBS-1824VDAS-C10	Nut	M8	1
C11	TS-1490111E	Hex. Cap Bolt	M8x60L	1
C12	MBS1824DAS-C131	Disc Spring		12
C13	MBS-1824VDAS-C13	Blade Tension Bushing		1
C14	MBS-1824VDAS-C14	Spring Pin	5x12L	2
C15	MBS1824DAS-C133	Spring Bush		1
C16	MBS-1824VDAS-C16	Thread	M20x425L	1
C17	MBS-1824VDAS-C17	Nut	M20	1
C18	TS-1501091E	Hex. Soc Cap Screw	M4x35L	2
C19	MBS-1824VDAS-C19	Limit Switch	AZD-1001T	1
C20	TS-1505101E	Hex. Soc Cap Screw	M10x60L	6
C21	MBS-1824VDAS-C21	Spring Washer	M10	6
C22	MBS1824DAS-C143	Slide Plate		2
C23	MBS1824DAS-C142	Slide Guide		2
C24	TS-1526041E	Set Screw	M12x25L	1
C25	MBS1824DAS-C140	Pin		1
C26	MBS1824DAS-C139	Slide		1
C27	MBS1824DAS-C138	Idle Wheel Shaft Set		1
C28	MBS-1824VDAS-C28	Ring	S45	2
C29	MBS1824DAS-C136	Idle Wheel Washer		1
C30	MBS-1824VDAS-C30	Brass Double Ball Catch		1
C31	MBS-1824VDAS-C31	Flat Head Screw	M4x6L	2
C32	MBS-1824VDAS-C32	Safety Switch	ED-1-3-31	1
C33	TS-1501091E	Hex. Soc Cap Screw	M4x35L	2
C34	MBS-1824VDAS-C34	Limit Switch Plate		1
C35	MBS1824DAS-C150	Limit Switch	ED-1-3-32	1
C36	TS-1501091E	Hex. Soc Cap Screw	M4x35L	2
C37	MBS-1824VDAS-C37	Gear Box	120#1/40	1
C38	MBS-1824VDAS-C38	Motor	3.7kW 50Hz	1
C39	MBS-1824VDAS-C39	Spring Washer	M10	4
C40	TS-1491041E	Hex. Cap Bolt	M10x30L	4
C41	MBS-1824VDAS-C41	Wire Cover		1
C42	TS-2246082E	Socket Head Button Screw	M6x8L	6
C43	MBS-1824VDAS-C43	Key	10x8x40	1
C44	MBS-1824VDAS-C44	Key	14x9x50	1
C45	MBS-1824VDAS-C45	Socket Head Button Screw	M5x8L	1
C46	MBS-1824VDAS-C46	Brass Double Ball Catch		1
C47	MBS-1824VDAS-C47	Flat Head Screw	M4x6L	2
C48	MBS-1824VDAS-C48	Pulley Box	120 Type	1
C49	MBS-1824VDAS-C49	Socket Head Button Screw	M5x8L	2
C50	MBS1824DAS-C162	Belt	1922V504	1
C51	MBS1824DAS-C163	Speed Controlled Wheel (Variable)		1
C52	MBS1824DAS-C164	Speed Controlled Wheel (Fixing)		1
C53	MBS1824DAS-C165	Hex. Soc Cap Screw	M8x65L	1
C54	MBS-1824VDAS-C54	Pulley Box Cover		1
C55	MBS-1824VDAS-C55	Socket Head Button Screw	M5x8L	5
C56	MBS-1824VDAS-C56	Pulley Box Sealing Plate		1
C57	MBS-1824VDAS-C57	Socket Head Button Screw	M5x8L	4
C58	TS-0207021E	Hex. Soc Cap Screw	1/4"x1/2"L	1
C59	MBS-1824VDAS-C59	Spring Washer	1/4"	1
C60	MBS-1824VDAS-C60	Flat Washer	1/4"	1

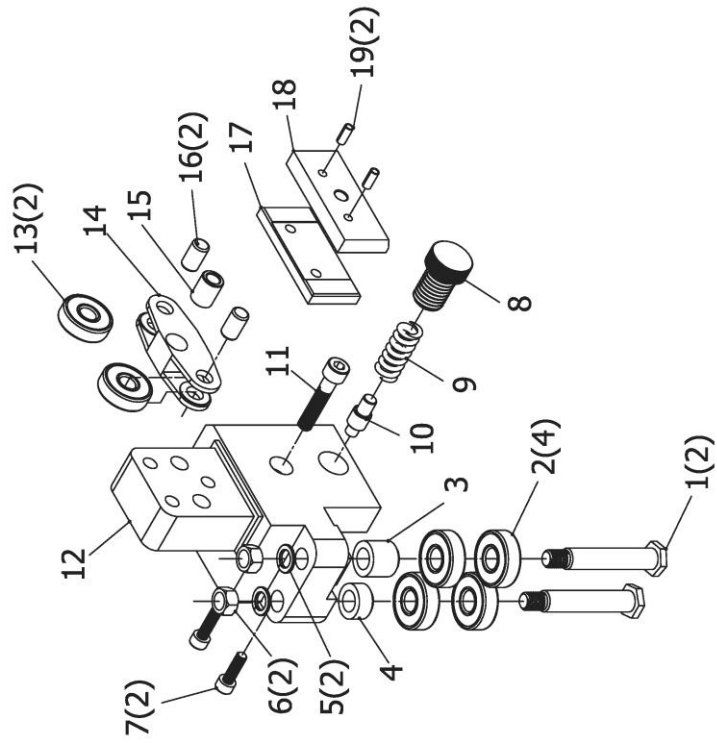
Index No.	Part No.	Description	Size	Q'ty
C61.....	MBS-1824VDAS-C61	Brush Driving Wheel Bushing.....		2
C62.....	MBS-1824VDAS-C62	Brush Driving Wheel.....		1
C63.....	MBS-1824VDAS-C63	Ring.....	S15	1
C64.....	BB-6002ZZE	Bearing.....	6002	1
C65.....	MBS-1824VDAS-C65	Brush Shaft.....		1
C66.....	MBS-1824VDAS-C66	Nut.....	M10	2
C67.....	MBS-1824VDAS-C67	Brush Bracket.....		1
C68.....	MBS-1824VDAS-C68	Flat Washer.....	M10	4
C69.....	MBS-1824VDAS-C69	Brush Bracket Spring.....		2
C70.....	MBS-1824VDAS-C70	Hex. Soc Cap Screw.....	M10	2
C71.....	MBS-1824VDAS-C71	Nut.....	M10	1
C72.....	MBS-1824VDAS-C72	Set Screw.....	1/2"	1
C73.....	TS-1523011E	Set Screw.....	M6x6L	1
C74.....	BB-6002ZZE	Bearing.....	6002	1
C75.....	MBS-1824VDAS-C75	Ring.....	S15	1
C76.....	MBS-1824VDAS-C76	Brush Coupling Shaft.....		1
C77.....	MBS1824DAS-C45	Brush.....	3"	1
C77-1	TS-1504051E	Hex. Soc Cap Screw.....	M8x25L	2
C77-2	MBS-1824VDAS-C77-2	Spring Washer.....	M8	2
C77-3	MBS-1824VDAS-C77-3	Guard Tube Bracket.....		1
C78.....	MBS-1824VDAS-C78	Flat Washer.....	M10	1
C79.....	MBS-1824VDAS-C79	Nut.....	M10	1
C80.....	MBS1824DAS-C39-1	Upper Bracket.....		1
C81.....	MBS-1824VDAS-C81	Nut.....	1/2"	2
C82.....	MBS-1824VDAS-C82	Flat Washer.....	1/2"	2
C83.....	MBS-1824VDAS-C83	Spring Washer.....	M10	3
C84.....	TS-1505031E	Hex. Soc Cap Screw.....	M10x25L	3
C85.....	MBS-1824VDAS-C85	Flat Washer.....	1/2"	2
C86.....	MBS-1824VDAS-C86	Nut.....	1/2"	2
C87.....	MBS-1824VDAS-C87	Tension Spring.....	9.0x56x54N	2
C88.....	MBS-1824VDAS-C88	Saw Frame Bracket.....		1
C89.....	TS-2246082	Socket Head Button Screw.....	M6x8L	3
C90.....	TS-1503041E	Hex. Soc Cap Screw.....	M6x16L	4
C91.....	MBS-1824VDAS-C91	Spring Washer.....	M6	4
C92.....	MBS-1824VDAS-C92	Work Lamp.....	JW-55SB 24V	1
C93.....	TS-1526021E	Set Screw.....	M12x16L	2
C94.....	TS-2211451E	Hex. Cap Bolt.....	M12x45L	4
C95.....	MBS-1824VDAS-C95	Spring Washer.....	M12	4
C96.....	MBS1824DAS-C79	Upper Shaft.....		1
C97.....	MBS-1824VDAS-C97	Ring.....	S20	2
C98.....	MBS-1824VDAS-C98	T- Joint Bushing.....		1
C99.....	TS-1503061E	Hex. Soc Cap Screw.....	M6x25L	2
C100.....	TS-1506111E	Hex. Soc Cap Screw.....	M12x70L	4
C101.....	MBS-1824VDAS-C101	Saw Frame Fulcrum Bushing.....		2
C102.....	MBS1824DAS-C152	Oilless Bearing.....	4040	2
C103.....	MBS1824DAS-C75	Shaft Washer.....		1
C104.....	MBS-1824VDAS-C104	Linear Guide.....	MSA30S 600MM	1
C105.....	TS-1504051E	Hex. Soc Cap Screw.....	M8x25L	8
C106.....	MBS-1824VDAS-C106	Limit Switch.....	EK-1-15-R	1
C107.....	TS-1501091E	Hex. Soc Cap Screw.....	M4x35L	2
C108.....	TS-1503041E	Hex. Soc Cap Screw.....	M6x16L	8
C109.....	MBS-1824VDAS-C109	Flat Head Screw.....	M4x6L	2
C110.....	MBS-1824VDAS-C110	Brass Double Ball Catche.....		1
C111.....	MBS-1824VDAS-C111	Guide Post Steel Plate.....		1
C112.....	TS-1503011E	Hex. Soc Cap Screw.....	M6x8L	2
C113.....	TS-1501091E	Hex. Soc Cap Screw.....	M4x35L	2
C114.....	MBS-1824VDAS-C114	Limit Switch.....	EK-1-15-R	1
C115.....	MBS-1824VDAS-C115	Saw Frame.....		1
C116.....	MBS-1824VDAS-C116	Socket Head Button Screw.....	M5x8L	2
C117.....	MBS-1824VDAS-C117	Limit Switch Bracket.....		1
C118.....	MBS-1824VDAS-C118	Limit Switch Pin.....		1

Index No.	Part No.	Description	Size	Q'ty
C119.....	MBS-1824VDAS-C119	Round Head Screw.....	M4x6L.....	2
C120.....	MBS-1824VDAS-C120	Brass Double Ball Catche.....		1
C121.....	MBS-1824VDAS-C121	Flat Head Screw.....	M4x6L.....	2
C122.....	TS-2246122E.....	Socket Head Button Screw.....	M6x12L.....	12
C123.....	MBS-1824VDAS-C123	Spring Washer.....	M6.....	12
C124.....	MBS-1824VDAS-C124	Aluminum Hinge.....	BI-70-55.....	2
C125.....	MBS-1824VDAS-C125	Idle Wheel Cover.....		1
C126.....	TS-1503061E.....	Hex. Soc Cap Screw.....	M6x25L.....	2
C127.....	MBS-1824VDAS-C127	Bending Handle.....		1
C128.....	MBS-1824VDAS-C128	Blade Guard-Left.....		1
C129.....	F009884E.....	Socket Head Button Screw.....	M5x8L.....	2
C130.....	TS-1524041E.....	Set Screw.....	M8x16L.....	3
C131.....	MBS-1824VDAS-C131	Flat Washer.....	M10.....	2
C132.....	MBS-1824VDAS-C132	Spring Washer.....	M10.....	2
C133.....	TS-1505051E.....	Hex. Soc Cap Screw.....	M10x35L.....	2
C134.....	MBS-1824VDAS-C134	Guide Post Wheel.....		1
C135.....	MBS-1824VDAS-C135	Spring Pin.....	M3x16L.....	1
C136.....	MBS-1824VDAS-C136	Guide Post Screw Seat.....		1
C137.....	MBS-1824VDAS-C137	Nut.....	M20.....	1
C138.....	MBS-1824VDAS-C138	Spring.....		1
C139.....	MBS-1824VDAS-C139	Guide Post Pin.....		1
C140.....	TS-1505021E.....	Hex. Soc Cap Screw.....	M10x20L.....	3
C141.....	MBS-1824VDAS-C141	Guide Post Locking Plate.....		1
C142.....	MBS-1824VDAS-C142	Guide Post Pointer.....		1
C143.....	TS-1504101E.....	Hex. Soc Cap Screw.....	M8x50L.....	2
C144.....	F009884E.....	Socket Head Button Screw.....	M5x8L.....	2
C145.....	TS-1504071E.....	Hex. Soc Cap Screw.....	M8x35L.....	2
C146.....	MBS-1824VDAS-C146	Guide Post-Left.....		1
C147.....	MBS-1824VDAS-C147	Linear Guide.....	MSA30S.....	1
C148.....	MBS1824DAS-C101.....	Shaft Cover.....		1
C149.....	MBS-1824VDAS-C149	Bearing.....	32009.....	1
C150.....	MBS1824DAS-C102.....	Idle Wheel.....		1
C151.....	MBS-1824VDAS-C151	Bearing.....	32009.....	1
C152.....	MBS-1824VDAS-C152	Bearing Cover.....		1
C153.....	MBS-1824VDAS-C153	Star Washer.....	AW09.....	1
C154.....	MBS-1824VDAS-C154	Bearing Nut.....	AN09.....	1
C155.....	MBS-1824VDAS-C155	Blade Guard.....		1
C156.....	MBS-1824VDAS-C156	Brass Double Ball Catche.....		1
C157.....	MBS-1824VDAS-C157	Flat Head Screw.....	M4x6L.....	2
C158.....	MBS-1824VDAS-C158	Round Head Screw.....	M5x8L.....	2
C159.....	MBS-1824VDAS-C159	∩ type Handle.....	A-42-C.....	1
C160.....	F009884E.....	Socket Head Button Screw.....	M5x8L.....	6
C161.....	F009884E.....	Socket Head Button Screw.....	M5x8L.....	2
C162.....	MBS-1824VDAS-C162	Blade Guard-Right.....		1
C163.....	F009884E.....	Socket Head Button Screw.....	M5x8L.....	2
C164.....	MBS-1824VDAS-C164	Limit Switch Bracket.....		1
C165.....	MBS-1824VDAS-C165	Limit Switch Pin.....		1
C166.....	MBS-1824VDAS-C166	Round Head Screw.....	M4x6L.....	2
C167.....	MBS-1824VDAS-C167	Drive Wheel Cover.....		1
C168.....	MBS-1824VDAS-C168	Aluminum Hinge.....	BI-70-55 Black.....	2
C169.....	MBS-1824VDAS-C169	Spring Washer.....	M6.....	12
C170.....	TS-2246122E.....	Socket Head Button Screw.....	M6x12L.....	12
C171.....	MBS-1824VDAS-C171	Bending Handle.....		1
C172.....	TS-1503061E.....	Hex. Soc Cap Screw.....	M6x25L.....	2
C173.....	MBS-1824VDAS-C173	Brass Double Ball Catch.....		1
C174.....	MBS-1824VDAS-C174	Flat Head Screw.....	M4x6L.....	2
C175.....	TS-1505051E.....	Hex. Soc Cap Screw.....	M10x35L.....	2
C176.....	MBS-1824VDAS-C176	Spring Washer.....	M10.....	2
C177.....	MBS-1824VDAS-C177	Flat Washer.....	M10.....	2
C178.....	MBS-1824VDAS-C178	Guide Post-Right.....		1
C179.....	TS-1524041E.....	Set Screw.....	M8x16L.....	3

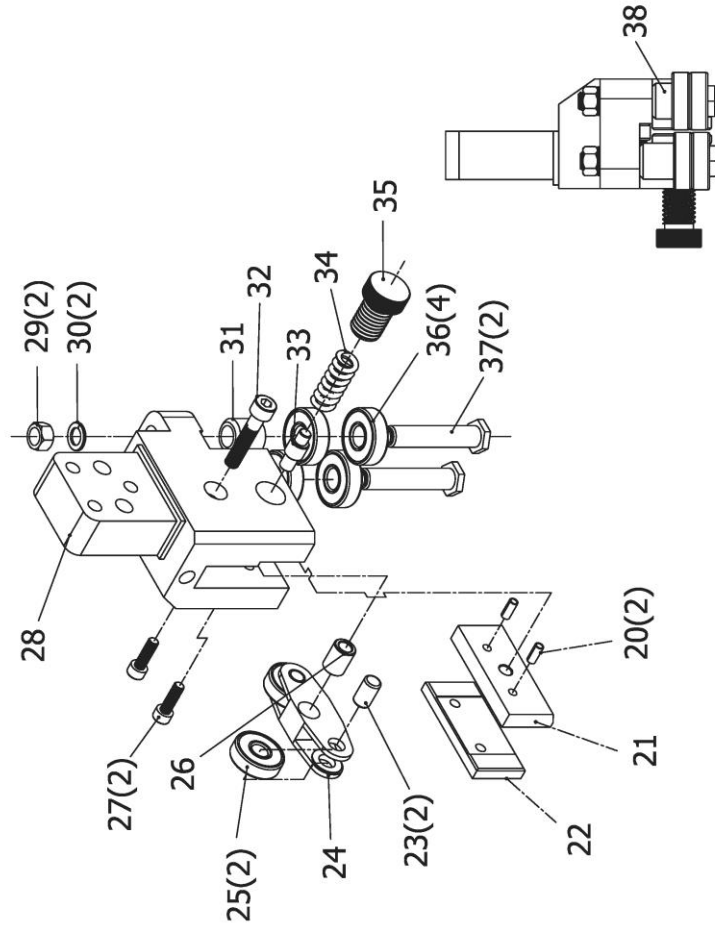
Index No.	Part No.	Description	Size	Q'ty
C180.....	MBS-1824VDAS-C180 ....	Spring Washer .....	M10 .....	4
C181.....	TS-1505041E .....	Hex. Soc Cap Screw .....	M10x30L.....	4
C182.....	MBS1824DAS-C5 .....	Drive Wheel .....		1
C183.....	MBS1824DAS-C4 .....	Driver Wheel Washer .....		1
C184.....	MBS-1824VDAS-C184 ....	Spring Washer .....	M12 .....	1
C185.....	TS-1492031E .....	Hex. Cap Bolt .....	M12x35L.....	1

# SECTION D

FRONT BEARING SEAT



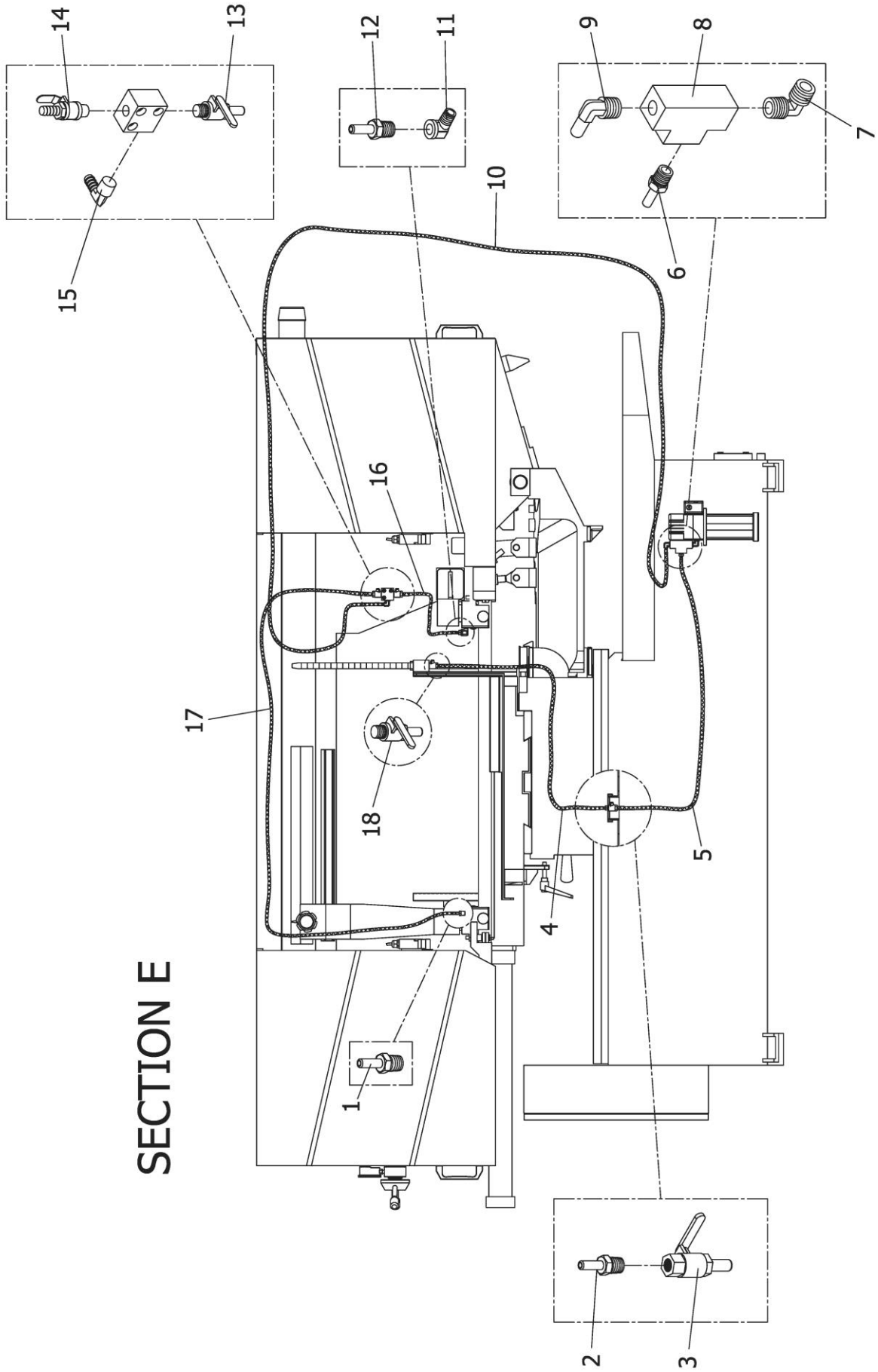
REAR BEARING SEAT



## MBS-1824VDAS Bearing Guide Assembly

Index No.	Part No.	Description	Size	Q'ty
	MBS1824DAS-FBSA	Front Bearing Seat Assembly (Included 1~19)		
D1	MBS1824DAS-D1	Bearing Long Shaft		2
D2	BB-6201ZZE	Bearing	6201	4
D3	MBS1824DAS-D3	Bearing Sleeve (Long)		1
D4	MBS1824DAS-D4	Bearing Sleeve (Short)		1
D5	MBS1824DAS-D5	Spring Washer	M10	2
D6	MBS1824DAS-D6	Nut	M10	2
D7	TS-1503051E	Hex. Socket Cap Screw	M6x20L	2
D8	MBS1824DAS-D8	Adjusting Screw		1
D9	MBS1824DAS-D9	Adjusting Spring		1
D10	MBS1824DAS-D10	Guide Pin		1
D11	TS-1504081E	Hex. Socket Cap Screw	M8x40L	1
D12	MBS1824DAS-D12	Left Guide Block		1
D13	BB-6200ZZE	Bearing	6200	2
D14	MBS1824DAS-D14	Bearing Bracket		1
D15	MBS1824DAS-D15	Shaft Sleeve		1
D16	MBS1824DAS-D16	Bracket Shaft		2
D17	MBS1824DAS-D17	Guide Carbide (LF)		1
D18	MBS1824DAS-D18	Guide Carbide (LR)		1
D19	MBS1824DAS-D19	Spring Pin	D5x12L	2
	MBS1824DAS-RBSA	Rear Bearing Seat Assembly (Included 20~38)		
D20	MBS1824DAS-D20	Spring Pin	D5x12L	2
D21	MBS1824DAS-D21	Guide Carbide (RR)		1
D22	MBS1824DAS-D22	Guide Carbide (RF)		1
D23	MBS1824DAS-D23	Bearing Shaft		2
D24	MBS1824DAS-D24	Bearing Bracket		1
D25	BB-6200ZZE	Bearing	6200	2
D26	MBS1824DAS-D26	Shaft Sleeve		1
D27	TS-1503051E	Hex. Socket Cap Screw	M6x20L	2
D28	MBS1824DAS-D28	Right Guide Block		1
D29	MBS1824DAS-D29	Nut	M10	2
D30	MBS1824DAS-D30	Spring Washer	M10	2
D31	MBS1824DAS-D31	Bearing Sleeve (Long)		1
D32	TS-1504081E	Hex. Socket Cap Screw	M8x40L	1
D33	MBS1824DAS-D33	Guide Pin		1
D34	MBS1824DAS-D34	Spring		1
D35	MBS1824DAS-D35	Adjusting Screw		1
D36	BB-6201ZZE	Bearing	6201	4
D37	MBS1824DAS-D37	Bearing Long Shaft		2
D38	MBS1824DAS-D38	Bearing Sleeve (Short)		1

# MBS-1824VDAS Coolant System



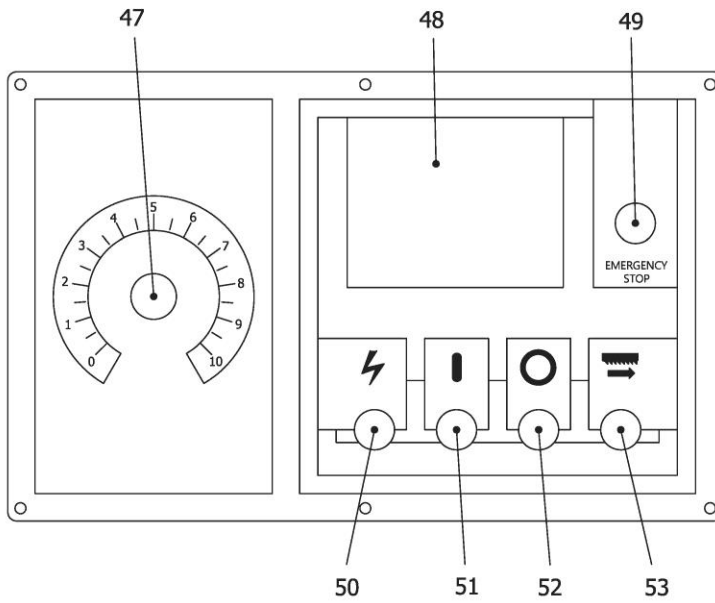
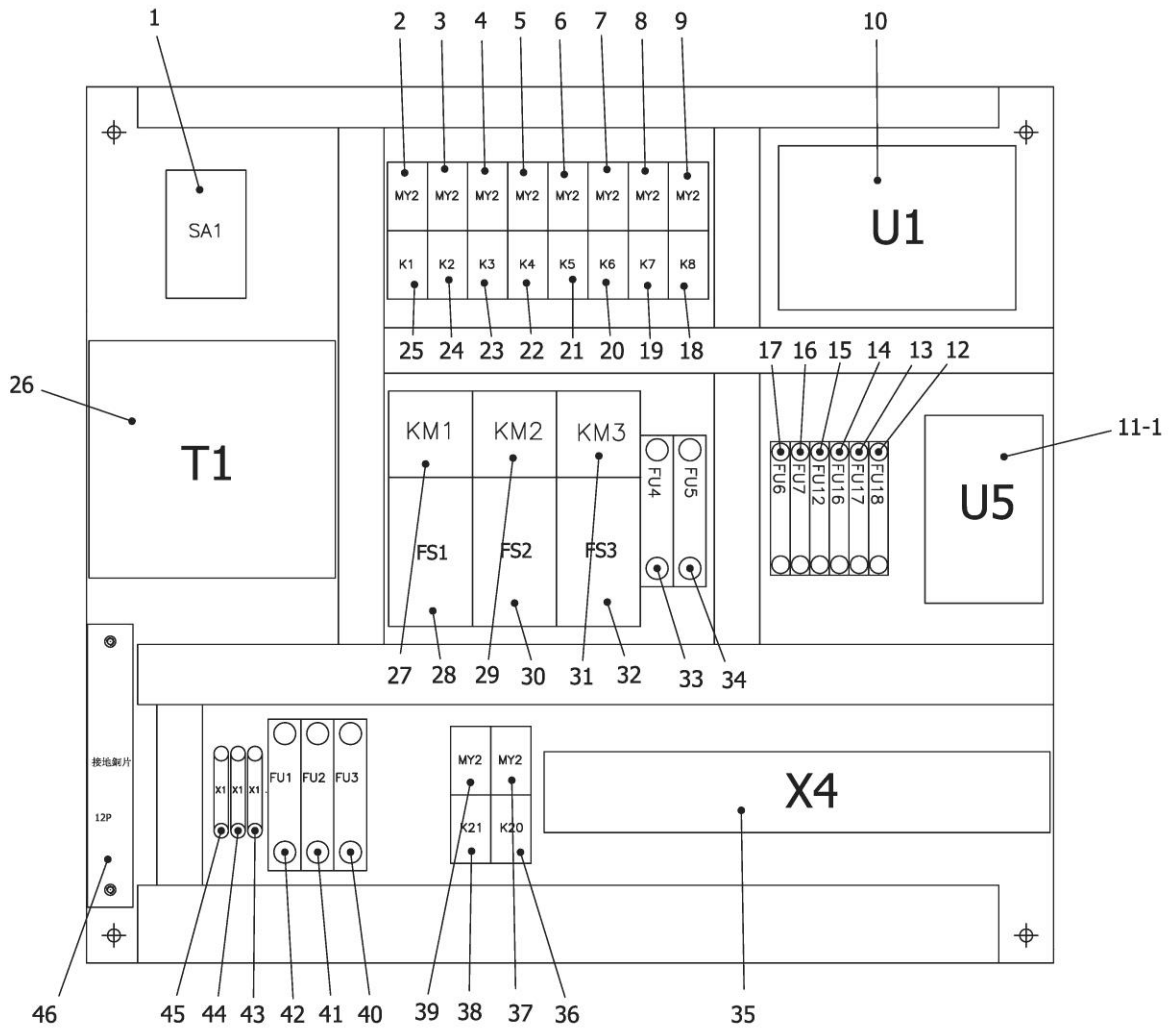


### MBS-1824VDAS Coolant System

Index No.	Part No.	Description	Size	Q'ty
E1.....	MBS-1824VDAS-E1 .....	Fitting .....	1/4PTx1/4 .....	1
E2.....	MBS-1824VDAS-E2 .....	Fitting .....	1/4PTx1/4 .....	1
E3.....	MBS-1824VDAS-E3 .....	Cock .....	1/4PTx1/4 .....	1
E4.....	MBS-1824VDAS-E4 .....	Hose .....	1/4" 1650mm .....	1
E5.....	MBS-1824VDAS-E5 .....	Hose .....	1/4" 2000mm .....	1
E6.....	MBS-1824VDAS-E6 .....	Fitting .....	3/8PT x1/4 .....	1
E7.....	MBS-1824VDAS-E7 .....	90° Elbow .....	1/2x3/8 .....	1
E8.....	MBS-1824VDAS-E8 .....	T- Joint .....	3/8PT .....	1
E9.....	MBS-1824VDAS-E9 .....	90° Elbow .....	3/8x1/4 .....	1
E10.....	MBS-1824VDAS-E10 .....	Hose .....	1/4" 4500mm .....	1
E11.....	MBS-1824VDAS-E11 .....	90° Elbow .....	1/4x1/8 .....	1
E12.....	MBS-1824VDAS-E12 .....	Fitting .....	1/4PTx1/4 .....	1
E13.....	MBS-1824VDAS-E13 .....	Cock .....	1/4PTx1/4 .....	1
E14.....	MBS-1824VDAS-E14 .....	Cock .....	1/4PTx1/4 .....	1
E15.....	MBS-1824VDAS-E15 .....	90° Elbow .....	1/4PTx1/4 .....	1
E16.....	MBS-1824VDAS-E16 .....	Hose .....	1/4" 300mm .....	1
E17.....	MBS-1824VDAS-E17 .....	Hose .....	1/4" 1800mm .....	1
E18.....	MBS-1824VDAS-E18 .....	Cock .....	1/4PTx1/4 .....	1

# MBS-1824VDAS Electrical Control Board Assembly

## SECTION F



## MBS-1824VDAS Electrical Control Board Assembly

Index No.	Part No.	Description	Size	Q'ty
F1	MBS-1824VDAS-F1	Power Switch		1
F2	MBS-1824VDAS-F2	Relay		1
F3	MBS-1824VDAS-F3	Relay		1
F4	MBS-1824VDAS-F4	Relay		1
F5	MBS-1824VDAS-F5	Relay		1
F6	MBS-1824VDAS-F6	Relay		1
F7	MBS-1824VDAS-F7	Relay		1
F8	MBS-1824VDAS-F8	Relay		1
F9	MBS-1824VDAS-F9	Relay		1
F10	MBS-1824VDAS-F10	PLC	VS1-28MR	1
F11-1	MBS-1824VDAS-F11-1	Power Supply		1
F12	MBS-1824VDAS-F12	Fuse	500mA	1
F13	MBS-1824VDAS-F13	Fuse	500mA	1
F14	MBS-1824VDAS-F14	Fuse	1A	1
F15	MBS-1824VDAS-F15	Fuse	3.15A	1
F16	MBS-1824VDAS-F16	Fuse	1.6A	1
F17	MBS-1824VDAS-F17	Fuse	5A	1
F18	MBS-1824VDAS-F18	Relay Seat		1
F19	MBS-1824VDAS-F19	Relay Seat		1
F20	MBS-1824VDAS-F20	Relay Seat		1
F21	MBS-1824VDAS-F21	Relay Seat		1
F22	MBS-1824VDAS-F22	Relay Seat		1
F23	MBS-1824VDAS-F23	Relay Seat		1
F24	MBS-1824VDAS-F24	Relay Seat		1
F25	MBS-1824VDAS-F25	Relay Seat		1
F26	MBS-1824VDAS-F26	Transformer	0V 400V 567VA	1
F27	MBS1824DAS-F7	Blade Magnetic Switch	C-18D	1
F28	MBS-1824VDAS-F28	Blade Motor Overload Relay		1
F29	MBS-1824VDAS-F29	Hydraulic Motor Contactor		1
F30	MBS-1824VDAS-F30	Hydraulic Motor Overload Relay		1
F31	MBS-1824VDAS-F31	Coolant Pump Contactor		1
F32	MBS-1824VDAS-F32	Coolant Pump Overload Relay		1
F33	MBS-1824VDAS-F33	Fuse	2A	1
F34	MBS-1824VDAS-F34	Fuse	2A	1
F35	MBS-1824VDAS-F35	Terminal Seat		1
F36	MBS-1824VDAS-F36	Relay Seat		1
F37	MBS-1824VDAS-F37	Relay		1
F38	MBS-1824VDAS-F38	Relay Seat		1
F39	MBS-1824VDAS-F39	Relay		1
F40	MBS-1824VDAS-F40	Fuse	16A	1
F41	MBS-1824VDAS-F41	Fuse	16A	1
F42	MBS-1824VDAS-F42	Fuse	16A	1
F43	MBS-1824VDAS-F43	Fuse		1
F44	MBS-1824VDAS-F44	Fuse		1
F45	MBS-1824VDAS-F45	Fuse		1
F46	MBS-1824VDAS-F46	Earth Connection Block		1
F47	MBS-1824VDAS-F47	Down Speed Valve Knob		1
F48	MBS-1824VDAS-F48	Hmi Control Panel		1
F49	MBS-1824VDAS-F49	Emergency Stop		1
F50	MBS-1824VDAS-F50	Power Indicator		1
F51	MBS-1824VDAS-F51	Hydraulic Start Button		1
F52	MBS-1824VDAS-F52	Stop Cutting Button		1
F53	MBS-1824VDAS-F53	Start Blade Button		1

# MBS-1824VDAS ...50000322T ... 3~400V, 50Hz

## Control Circuit Diagram

