



**MBS-1012CNC**

**CNC MITER METALWORKING  
BANDSAW**

**MBS-1012CNC..... 3~400V, 50Hz**

## **PARTS LIST**

**JPW Tool Group Hong Kong Limited**

98 Granville Road, Tsimshatsui East, Kowloon, Hong Kong, PRC

[www.jettools.com](http://www.jettools.com)

**Импортер в РФ: ООО «ИТА Технолоджи»**

105082, Москва, Переведеновский пер., д. 17

[www.jettools.ru](http://www.jettools.ru)

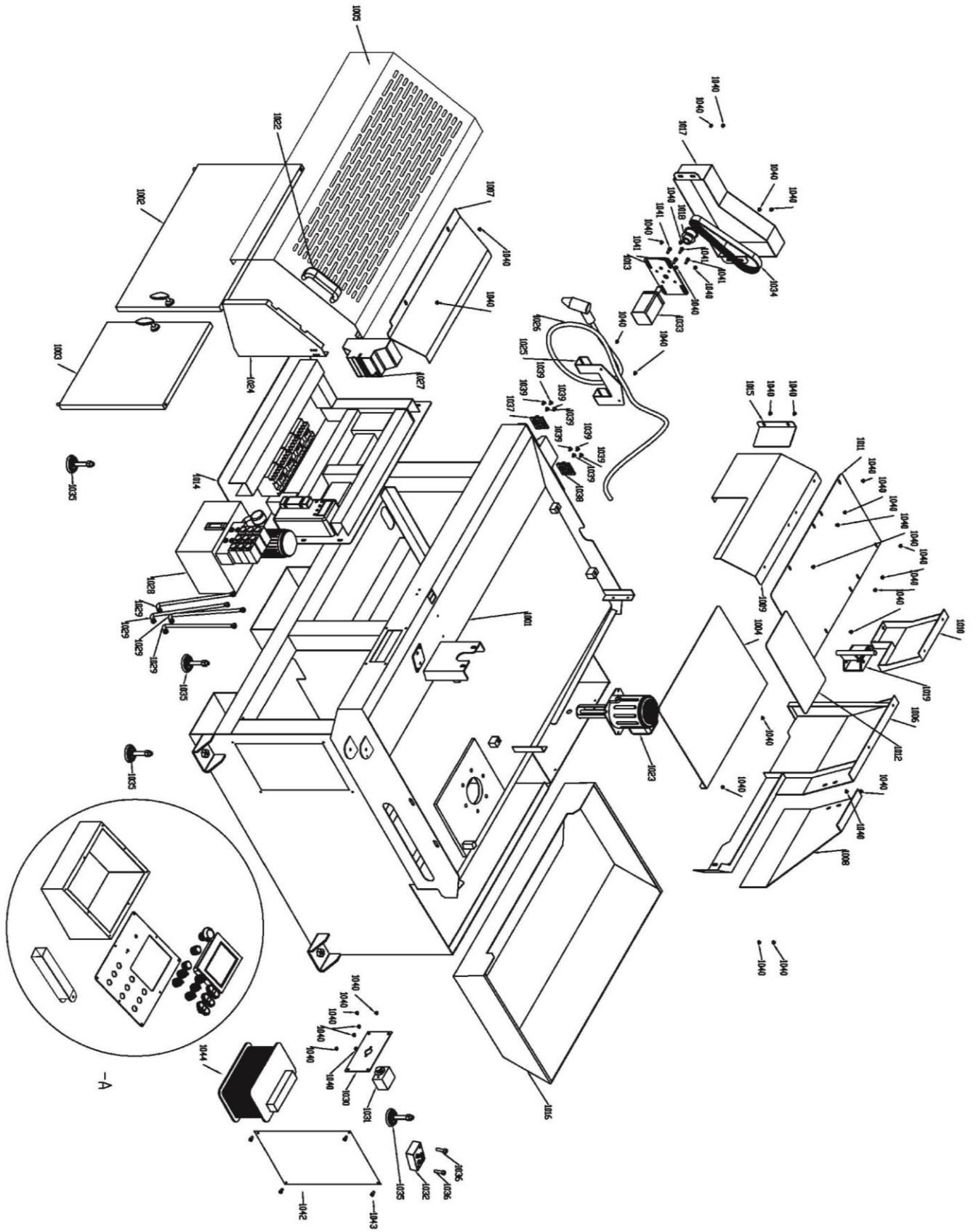


**Made in Taiwan / Сделано на Тайване**

50000362T

2023-07

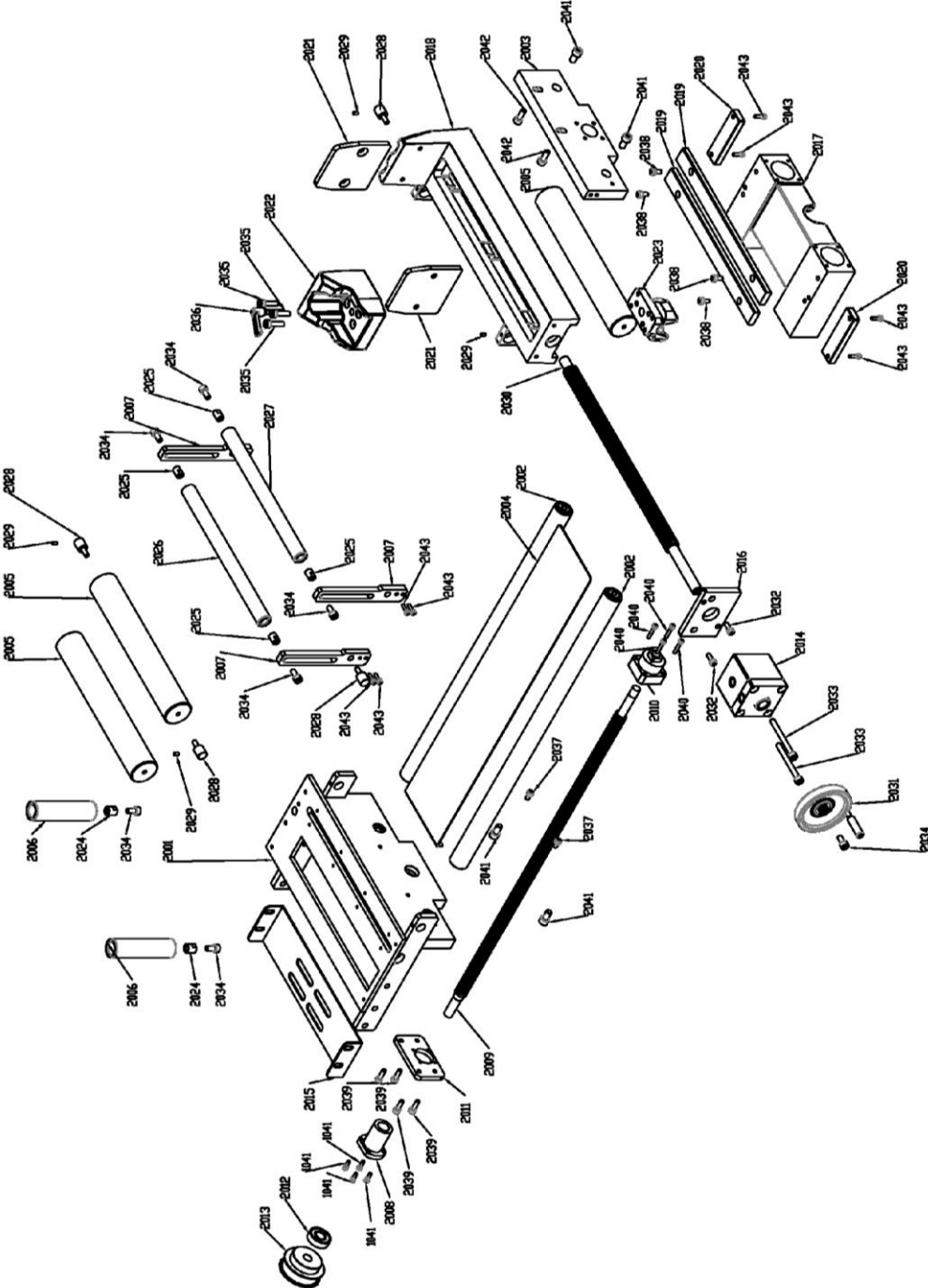
MBS-1012 CNC Stand Assembly breakdown



## MBS-1012 CNC Stand Assembly Part List

Index No.	Part No.	Description	Size	Qty
1001	MBS1012-1001	Base		1
1002	MBS1012-1002	Front Door		1
1003	MBS1012-1003	Front Door (Small)		1
1004	MBS1012-1004	Water Tide Cover		1
1005	MBS1012-1005	Activity Cover		1
1006	MBS1012-1006	Cover A		1
1007	MBS1012-1007	Cover B		1
1008	MBS1012-1008	Cover C		1
1009	MBS1012-1009	Cover D		1
1010	MBS1012-1010	Cover E		1
1011	MBS1012-1011	Cover F		1
1012	MBS1012-1012	Cover G		1
1013	MBS1012-1013	Motor Connect Plate		1
1014	MBS1012-1014	Electric Control Plate		1
1015	MBS1012-1015	Feed Baffle		1
1016	MBS1012-1016	Tank		1
1017	MBS1012-1017	Transmission Cover		1
1018	MBS1012-1018	Pulley		1
1019	MBS1012-1019	Feed Group of Jumpers		1
1022	MBS1012-1022	Handle		1
1023	MBS1012-1023	Pump	1/6HP 3PH 220/380	1
1024	MBS1012-1024	Activities Cover Side Panel		1
1025	MBS1012-1025	Water Pipe Support		1
1026	MBS1012-1026	Pipe		1
1027	MBS1012-1027	Inverter	400V 750W	1
1028	MBS1012-1028	Oil Pump Set	400V	1
1029	MBS1012-1029	Hydraulic Pipe		4
1030	MBS1012-1030	Regulating Valve Set		1
1031	MBS1012-1031	Adjustable Aluminum Block		1
1032	MBS1012-1032	Hydraulic Block	63.5x38.1x100	1
1033	MBS1012-1033	Pulley Serve Motor		1
1034	MBS1012-1034	Belt	S8M-584-20	1
1035	MBS1012-1035	Pad	DK-812075C	4
1036	MBS1012-1036	Screw	M8_L30	2
1037	MBS1012-1037	Zinc Alloy Hinges	AZ-2510B	1
1038	MBS1012-1038	Zinc Alloy Hinges	AZ-2510B	1
1039	MBS1012-1039	Socket Head Flat Screw	M6_L6	8
1040	MBS1012-1040	Socket Pan Head Screw	M6_L6	34
1041	MBS1012-1041	Socket Head Cap Screw	M6_L16	8
1042	MBS1012-1042	Plate		1
1043	MBS1012-1043	Screw	M6x12	1
1044	MBS1012-1044	Transformer		1

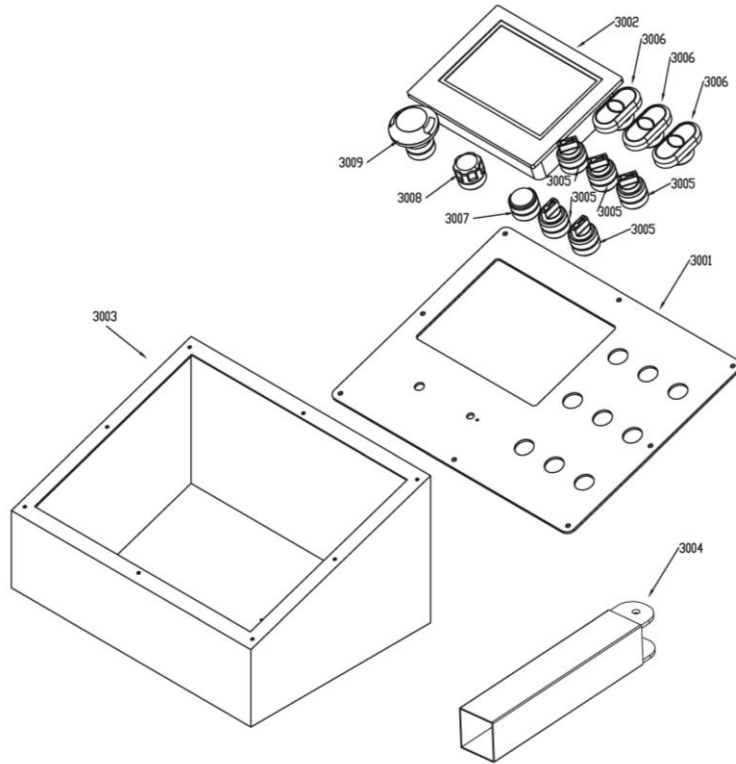
MBS-1012 CNC Transmission Mechanical Assembly Breakdown



## MBS-1012 CNC Transmission Mechanical Assembly Part List

Index No.	Part No.	Description	Size	Qty
2001	MBS1012-2001	Vise Moving Set - Left Fixed Plate		1
2001*1	MBS1012-2001-1	Feed Fixed Left Board		1
2002	MBS1012-2002	Axis		2
2003	MBS1012-2003	Feed Fixed Right Board		1
2004	MBS1012-2004	Feed Chip Plate		1
2005	MBS1012-2005	Roller		3
2006	MBS1012-2006	Platen		2
2007	MBS1012-2007	Roller Wheel Bracket		3
2008	MBS1012-2008	Ball Screw Sleeve		1
2009	MBS1012-2009	Ball Screw		1
2010	MBS1012-2010	Screw Support Seat		1
2011	MBS1012-2011	Ball Screw Fixed Plate		1
2012	MBS1012-2012	Bearing	6204	1
2013	MBS1012-2013	Belt		1
2014	MBS1012-2014	Clamping Hydraulic Jigs		2
2015	MBS1012-2015	Material Support Connect Plate		1
2016	MBS1012-2016	Hydraulic Fixed Plate		2
2017	MBS1012-2017	Moving Seat		1
2017A	MBS1012-2017A	Sleeve	52*60*41	2
2017B	MBS1012-2017B	Oil Seal Fixed Plate	2T*70*70	4
QX KH4060	BBKH4060	Bearing	KH4060	4
UZ036	MBS1012-UZ036	Dustproof oil Seal	GA 40*50*5/7	4
2018	MBS1012-2018	Vise Down Seat		1
2018A	MBS1012-2018A	Switch Fixed Plate	3T*52*50	4
2018B	MBS1012-2018B	Limit Switch		4
2018C	MBS1012-2018C	Screw		
2018D	MBS1012-2018D	Main Wire Support Frame		1
2019	MBS1012-2019	Clamp Block Skateboard	16x38x420	2
2020	MBS1012-2020	Vise Feed Block	16x38x128	2
2021	MBS1012-2021	Vise Plate		2
2022	MBS1012-2022	Vise Up Seat		2
2023	MBS1012-2023	Vise Connect Seat		2
2024	MBS1012-2024	Slide Nut	20*20	2
2025	MBS1012-2025	Slide Nut	20*20	4
2026	MBS1012-2026	Moving Up Roller Seat	28*370	1
2027	MBS1012-2027	Fixed Up Roller Seat	28*410	1
2028	MBS1012-2028	Platen Bushing		4
2029	MBS1012-2029	Screw	M6x L10	4
2030	MBS1012-2030	Vise Screws		1
2030A	MBS1012-2030A	Vise Screws		1
2031	MBS1012-2031	Handle Wheel		2
2031*1	MBS1012-2031-1	Handle	HL-80A 80mm	2
2032	MBS1012-2032	Socket Head Cap Screw	M8x L20	4
2033	MBS1012-2033	Socket Head Cap Screw	M10x L100	4
2034	MBS1012-2034	Socket Head Cap Screw	M10x L20	8
2035	MBS1012-2035	Socket Head Cap Screw	M10x L35	6
2036	MBS1012-2036	Elastic Screwdriver	M10x L45	3
2037	MBS1012-2037	Socket Head Cap Screw	M8x L12	2
2038	MBS1012-2038	Socket Head Cap Screw	M8x L16	4
2039	MBS1012-2039	Socket Head Cap Screw	M8x L25	4
2040	MBS1012-2040	Socket Head Cap Screw	M6x L30	4
2041	MBS1012-2041	Socket Head Cap Screw	M12x L20	4
2042	MBS1012-2042	Socket Head Cap Screw	M10xL25	2
2043	MBS1012-2043	Socket Head Cap Screw	M6xL20	12

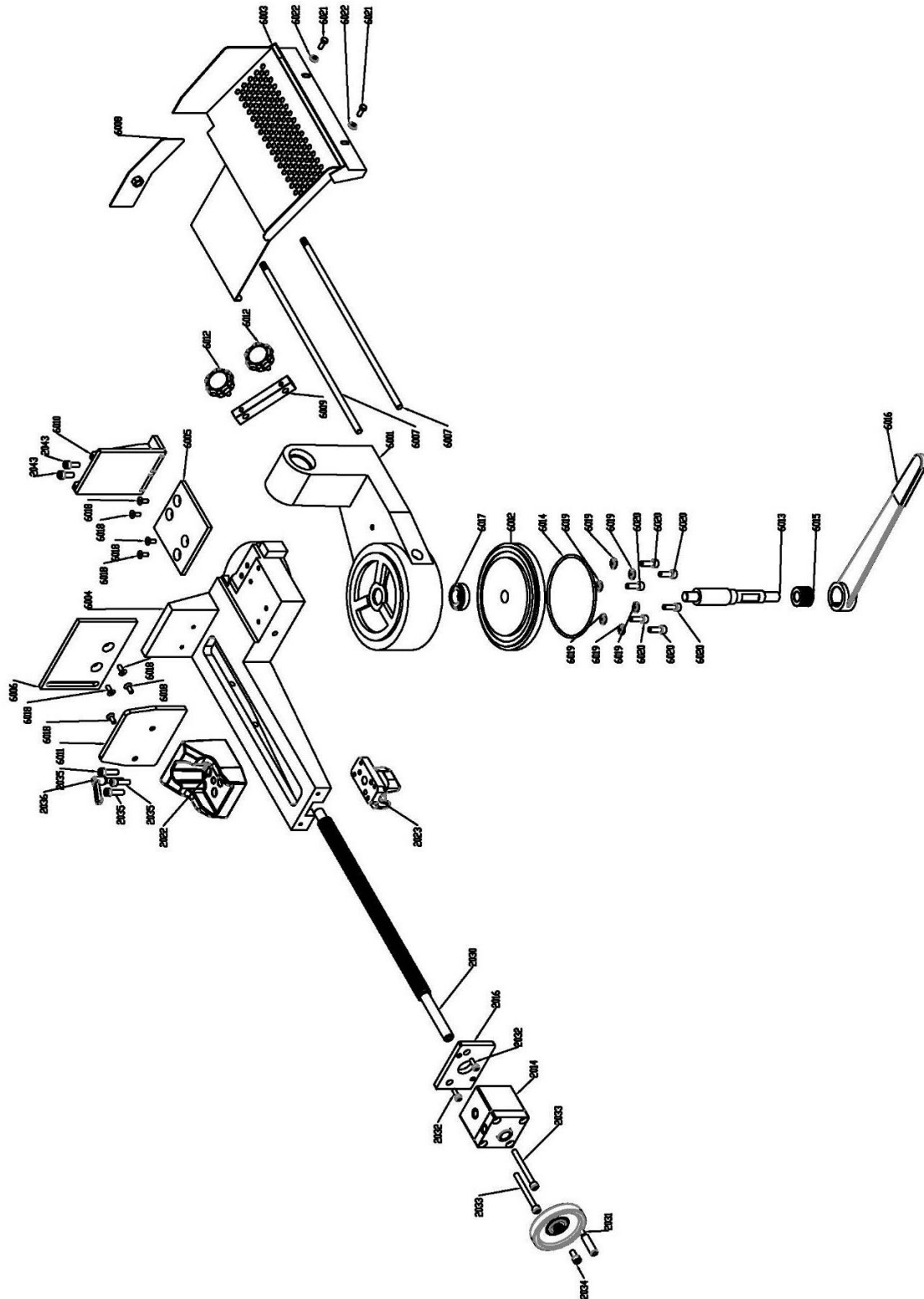
## MBS-1012 CNC Control panel Assembly Breakdown



### MBS-1012 CNC Control Panel Assembly Part List

Index No.	Part No.	Description	Size	Qty
3001	MBS1012-3001	Electronic Control Panel		1
3002	MBS1012-3002	Touch Panel		1
3003	MBS1012-3003	Electronic Control Box Base		1
3004	MBS1012-3004	Rubber Wheel	4"x1-1/4"	4
3005	MBS1012-3005	Switch Knob		3
3006	MBS1012-3006	Oval Switch Button		3
3007	MBS1012-3007	Power Switch Button		1
3008	MBS1012-3008	Adjustment Knob		1
3009	MBS1012-3009	Stop Knob		1

# MBS-1012 CNC Vise clamping Assembly Breakdown

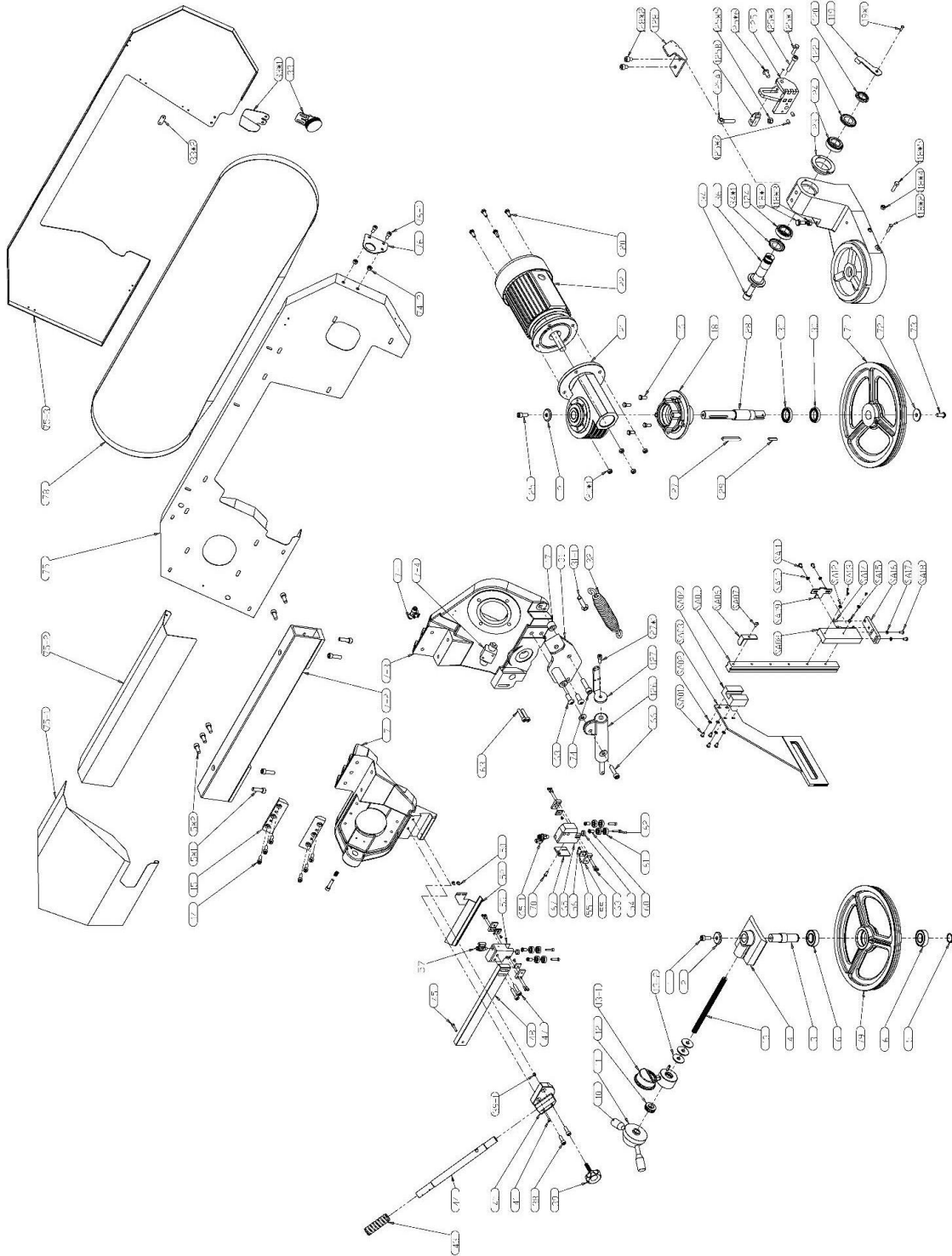


## MBS-1012 CNC Vise clamping Assembly Part List

Index No.	Part No.	Description	Size	Qty
2014	MBS1012-2014	Clamping Hydraulic Jigs		1
2016	MBS1012-2016	Hydraulic Fixed Plate		1
2022	MBS1012-2022	Vise Up Seat		1
2023	MBS1012-2023	Vise Connect Seat		1
2030	MBS1012-2030	Vise Screws		1
2030A	MBS1012-2030A	Vise Screws		1
2031	MBS1012-2031	Handle Wheel		1
2032	MBS1012-2032	Socket Head Cap Screw	M8x L20	1
2033	MBS1012-2033	Socket Head Cap Screw	M10x L100	2
2034	MBS1012-2034	Socket Head Cap Screw	M10x L20	2
2035	MBS1012-2035	Socket Head Cap Screw	M10x L35	3
2036	MBS1012-2036	Elastic Screwdriver	M10x L45	1
2043	MBS1012-2043	Socket Head Cap Screw	M6x L20	2
6001	MBS1012-6001	Swivel Seat		1
6002	MBS1012-6002	Swive Plate		1
6003	MBS1012-6003	Guide Frame		1
6004	MBS1012-6004	Clamping Seat		1
6005	MBS1012-6005	Material Support Plate	10T*132*140	1
6006	MBS1012-6006	Right Vise Plate		1
6007	MBS1012-6007	Fixed Rod	(M12) 500L	2
6008	MBS1012-6008	Guide Plate		1
6009	MBS1012-6009	Located Block	31.8x19.1x112	1
6010	MBS1012-6010	Vise Baffle		1
6011	MBS1012-6011	Left Rear Vise Plate		1
6012	MBS1012-6012	Screw		2
6013	MBS1012-6013	Main Shaft		1
6014	MBS1012-6014	O Ring	G-165	1
6015	MBS1012-6015	Nut	50*25mm T24*3.0	1
6016	MBS1012-6016	Handle		1
6018	MBS1012-6018	Socket Head Flat Screw	M8x L20	8
6019	MBS1012-6019	Washer	M10x D22x D10x T2	6
6020	MBS1012-6020	Socket Head Cap Screw	M10x L30	6
6021	MBS1012-6021	Hex Cap Screw	M8x L20	2
6022	MBS1012-6022	Washer	M8x D18x D8x T2	2



# MBS-1012 CNC Bow Assembly Breakdown



## MBS-1012 CNC Bow Assembly Part List

Index No.	Part No.	Description	Size	Qty
1	MBS1012-01	Hex Cap Screw	M10x25	1
2	MBS1012-02	Washer	40x40.2x5	2
3	MBS1012-03	Shaft		1
4	MBS1012-04	Anchor Block		1
5	MBS1012-05	C- Ring	C-25	1
5*1	MBS1012-05-1	Socket Head Cap Screw	M10x35	4
5*2	MBS1012-05-2	Socket Head Cap Screw	M10x25	5
6	MBS1012-06	Bearing	6205	2
7	MBS1012-07	Left Body Frame		1
7-1	MBS1012-07-1	Pipe Connect	SPE06	1
7-2	MBS1012-07-2	Pipe Connect For Body Frame	50x100x730	1
7-3	MBS1012-07-3	Right Body Frame		1
7-4	MBS1012-07-4	Aluminum Set		1
10	MBS1012-10	Knob		2
11	MBS1012-11	Blade Tension Handle		1
12	MBS1012-12	Bearing	51203	1
13	MBS1012-13	Lead Screw		1
13-1	MBS1012-13-1	Tention Gauge		1
13-2	MBS1012-13-2	Washer	M16	3
14	MBS1012-14	Hex. Cap Screw	M8X25L	6
15	MBS1012-15	Fixed Block		2
16	MBS1012-16	Hex Cap Screw	M8x40	4
17	MBS1012-17	Bushing	20x25	1
18	MBS1012-18	Reducer Block		1
20	MBS1012-20	Screw	M8x25	4
20*1	MBS1012-20-1	Nut	M8	4
21	MBS1012-21	Reducer	40:01:00	1
22	MBS1012-22	Motor	1.5HP 400v 3ph	1
25	MBS1012-25	Hex Cap Screw	M10x25	1
27	MBS1012-27	Key	8x7x70	1
28	MBS1012-28	Output Shaft		1
29	MBS1012-29	Key	7x7x30	1
30	MBS1012-30	Bearing	6906	2
31	MBS1012-31	Spring Holder		1
31*1	MBS1012-31-1	Spring Holder Screw		1
32	MBS1012-32	Spring	615x23	1
33	MBS1012-33	Steel Brush Support Assembly		1
33*1	MBS1012-33-1	Blade Cover		1
33*2	MBS1012-33-2	Brush Holder		1
34	MBS1012-34	Socket Head Cap Screw	M16x40	1
34*1	MBS1012-34-1	Bearing Cover		1
35	MBS1012-35	Spring Washer		2
36	MBS1012-36	Frame Pivot Shaft		1
38	MBS1012-38	Socket Head Cap Screw	M8x25	2
39	MBS1012-39	Screw	8x20	1
39-1	MBS1012-39-1	Copper	6x25	1
40	MBS1012-40	Fixed Block		1
41	MBS1012-41	Set Screw	M8x8	2
45	MBS1012-45	Screw	M8x20	1
47	MBS1012-47	Screw	M8x35	2
48	MBS1012-48	Blade Adjust Stick		1
50	MBS1012-50	Screw	M5x10	2
52	MBS1012-52	Blade Cover (Front)		1
53	MBS1012-53	Blade Adjust (Front)		1
54	MBS1012-54	Guide		2
55	MBS1012-55	Guide Holder		4
55-1	MBS1012-55-1	Guide		4
56	MBS1012-56	Screw	M4x8	4
57	MBS1012-57	Valve		2
60	MBS1012-60	Eccentric Guide		4

Index No.	Part No.	Description	Size	Qty
61	MBS1012-61	Bearing	608	8
62	MBS1012-62	Screw	5x15	4
63	MBS1012-63	Capscrew	M8x40	10
65	MBS1012-65	Spring Washer		1
65-1	MBS1012-65-1	Blade Adjustable (Rear)	1/8.M6.90°	2
66	MBS1012-66	Valve	CAP M12*60	1
67	MBS1012-67	Chip Plate		1
68	MBS1012-68	Socket Pan Head Screw	12x30	2
70	MBS1012-69	Screw	M5	1
71	MBS1012-70	Drive Wheel		1
72	MBS1012-71	Washer	40x10.2x5	1
73	MBS1012-73	Socket Pan Head Screw	M10x25	1
74	MBS1012-74	Socket Head Cap Screw	M12x45	1
74-2	MBS1012-74-2	Nut	M8 x13	2
75	MBS1012-75	Blade Back Cover		1
75-1	MBS1012-75-1	Blade Left Cover		1
75-2	MBS1012-75-2	Blade Up Cover		1
75-3	MBS1012-75-3	Blade Down Cover		1
76	MBS1012-76	Wire Fixed Board		1
76-1	MBS1012-76-1	Hex Cap Screw	M8x16	2
78	MBS1012-78	Saw Blade	2965x27x0.9	1
79	MBS1012-79	Idler Wheel		1
118	MBS1012-118	Miter Plate		1
118*1	MBS1012-118-1	Hex Cap Screw	M10x20	2
118*2	MBS1012-118-2	Oil Head	10x1.0	1
118*3	MBS1012-118-3	Nut	M10	2
118*4	MBS1012-118-4	Nut	M8	1
118*5	MBS1012-118-5	Hex Cap Screw	M8*30	1
119	MBS1012-119	Breaking Eletronic Board		1
119*1	MBS1012-119-1	Hex Cap Screw	M8x20	1
120	MBS1012-120	Nylon Nut	M30x1.5P	1
122	MBS1012-122	Anti-Chip Cover		1
123	MBS1012-123	Bushing		1
124	MBS1012-124	Bearing	32006	2
125	MBS1012-125	Cylinder Support		1
125A	MBS1012-125A	Spring Holder		1
125B	MBS1012-125B	Spring Support		1
125*1	MBS1012-125-1	Hex Cap Screw	M 8x25	1
125*2	MBS1012-125-2	Hex Cap Screw	M12x70	1
125*4	MBS1012-125-4	Pin	D6x30	2
125*5	MBS1012-125-5	Nut	M10	1
125*6	MBS1012-125-6	Socket Pan Head Screw	M12x30	1
126	MBS1012-126	Clinder		1
127	MBS1012-127	Oil House Suppot Plate		1
127*1	MBS1012-127-1	Socket Head Cap Screw	M8x25	1
128	MBS1012-128	Switch Board		1
128*2	MBS1012-128-2	Hex Cap Screw	M10x30	2
SA01	MBS1012-SA01	Socket Pan Head Screw		4
SA02	MBS1012-SA02	Washer		4
SA03	MBS1012-SA03	Rod Stop Bar		1
SA04	MBS1012-SA04	Liner Slide Plate		1
SA05	MBS1012-SA05	Liner Slide		1
SA06	MBS1012-SA06	Liner Slide Board		1
SA07	MBS1012-SA07	Socket Pan Head Screw		1
SA08	MBS1012-SA08	Liner Slide Suppot		1
SA09	MBS1012-SA09	Rod Stop Bar Plate		1
SA10	MBS1012-SA10	Washer		2
SA11	MBS1012-SA11	Socket Pan Head Screw		2
SA12	MBS1012-SA12	Washer		2
SA13	MBS1012-SA13	Socket Pan Head Screw		2
SA14	MBS1012-SA14	Socket Pan Head Screw		2
SA15	MBS1012-SA15	Washer		2
SA16	MBS1012-SA16	Liner Slide Set Board		1

Index No.	Part No.	Description	Size	Qty
SA17	MBS1012-SA17	Washer		2
SA18	MBS1012-SA18	Socket Pan Head Screw		2

# MBS-1012 CNC...50000362T.... 3~400V, 50Hz

## Control Circuit Diagram

